

MARTIN F.M. GRUMMER
ARCHITECT
131 WILKESLEY PLACE NE
ALBUQUERQUE, NEW MEXICO 87108
(505) 265-2507



PETERSON PROPERTIES

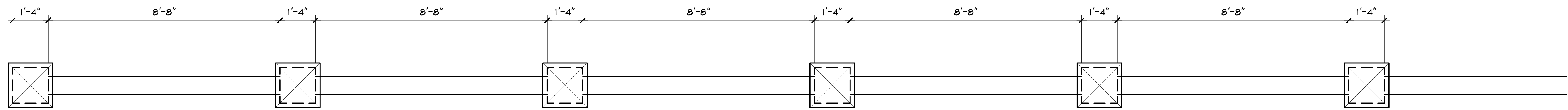
CENTRAL MERCADO
CENTRAL & SAN PEDRO SE
ALBUQUERQUE, NM 87108

WALL DETAILS

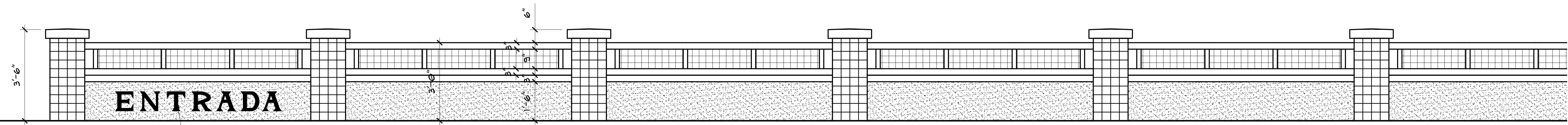
DATE: 22 DEC 2020
DRAWN BY: MFMG
CHECKED BY:
VERIFIED BY:

REVISIONS

SHEET NO:
A2.3

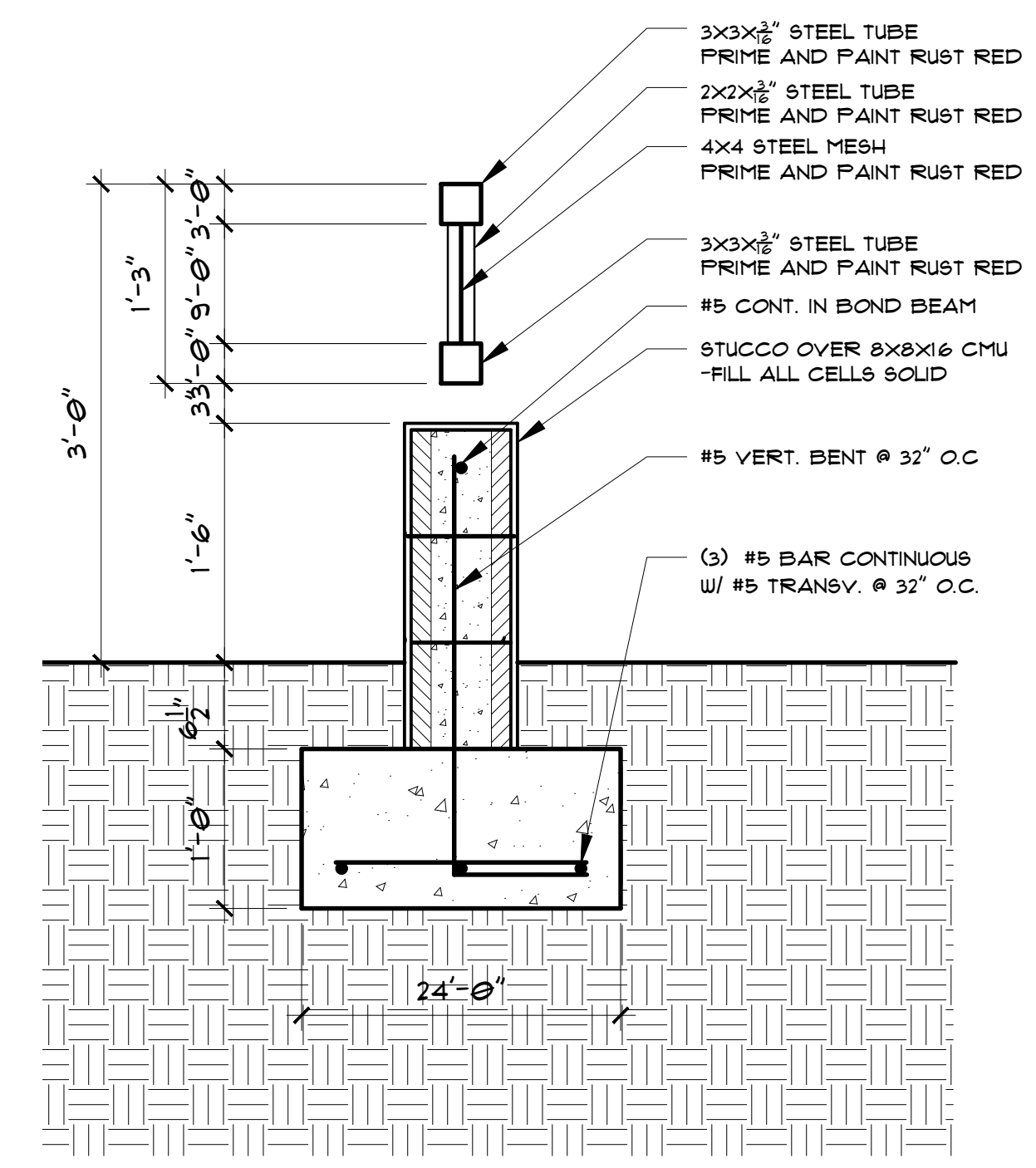


PLAN

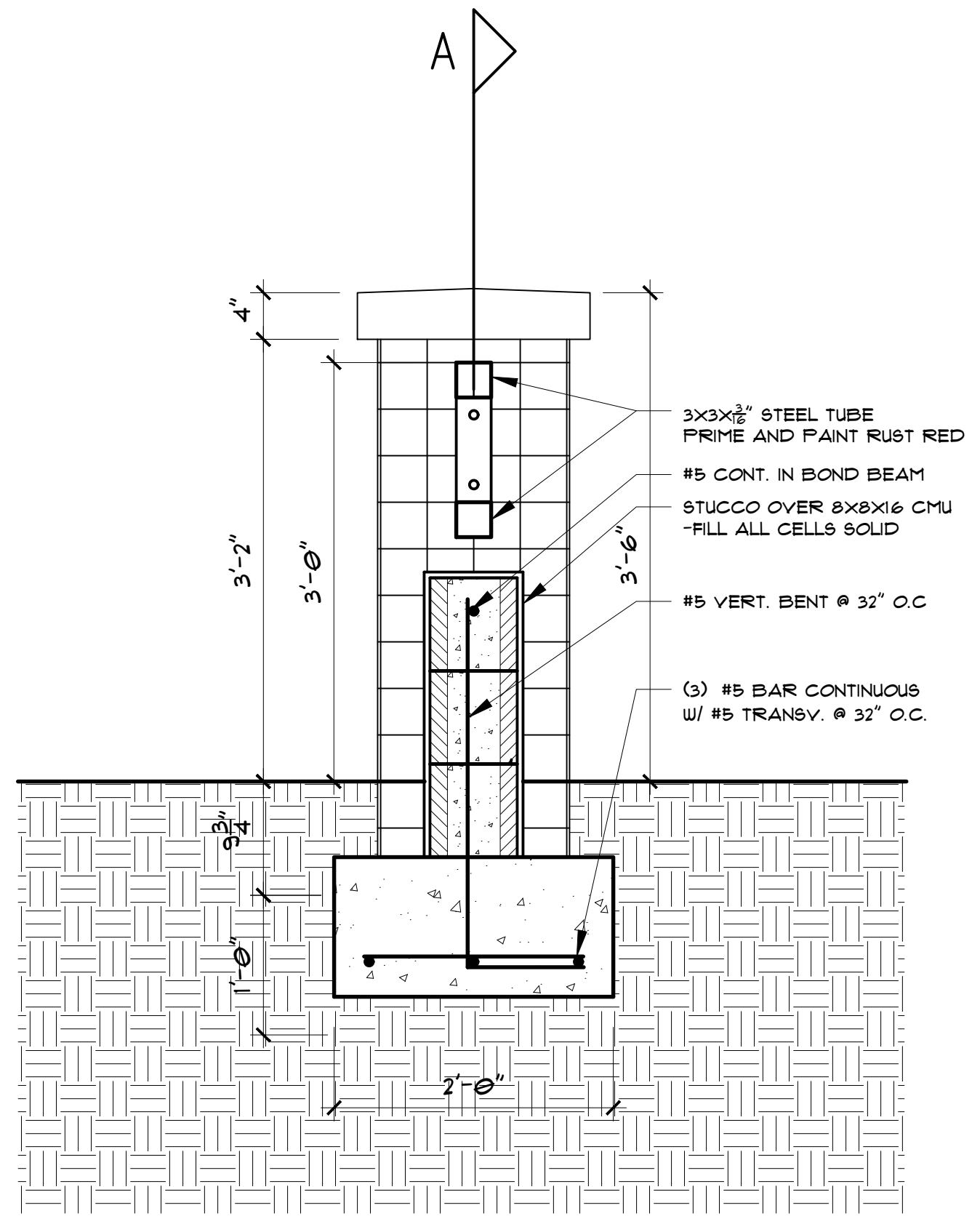


WALL ELEVATION

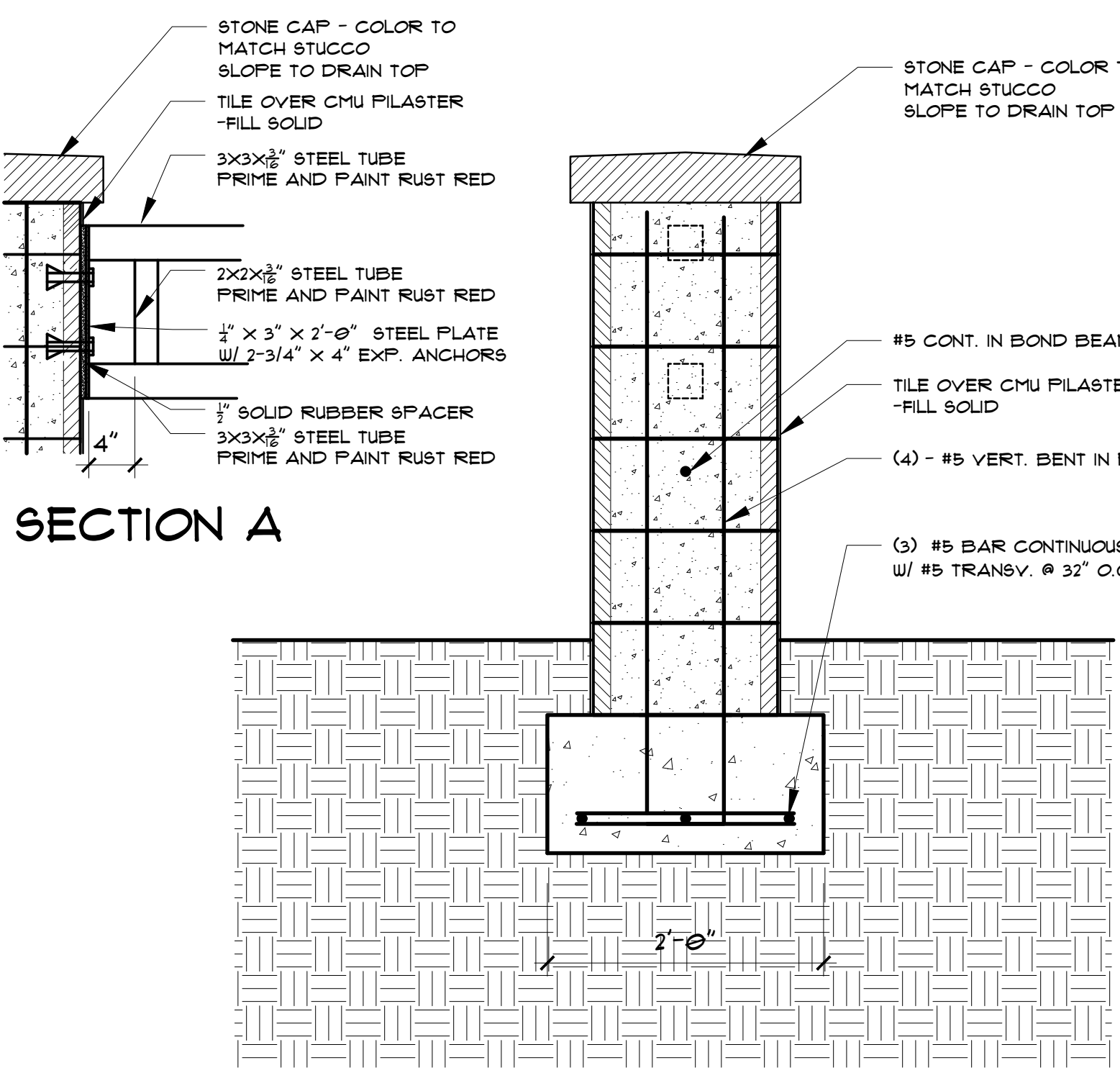
1/2" = 1'-0"



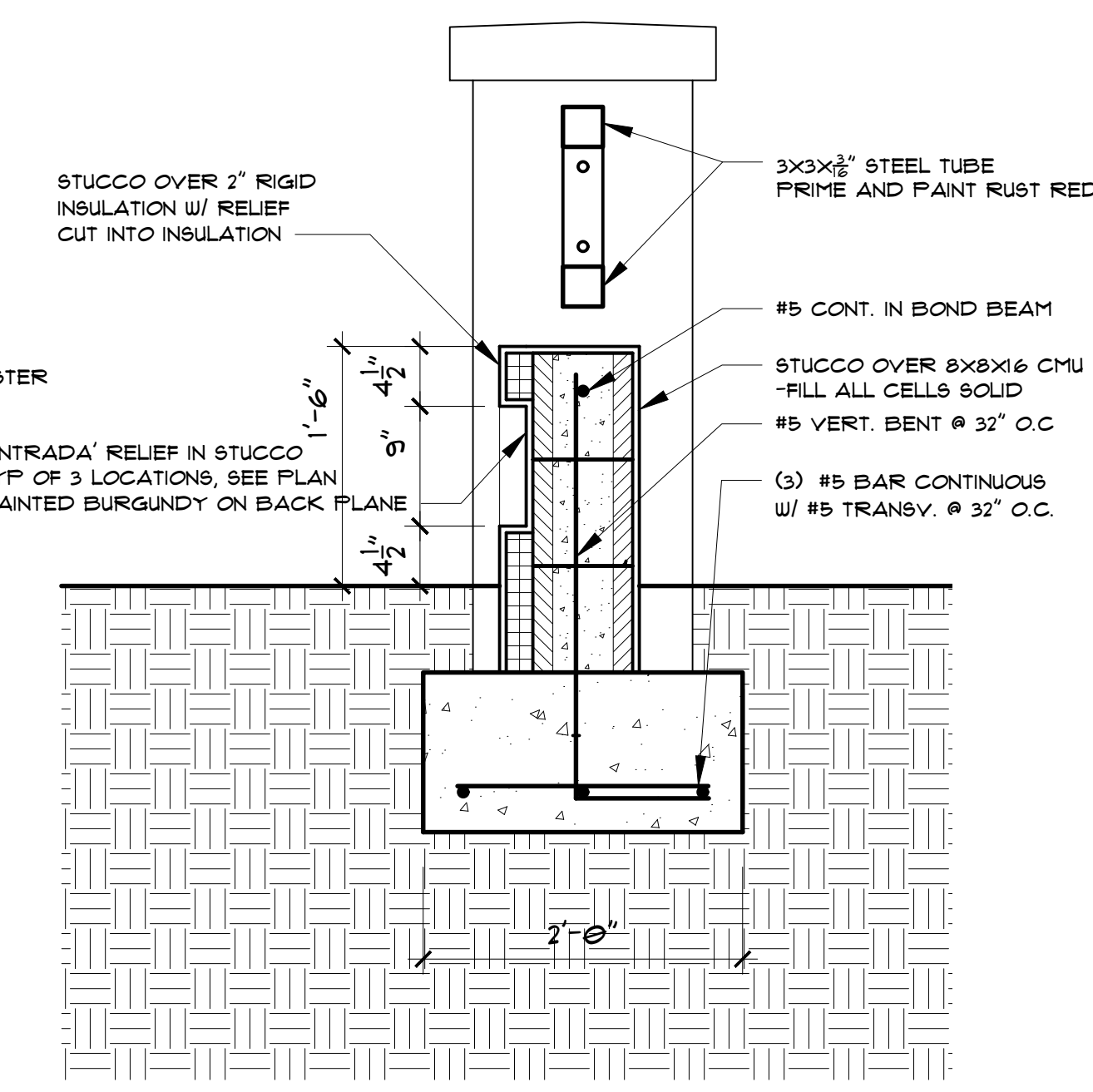
WALL SECTION 1" = 1'-0"



WALL SECTION 1" = 1'-0"



WALL SECTION 1" = 1'-0"



WALL SECTION 1" = 1'-0"

FINISH SCHEDULE
FIELD TILE - 4.25x4.25 RED TALAVERA MEXICAN TILE
STUCCO - WHITE TO MATCH CENTER U.N.O.

ALL DIMENSIONS ARE TO BE FIELD VERIFIED. IF THERE ARE DISCREPANCIES, PLEASE NOTIFY THE ARCHITECT. DRAWING ARE NOT TO BE SCALED. USE DIMENSIONS FOR ACCURACY.