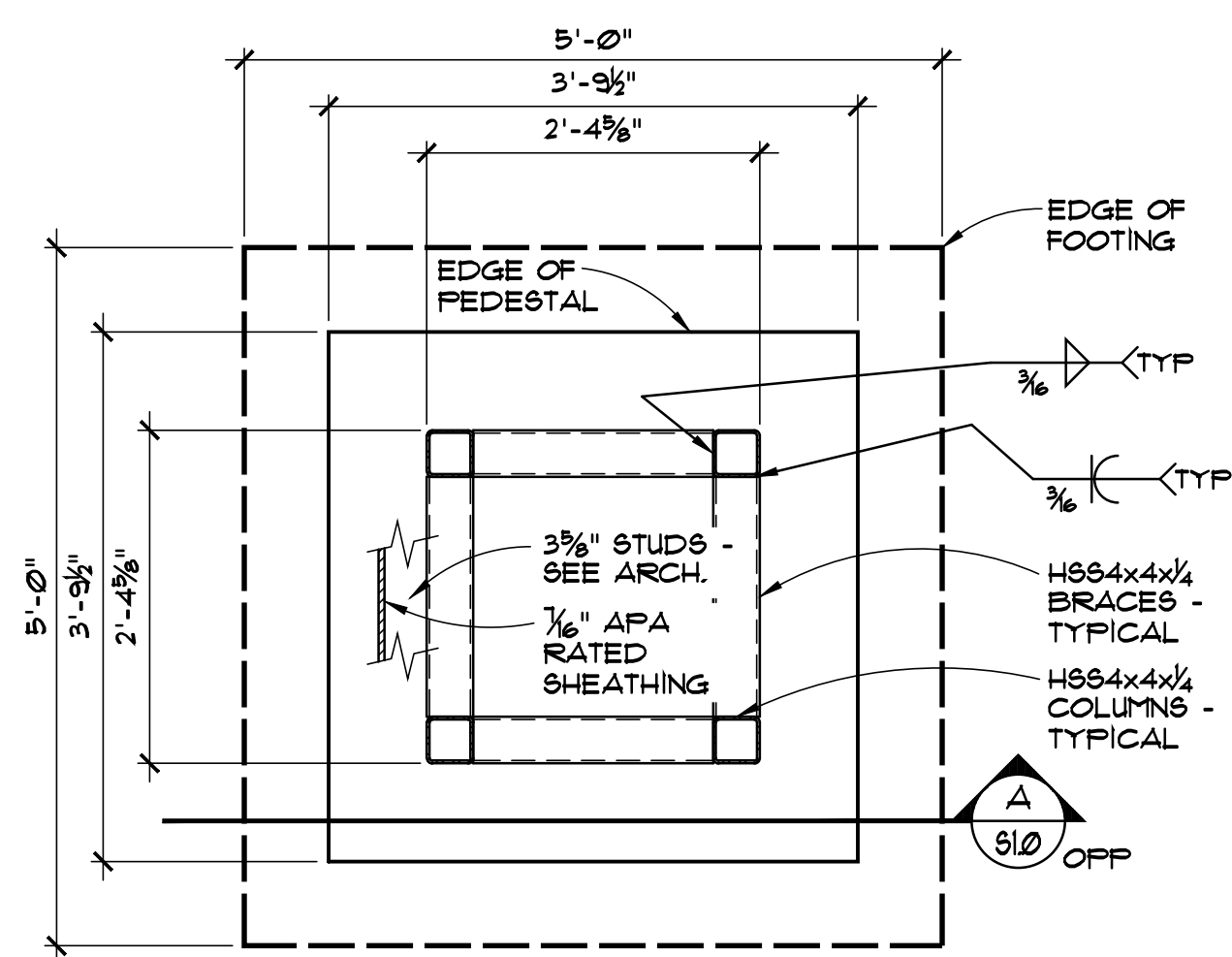
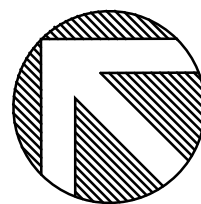


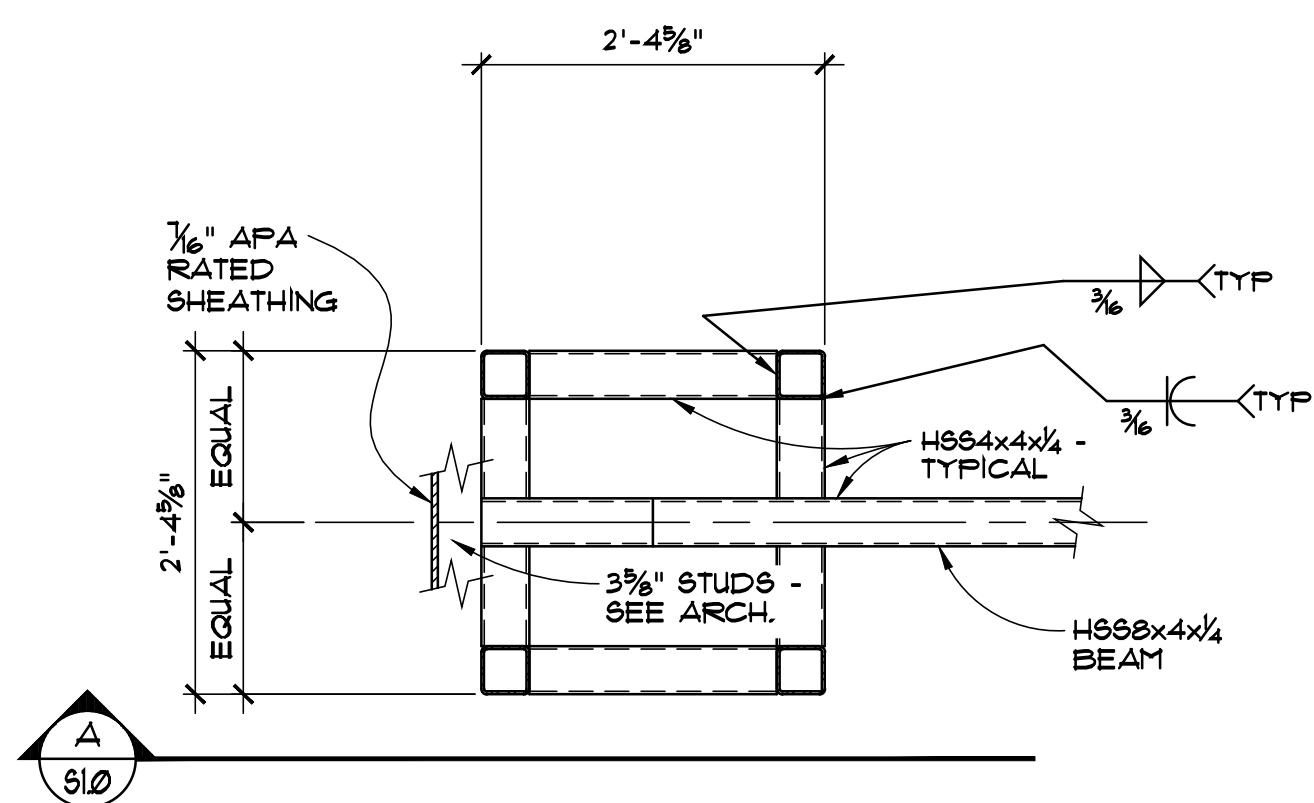
FOUNDATION PLAN

1/2" = 1'-0"



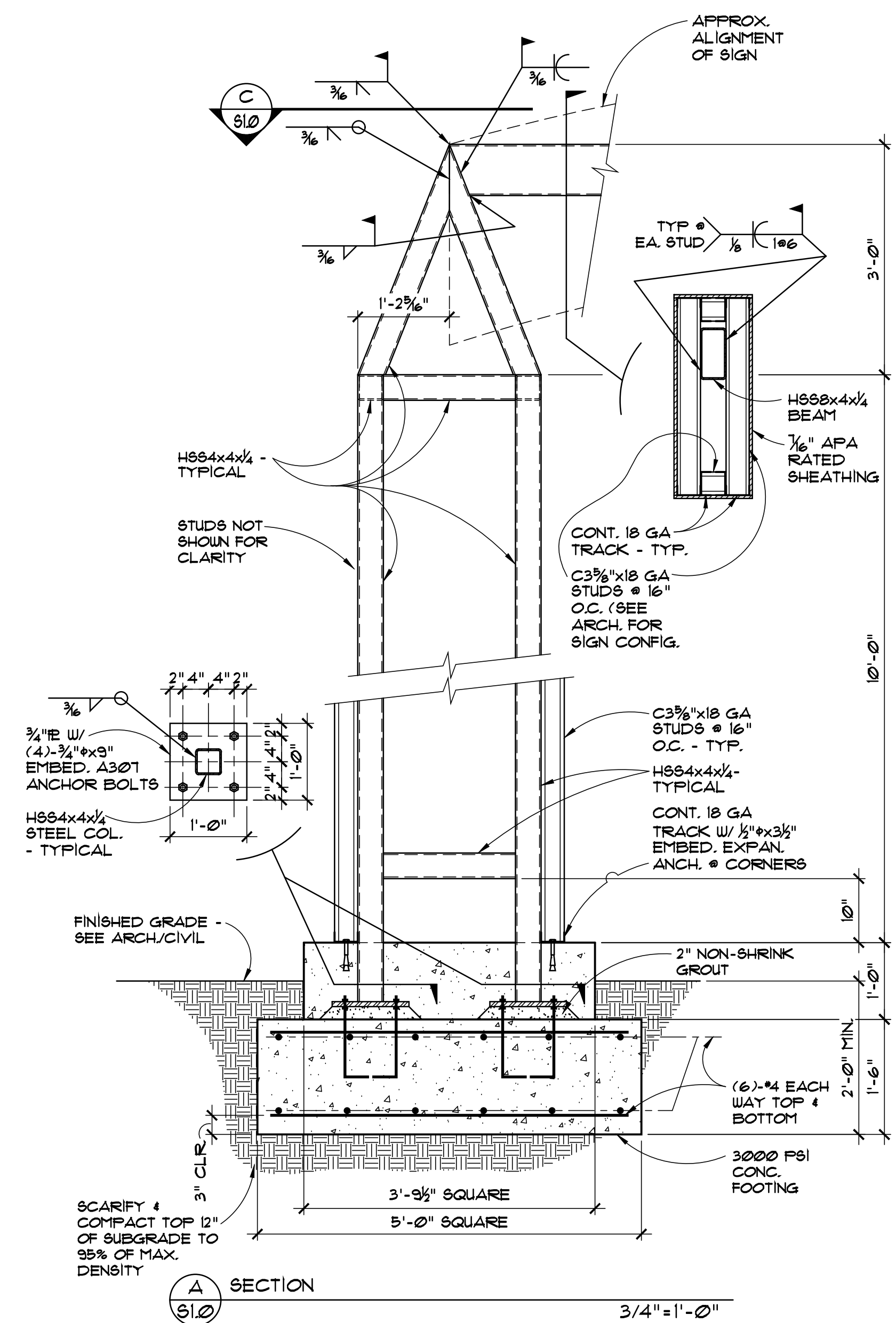
B PLAN • FOUNDATION

3/4" = 1'-0"

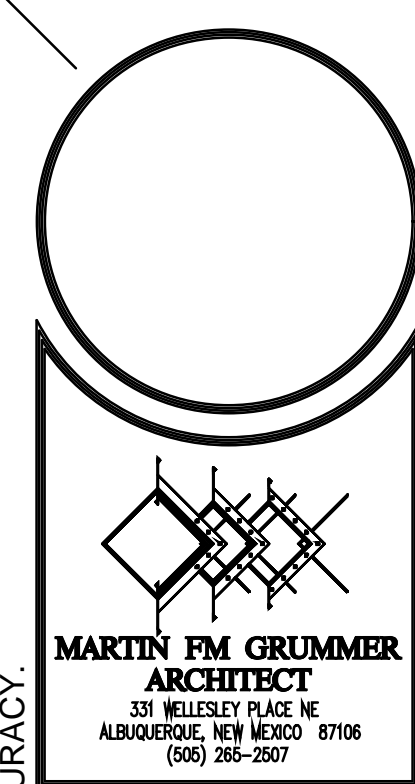


C PLAN • TOP

3/4" = 1'-0"



ALL DIMENSIONS ARE TO BE FIELD VERIFIED. IF THERE ARE DISCREPANCIES, PLEASE NOTIFY THE ARCHITECT. DRAWING ARE NOT TO BE SCALED. USE DIMENSIONS FOR ACCURACY.



CENTRAL MERCADO
CENTRAL & SAN PEDRO SE
ALBUQUERQUE, NM 87108

STRUCTURAL PLAN & DETAILS



DATE: 13 APRIL 2020
DRAWN BY: DR
CHECKED BY: MJW
VERIFIED BY:

NO.	REVISIONS

SHEET NO:
S1.0