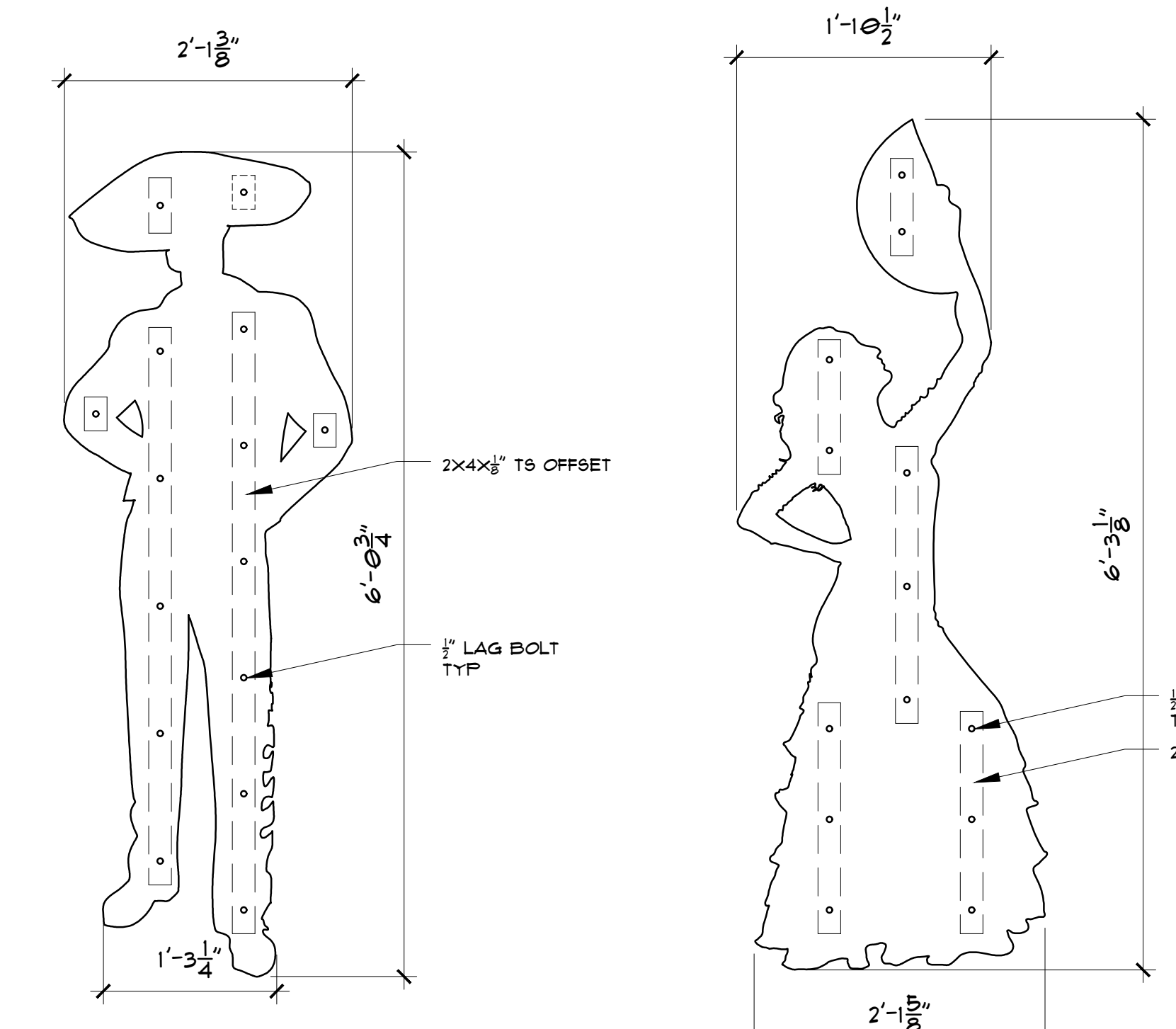


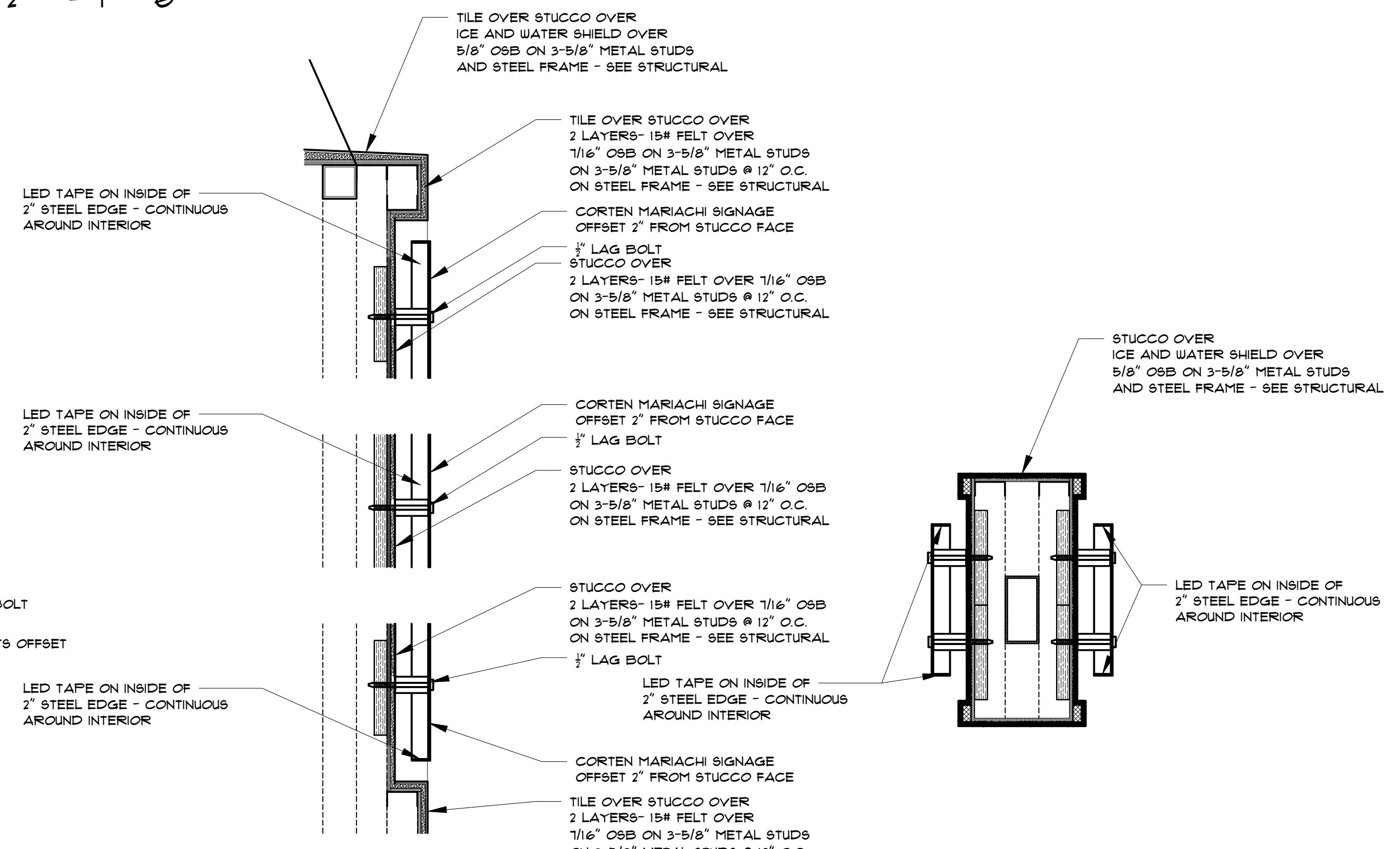
**NEW MONUMENT SIGN DETAILS**

1/2" = 1'-0"



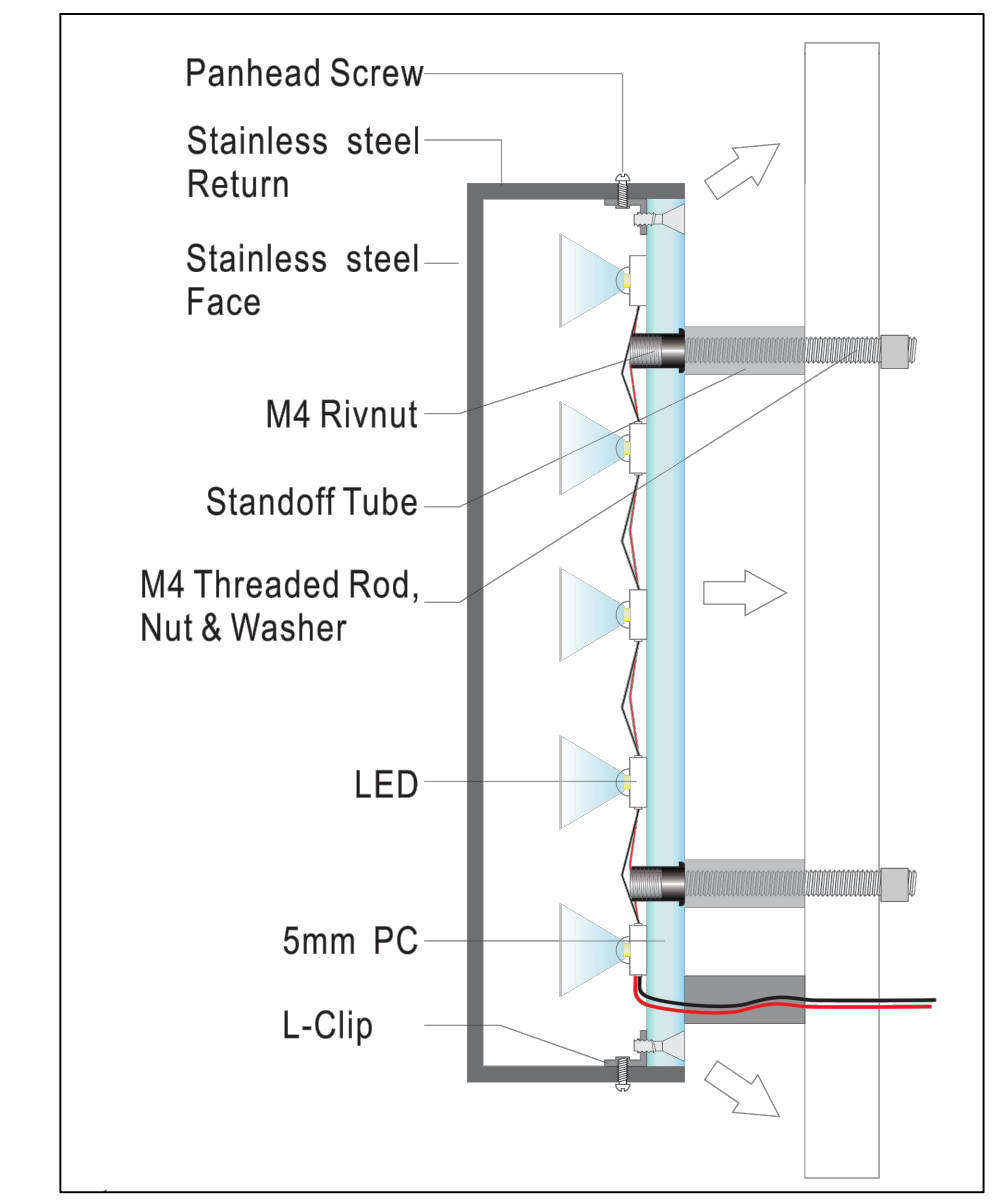
**DANCER PATTERNS**

1" = 1'-0"



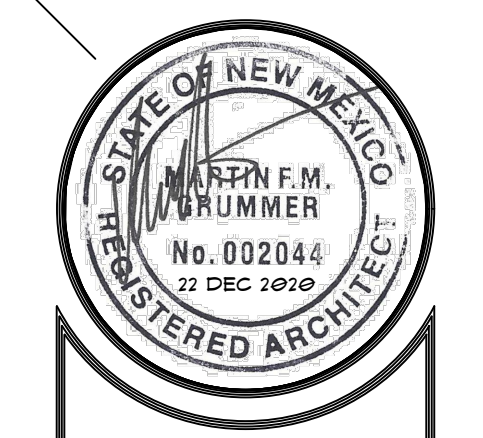
**LED DETAILS**

1" = 1'-0"

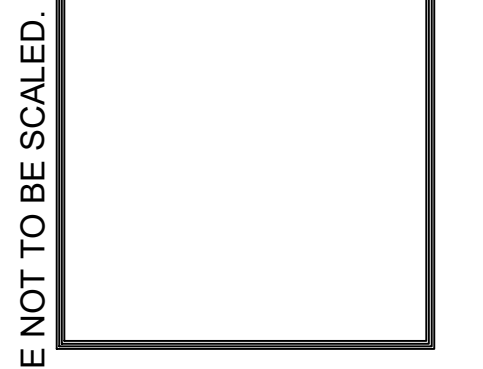


**LETTER LED DETAIL**

NTS



**MARTIN F.M. GRUMMER ARCHITECT**  
 331 WELLESLEY PLACE NE  
 ALBUQUERQUE, NEW MEXICO 87106  
 (505) 265-2587



**CENTRAL MERCADO  
 CENTRAL & SAN PEDRO SE  
 ALBUQUERQUE, NM 87108**

**SIGN DETAILS**

DATE: 22 DEC 2020  
 DRAWN BY: MFMG  
 CHECKED BY:  
 VERIFIED BY:

**REVISIONS**

NO.	DESCRIPTION

SHEET NO:  
**A2.1**

ALL DIMENSIONS ARE TO BE FIELD VERIFIED. IF THERE ARE DISCREPANCIES, PLEASE NOTIFY THE ARCHITECT. DRAWING ARE NOT TO BE SCALED. USE DIMENSIONS FOR ACCURACY.