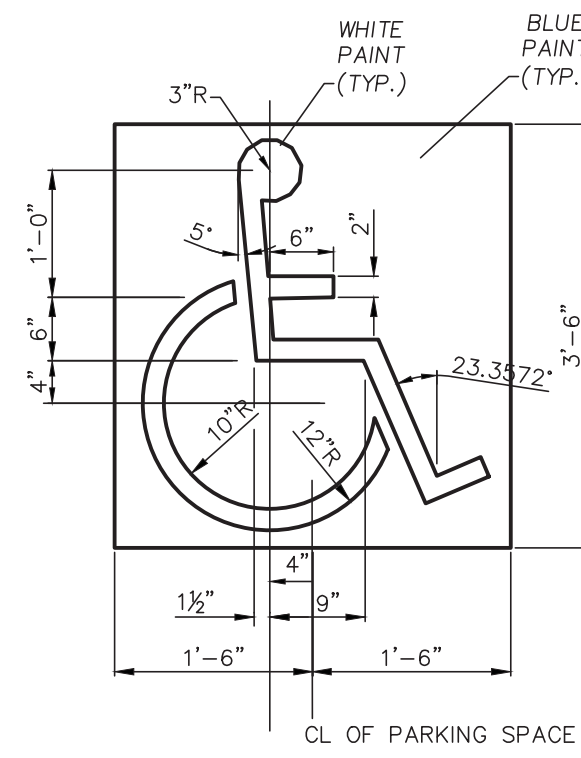




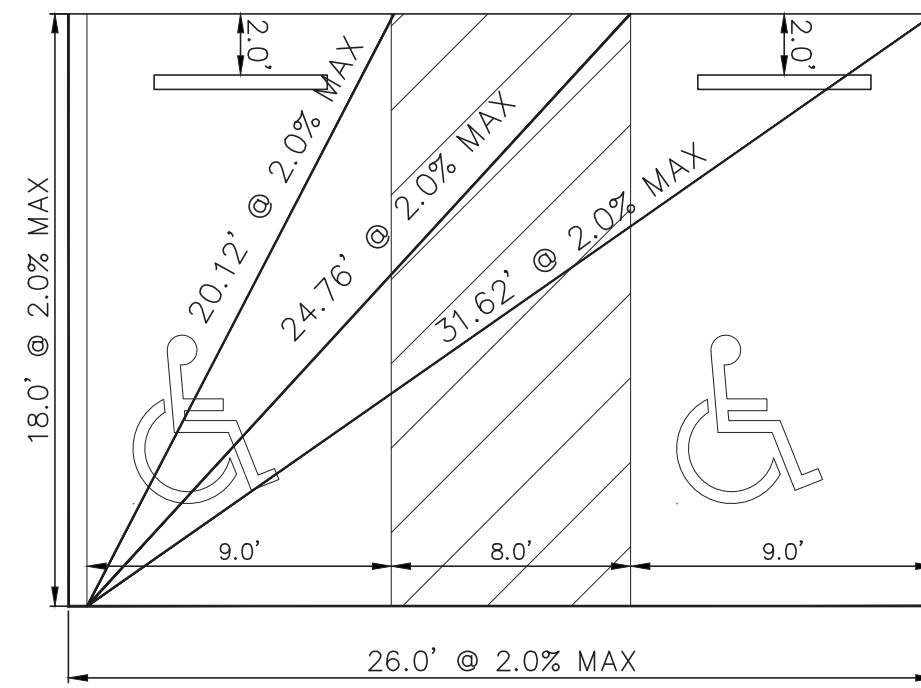
TYPICAL SIGNAGE MOUNTING DETAIL FOR ACCESSIBLE SPACES
N.T.S.



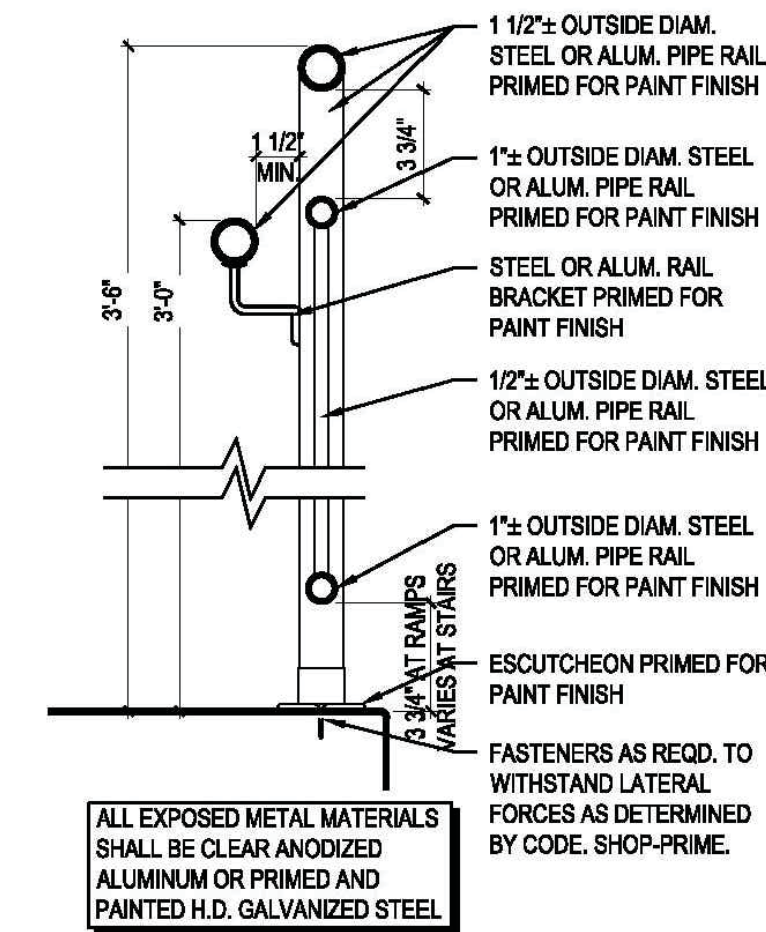
TYPICAL SIGNAGE MOUNTING DETAIL FOR VAN ACCESSIBLE SPACES
N.T.S.



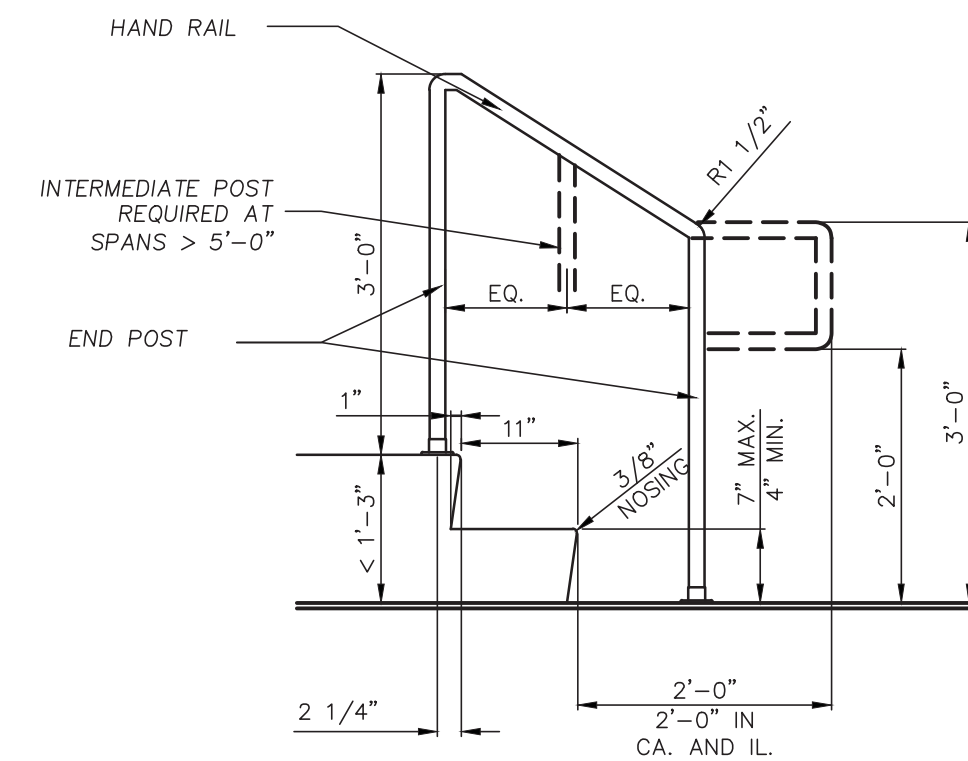
ACCESSIBLE PARKING SYMBOL DETAIL
N.T.S.



ADA PARKING STALLS AND AISLE DETAIL



ADA RAMP HAND RAIL DETAIL
N.T.S.



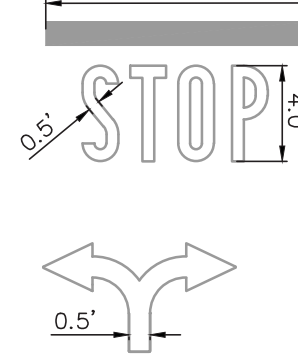
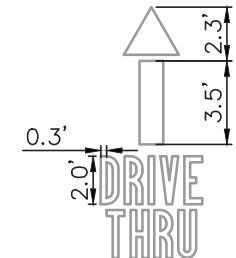
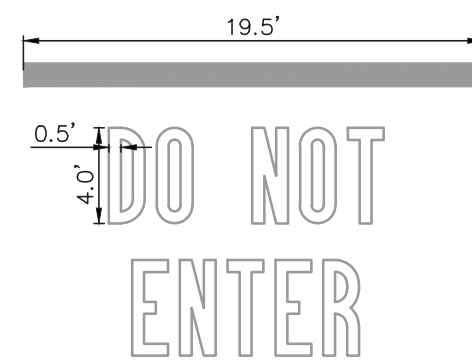
HANDRAIL DETAIL
N.T.S.



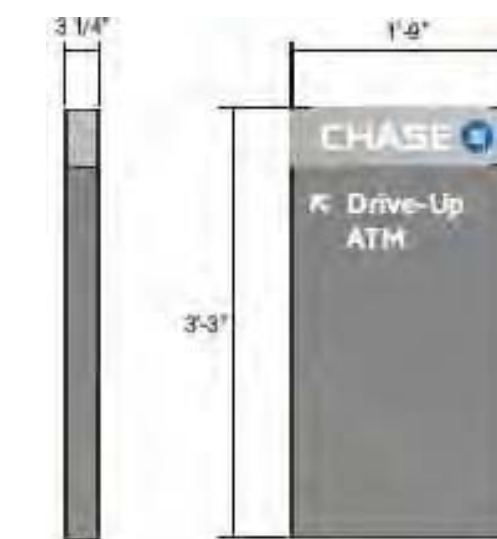
R1-1
(SIZE: 30"X30")
STOP SIGN
N.T.S.



R5-1
(SIZE: 30"X30")
DO NOT ENTER SIGN
N.T.S.



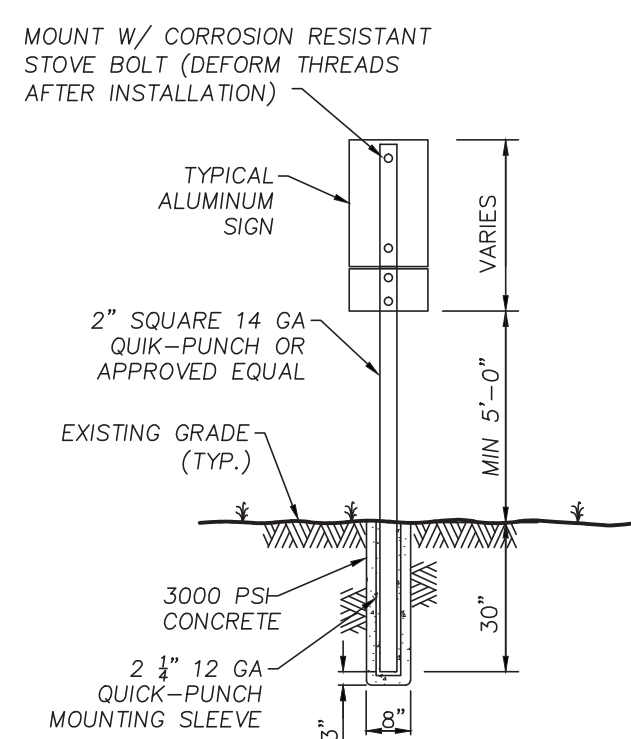
TEXT DETAILS
N.T.S.



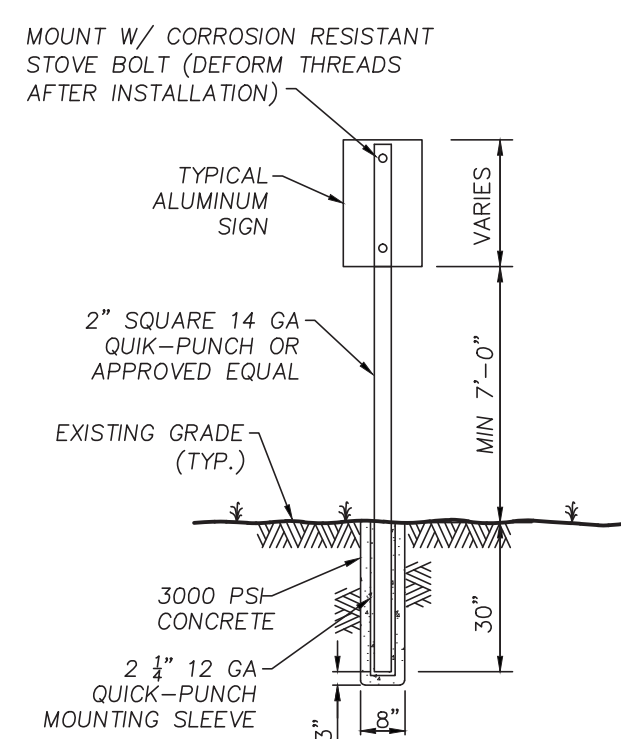
DRIVE-THRU ATM SIGNAGE DETAIL
N.T.S.



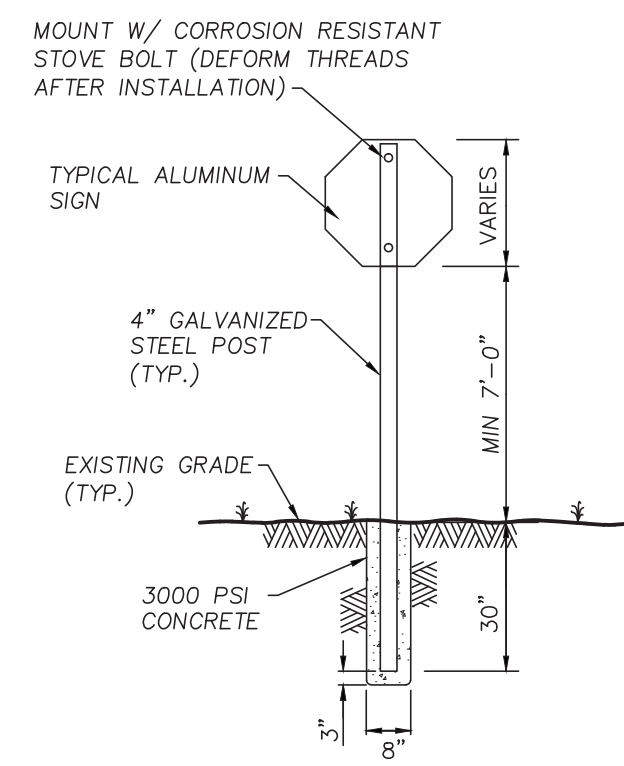
MOTORCYCLE PARKING SIGN
N.T.S.



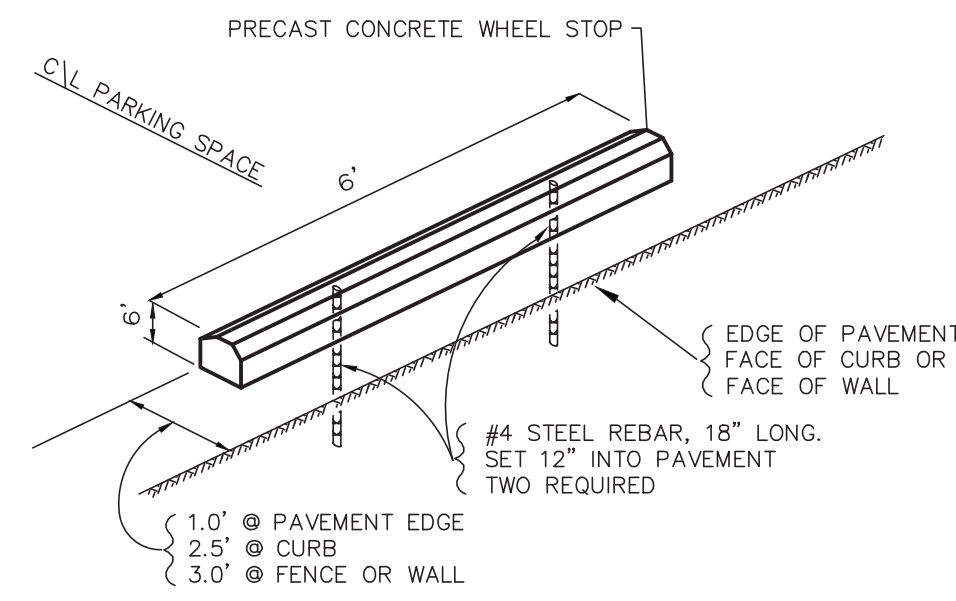
ADA DUAL SIGNAGE MOUNTING DETAIL
N.T.S.



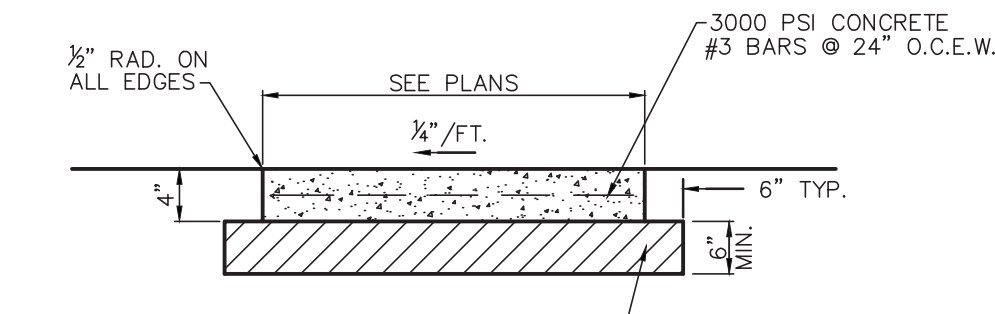
TYPICAL SIGNAGE MOUNTING DETAIL
N.T.S.



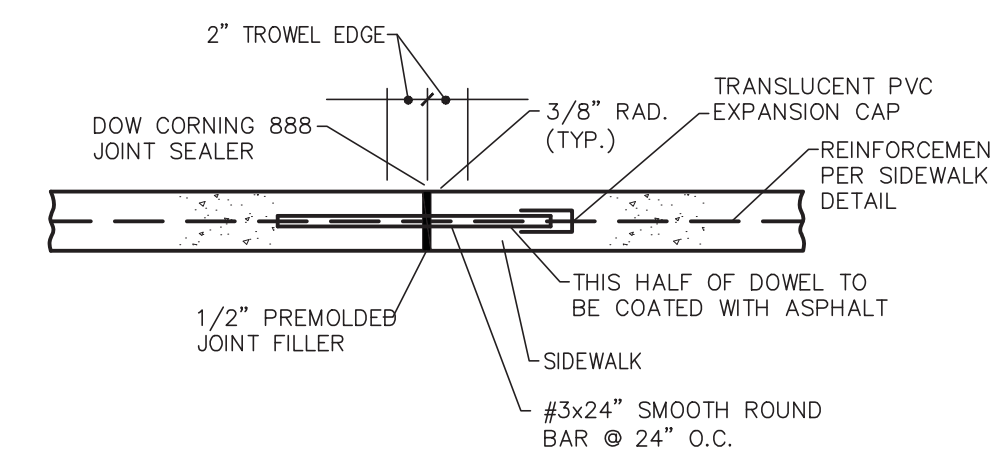
STOP SIGNAGE MOUNTING DETAIL
N.T.S.



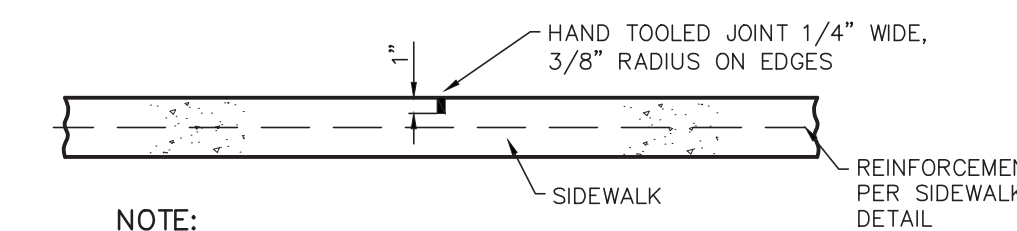
WHEEL STOP DETAIL
N.T.S.



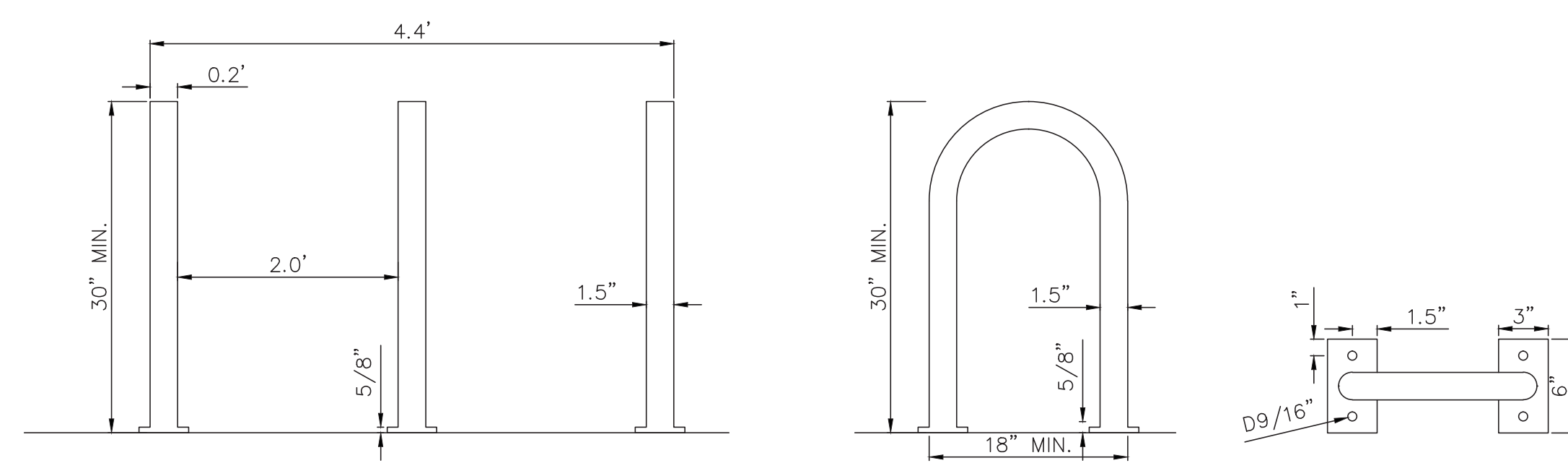
SIDEWALK CROSS-SECTION



EXPANSION JOINT
N.T.S.



CONTRACTION JOINT
N.T.S.



NOTES:
1. INSTALLATION TO BE COMPLETED IN ACCORDANCE WITH MANUFACTURER'S SPECIFICATIONS.

BICYCLE RACK DETAIL
N.T.S.

MISCELLANEOUS DETAILS

NOTE:
DETAILS ON THIS SHEET ARE PRIVATE. ALL WORK WITHIN PUBLIC EASEMENTS OR RIGHT-OF-WAY SHALL BE PER CITY (OR STATE, IF APPLICABLE) STANDARD DETAILS. THE CONTRACTOR IS REQUIRED TO HAVE ON-SITE, AT ALL TIMES, A COPY OF THE CITY'S CONSTRUCTION DETAILS.

SIDEWALK DETAILS

