

PLAN VIEW

NOTES:

1. REBUILD EXISTING PILASTER FROM TOP TO THE END OF CRACK (TOP 6-7 COURSES). FILL WITH CONCRETE
2. NEW WALL CONSTRUCTION TO MATCH COLOR AND SURFACE FINISH OF EXISTING WALL AS CLOSE AS FEASIBLE.



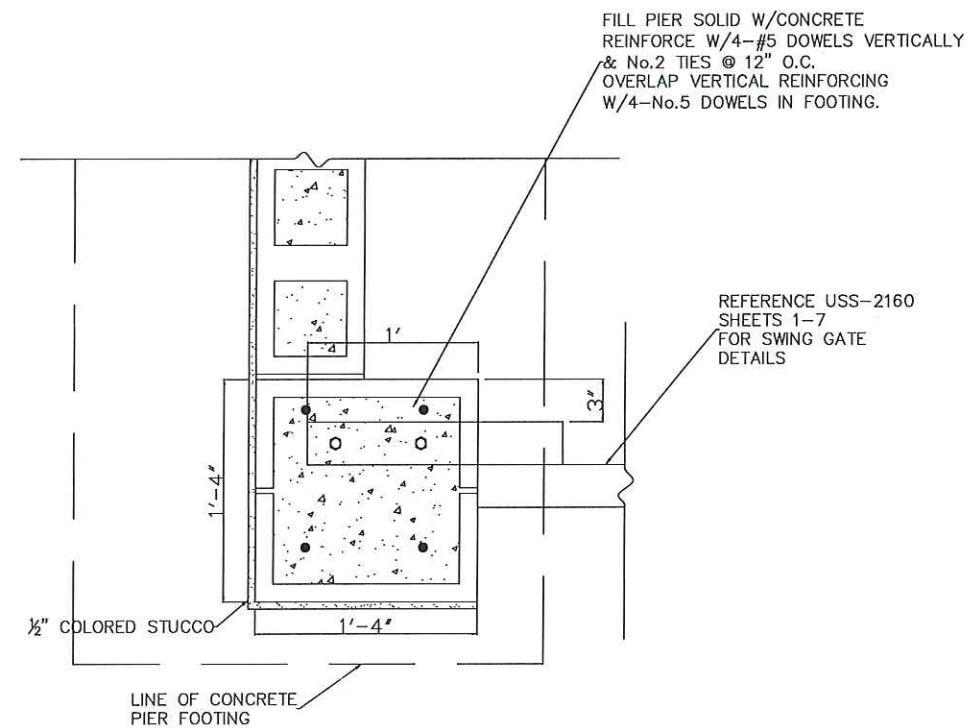
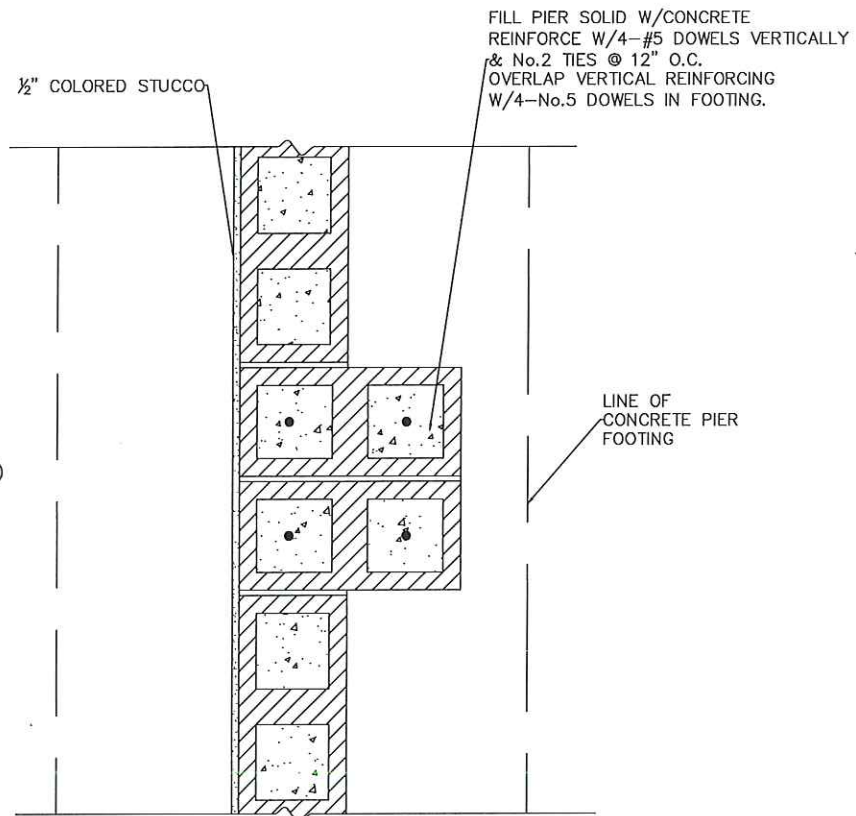
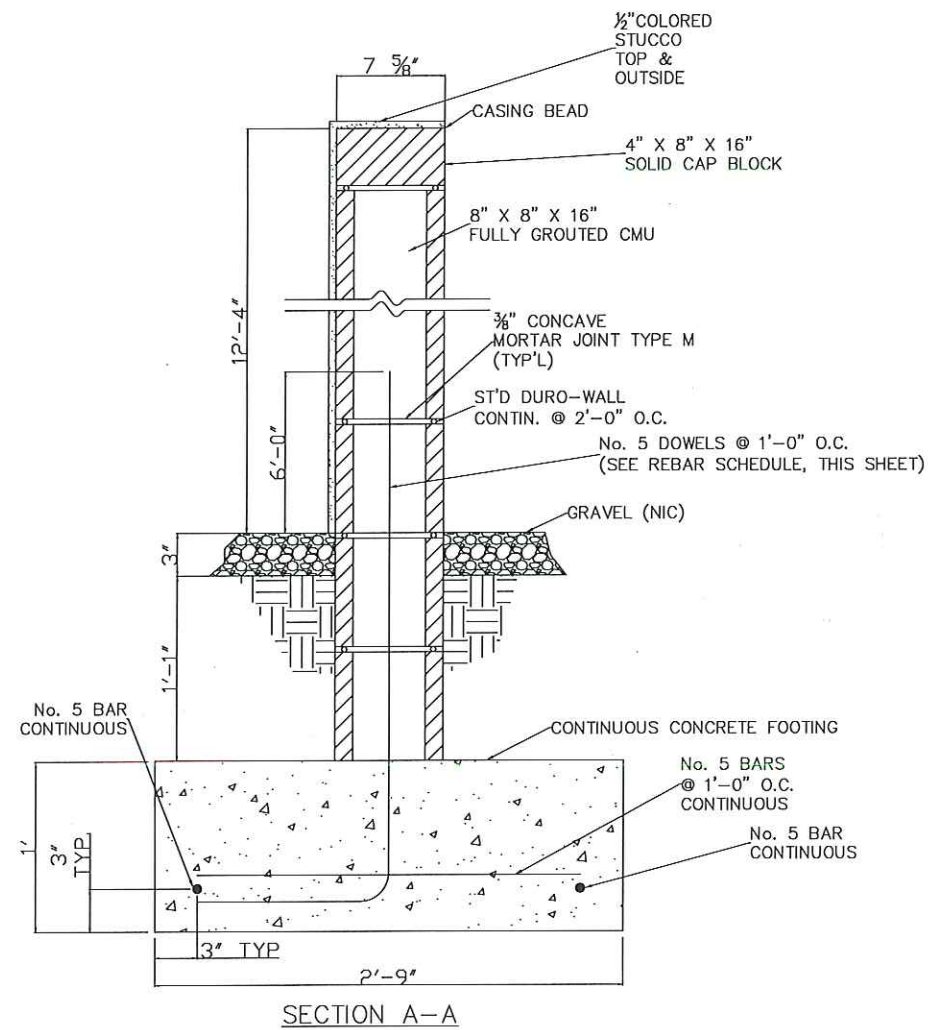
REVISION	NO.	DATE	BY
	1	2/24/20	JS
	NEW DRAWING		
CHK:	DATE:	APP:	

PROPRIETARY STATEMENT
 THIS DOCUMENT AND ALL PREVIOUS ISSUES ARE THE PROPERTY OF PUBLIC SERVICE COMPANY OF NEW MEXICO (PNM) AND NEITHER RECEIPT NOR POSSESSION, REPRODUCTION, INTEREST OR TRANSFER, ANY RIGHT IN OR LICENSE TO USE THIS DOCUMENT THE SUBJECT MATTER THEREOF OR ANY DESIGN OR TECHNICAL INFORMATION SHOWN THEREON OR ANY RIGHT TO REPRODUCE THIS DOCUMENT OR ANY PART THEREOF, NEITHER THIS DOCUMENT NOR ANY INFORMATION CONTAINED THEREIN MAY BE COPIED, REPRODUCED, OR OTHERWISE USED OR DISCLOSED TO ANY OTHER PARTY WITHOUT FIRST OBTAINING THE EXPRESS WRITTEN PERMISSION OF PNM. THIS DOCUMENT IS PROVIDED UNDER THE EXPRESS CONDITION THAT IT WILL BE HELD IN CONFIDENCE BY THE RECIPIENT, THAT IT IS SUBJECT TO RETURN UPON DEMAND, AND THAT IT WILL NOT BE USED IN ANY WAY DEPRECIATIONAL TO PNM.

PNM PUBLIC SERVICE COMPANY OF NEW MEXICO		
ENCLOSING WALL DETAILS		
PLOT PLAN		
EASTRIDGE UNIT SUBSTATION		
DR:	JS	TR:
CKD:		OK:
APP:		ACAD FILE:
REV. NO. 1		USS2150
		DATE: 2/24/20
		SCALE: 1"=5'-0"
		USS-2150S1

BILL OF MATERIAL	
MATERIAL	QUANTITY
#5 REBAR 60 KSI	APPROX. 285 LINEAR FEET
#2 REBAR 60 KSI	APPROX. 84 LINEAR FEET
CONCRETE 4,000 PSI IN 28 DAYS	APPROX. 3.5 CUBIC YDS.

REBAR SCHEDULE			
SIZE DIAM.	QUAN.	LENGTH	SHAPE
#5	2	14'-4"	STRAIGHT
#5	8	14'-0"	STRAIGHT
#2	28	3'-0"	TIES
#5	14	2'-3"	STRAIGHT
#5	20	3'-0"	STRAIGHT



DETAIL-1

DETAIL-2

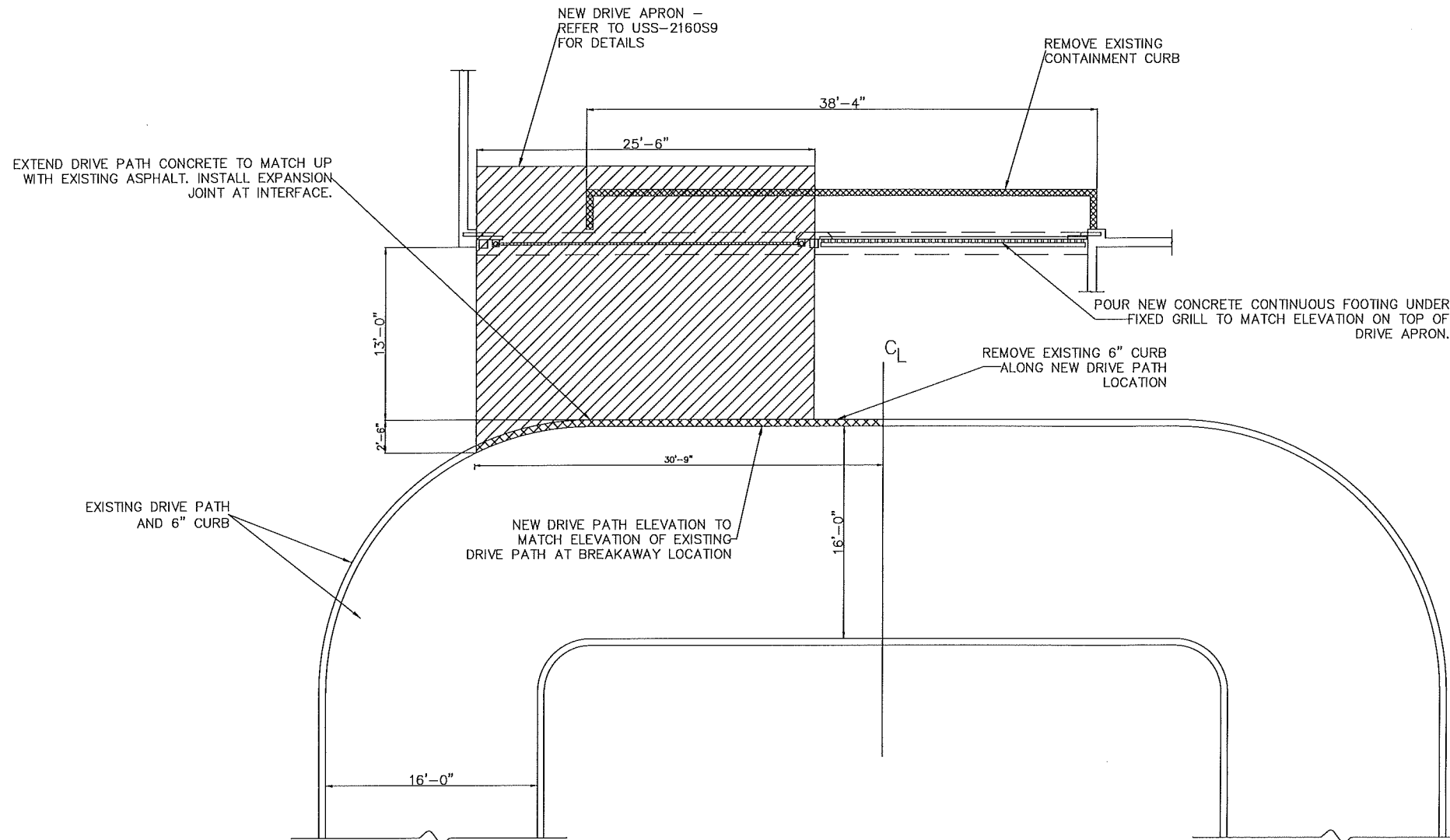


REVISION	NO.	DATE	BY	JS
	1	2/24/20	JS	

NEW DRAWING

PROPRIETARY STATEMENT
 THIS DOCUMENT AND ALL PREVIOUS ISSUES ARE THE PROPERTY OF PUBLIC SERVICE COMPANY OF NEW MEXICO (PNM) AND NEITHER RECEIPT NOR POSSESSION THEREOF INFERS OR TRANSFERS ANY RIGHT IN OR LICENSE TO USE THIS DOCUMENT THE SUBJECT MATTER THEREOF OR ANY DESIGN OR TECHNICAL INFORMATION SHOWN THEREIN OR ANY RIGHT TO REPRODUCE THIS DOCUMENT OR ANY PART THEREOF. NEITHER THIS DOCUMENT NOR ANY INFORMATION CONTAINED THEREIN MAY BE COPIED, REPRODUCED, OR OTHERWISE USED OR DISCLOSED TO ANY OTHER PARTY WITHOUT FIRST OBTAINING THE EXPRESS WRITTEN PERMISSION OF PNM. THIS DOCUMENT IS PROVIDED UNDER THE EXPRESS CONDITION THAT IT WILL BE HELD IN CONFIDENCE BY THE RECIPIENT, THAT IT IS SUBJECT TO RETURN UPON DEMAND, AND THAT IT WILL NOT BE USED IN ANY WAY DETRIMENTAL TO PNM.

PNM PUBLIC SERVICE COMPANY OF NEW MEXICO
 ENCLOSING WALL DETAILS
 SECTION AND DETAIL VIEWS
 EASTRIDGE UNIT SUBSTATION
 DR: JS TR: DATE: 2/24/20
 CKD: OK: SCALE: 2"=1'-0"
 APP: ACAD FILE: USS2150
 REV. NO. 1 USS-2150S2



NOTES:

1. TOP OF CONCRETE ON DRIVE APRON TO BE AT LEAST 6" ABOVE GRAVEL GRADE ON INSIDE OF THE STATION.

PLAN VIEW



REVISION		NO.	DATE	BY
		1	2/24/20	JS

NEW DRAWING

- REMOVAL
- NEW CONSTRUCTION

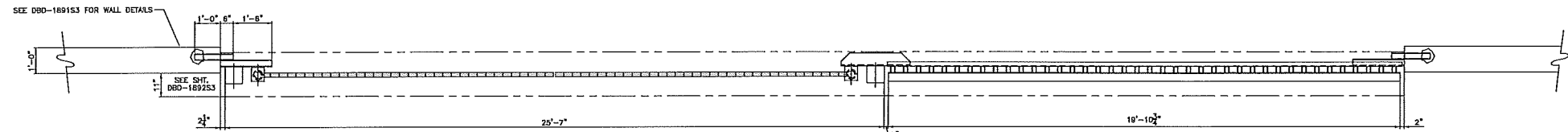
PROPRIETARY STATEMENT

THIS DOCUMENT AND ALL PREVIOUS ISSUES ARE THE PROPERTY OF PUBLIC SERVICE COMPANY OF NEW MEXICO ("PNM") AND NEITHER RECEIPT NOR POSSESSION THEREOF CONSTITUTES AN ADVERTISEMENT, OFFER OR TRANSFER OF ANY RIGHT IN OR LICENSE TO USE THIS DOCUMENT OR ANY INFORMATION CONTAINED THEREIN FOR ANY PURPOSE OTHER THAN THAT AUTHORIZED BY PNM. NO PART OF THIS DOCUMENT OR ANY INFORMATION CONTAINED THEREIN MAY BE COPIED, REPRODUCED, OR OTHERWISE USED OR DISCLOSED TO ANY OTHER PARTY WITHOUT FIRST OBTAINING THE EXPRESS WRITTEN PERMISSION OF PNM. THIS DOCUMENT IS PROVIDED UNDER THE EXPRESS CONDITION THAT IT WILL BE HELD IN CONFIDENCE BY THE RECIPIENT, THAT IT IS SUBJECT TO RETURN UPON DEMAND, AND THAT IT WILL NOT BE USED IN ANY WAY DETRIMENTAL TO PNM.

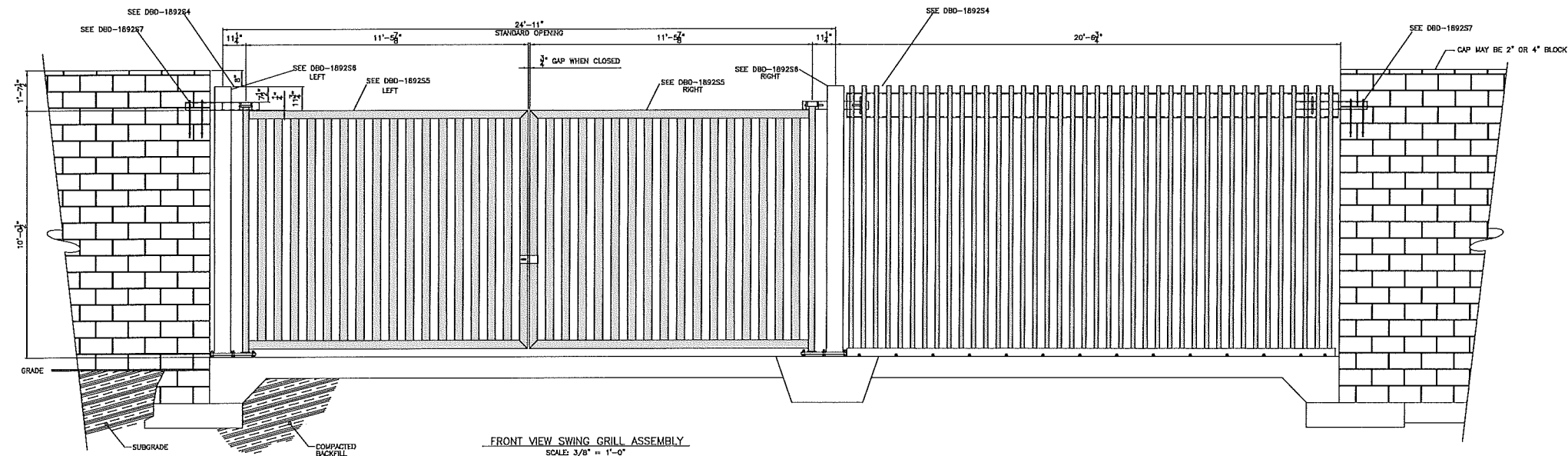
PNM PUBLIC SERVICE COMPANY OF NEW MEXICO

ENCLOSING WALL DETAILS
DRIVE APRON PLAN VIEW
EASTRIDGE UNIT SUBSTATION

DR:	JS	TR:	DATE: 2/24/20
CKD:		OK:	SCALE: 1"=5'-0"
APP:		ACAD FILE:	USS-2150S3
REV. NO. 1		USS2150	



TOP VIEW SWING GRILL ASSEMBLY
SCALE 3/8" = 1'-0"



FRONT VIEW SWING GRILL ASSEMBLY
SCALE 3/8" = 1'-0"

BILL OF MATERIALS					
ITEM #	ASSEMBLED ITEM MATERIALS	PIECE DESCRIPTION	QTY.	ITEM EXT. QTY.	SHEET #
SWING GATE ASSEMBLY:					
5A	TS 4"x2"x11 GA.	HORIZONTAL FRAME TUBING	2	4	S5
5B	TS 4"x2"x11 GA.	VERTICAL FRAME TUBING	1	2	S5
5C	TS 4"x2"x11 GA.	VERTICAL RIB	16	32	S5
5D	ID Ø 3.548, 3 1/2" STD. WEIGHT PIPE	HINGE PIPE	1	2	S5
5E	1/4" STEEL PLATE	GUSSET	1	2	S5
5F	3"x1-1/2", 5/16" U-BOLT	U-BOLT (LOCK ASSEMBLY)	1	1	S5
3A	1/4" STEEL PLATE	LOCK PLATE (LOCK ASSEMBLY)	1	1	S3
3B	3"x1" ROD W/ WELDED TAB AND COLLAR	STOP ROD	1	2	S3
5G	1/8" NPT GREASE NIPPLE	GREASE NIPPLE	1	2	S5
COLUMN ASSEMBLY:					
6A	8"x8" 3/8" HSS	COLUMN SQUARE TUBING	1	2	S6
6B	1"xA36	COLUMN BASE PLATE	1	2	S6
6C	L 6"x4"x5/16"	HINGE ADJUSTER	1	1	S6
6D	ID Ø 3.348, 3-1/2" STD. WEIGHT PIPE	HINGE REST	1	2	S6
6E	OD Ø 3.5", 3" STD. WEIGHT PIPE	LOWER HINGE PIPE	1	2	S6
6F	1" STEEL PIPE	WEB	4	8	S6
6G	OD Ø 4.5", 4" STD. WEIGHT PIPE	HINGE	1	2	S6
6G	L 6"x4"x5/16" ANGLE	HINGE	1	2	S6
6J	1/2" BRASS PLATE	BRASS BEARING BUSHING	1	2	S6
6K	1/4" STEEL PLATE TO FIT	COLUMN TOP CAP	1	1	S6
5G	1/8" NPT GREASE NIPPLE	GREASE NIPPLE	1	2	S6
3C	(2) EA. 7/8" NUT	COLUMN ANCHOR BOLT		52	S3
3C	(2) EA. 7/8" MF LOCK NUT	COLUMN ANCHOR BOLT		52	S3
3C	1"x7/8" BOLD	COLUMN ANCHOR BOLT		40	S3

GRILL AND GATE NOTES:

- FABRICATION SHALL BE IN ACCORDANCE WITH REQUIREMENTS AND TOLERANCES AS SPECIFIED IN AMERICAN INSTITUTE OF STEEL CONSTRUCTION (AISC), LATEST REVISION
- WELDING SHALL BE IN ACCORDANCE WITH AMERICAN WELDING SOCIETY D1.1 LATEST REVISION
- ALL PIPES SHALL CONFORM TO ASTM A-53 LATEST REVISION
- ALL TUBULAR STEEL SHAPES SHALL CONFORM TO ASTM A-500 LATEST REVISION
- ALL STEEL ROLLED SHAPES, PLATES AND RODS SHALL CONFORM TO ASTM A-36 LATEST REVISION
- ALL STEEL BOLTS SHALL CONFORM TO ASTM A-307 LATEST REVISION
- ALL EMBEDDED BOLTS SHALL BE GALVANIZED IN ACCORDANCE TO ASTM A-153
- FABRICATOR SHALL SUBMIT COMPLETE INFORMATION ON PROPOSED COATING SYSTEM TO PNM FOR APPROVAL
- ALL FINISHED STEEL COMPONENTS, ASSEMBLIES AND SUBASSEMBLIES SHALL BE DELIVERED WITH SHOP APPLIED EPOXY PRIMER
- PRIMER SHALL BE APPLIED PER MANUFACTURERS SPECIFICATIONS
- TOP COAT COMPATIBLE WITH PRIMER SHALL BE APPLIED BY OTHERS
- ALL SMALL LOOSE BOLTS, NUTS, WASHERS, RODS, AND MISCELLANEOUS ITEMS SHALL BE PACKAGED IN A WATER PROOF CONTAINER AND LABELED AS TO ITS CONTENTS
- ALL MINOR STEEL COMPONENTS SHALL BE LABELED WITH APPROPRIATE ITEM NUMBER

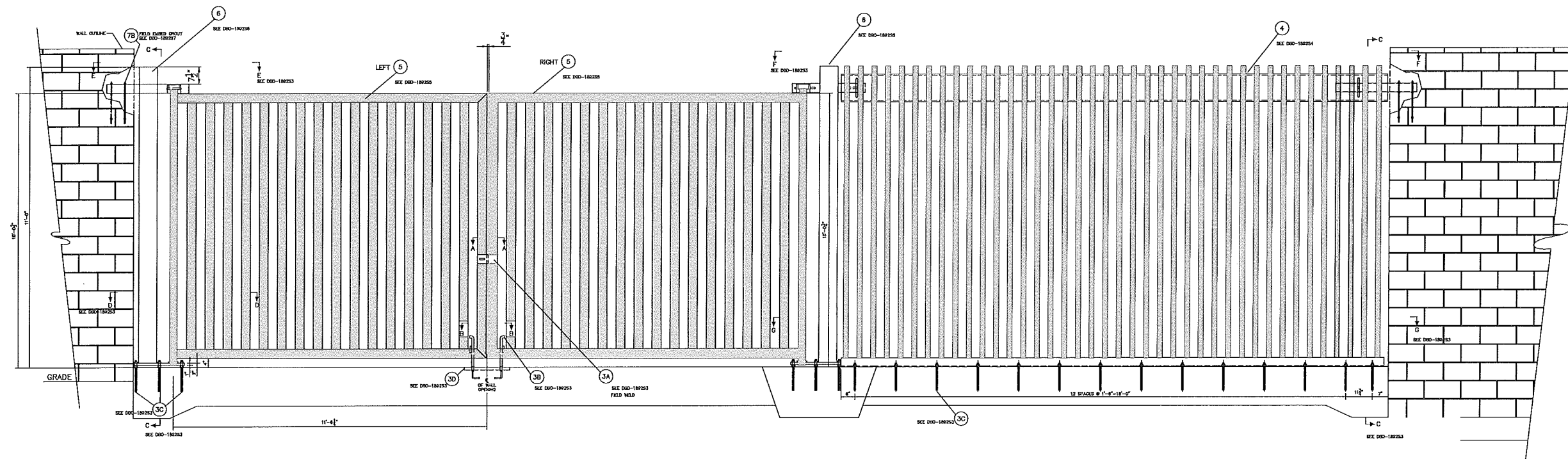
GATE STOP NOTES:

- PROPER ELEVATION SHALL HAVE 5/8" - 3/4" GAP BETWEEN GATE STOP LATCH AND THE TOP OF THE SWING GRILL FRAME.



NOTE:
SEE USS-2150S2 FOR WALL DETAILS.

REVISION	NO.	DATE	BY	<p>PROPRIETARY STATEMENT</p> <p>THIS DOCUMENT AND ALL PREVIOUS ISSUES ARE THE PROPERTY OF PUBLIC SERVICE COMPANY OF NEW MEXICO (PNM) AND NEITHER RECEIPT NOR POSSESSION THEREOF INFERS OR TRANSFERS ANY RIGHT OR LICENSE TO USE THIS DOCUMENT THE SUBJECT MATTER THEREOF OR ANY DESIGN OR TECHNICAL INFORMATION SHOWN THEREON OR ANY RIGHT TO REPRODUCE THIS DOCUMENT OR ANY PART THEREOF. NEITHER THIS DOCUMENT NOR ANY INFORMATION CONTAINED THEREIN MAY BE COPIED, REPRODUCED, OR OTHERWISE USED OR DISCLOSED TO ANY OTHER PARTY WITHOUT FIRST OBTAINING THE EXPRESS WRITTEN PERMISSION OF PNM. THIS DOCUMENT IS PROVIDED UNDER THE EXPRESS CONDITION THAT IT WILL BE HELD IN CONFIDENCE BY THE RECIPIENT, THAT IT IS SUBJECT TO RETURN UPON DEMAND, AND THAT IT WILL NOT BE USED IN ANY WAY DETRIMENTAL TO PNM.</p>	<p>PNM PUBLIC SERVICE COMPANY OF NEW MEXICO</p> <p>TOP AND FRONT VIEWS SWING GRILL ASSEMBLY STANDARD INSTALLATION DETAILS</p>
	DR: JLS	TR:	DATE: 09/08/2020		



CONVERSION GRILL & SWING GATE ASSY.
 SCALE: 1/2" = 1'-0"
 SEE DETAIL "A-A" DDD-180253 FOR DIMENSIONS IN DESIGN FOR LEFT & RIGHT GATES.



REVISION

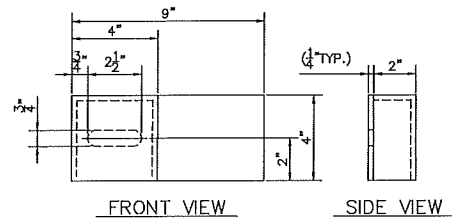
NO.	DATE	BY

PROPRIETARY STATEMENT
 THIS DOCUMENT AND ALL PREVIOUS ISSUES ARE THE PROPERTY OF PUBLIC SERVICE COMPANY OF NEW MEXICO (PNM) AND NEITHER RECEIPT NOR POSSESSION THEREOF INFERS OR TRANSFERS ANY RIGHT IN OR LICENSE TO USE THIS DOCUMENT THE SUBJECT MATTER THEREOF OR ANY DESIGN OR TECHNICAL INFORMATION SHOWN THEREON OR ANY RIGHT TO REPRODUCE THIS DOCUMENT OR ANY PART THEREOF, NEITHER THIS DOCUMENT NOR ANY INFORMATION CONTAINED THEREIN MAY BE COPIED, REPRODUCED, OR OTHERWISE USED OR DISCLOSED TO ANY OTHER PARTY WITHOUT FIRST OBTAINING THE EXPRESS WRITTEN PERMISSION OF PNM. THIS DOCUMENT IS PROVIDED UNDER THE EXPRESS CONDITION THAT IT WILL BE HELD IN CONFIDENCE BY THE RECIPIENT, THAT IT IS SUBJECT TO RETURN UPON DEMAND, AND THAT IT WILL NOT BE USED IN ANY WAY DETRIMENTAL TO PNM.

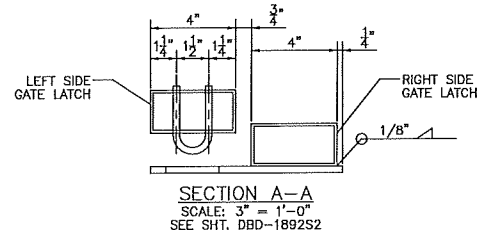
PNM PUBLIC SERVICE COMPANY OF NEW MEXICO

FRONT VIEW
 CONVERSION GRILL & SWING GATE ASSEM.
 STANDARD INSTALLATION DETAILS

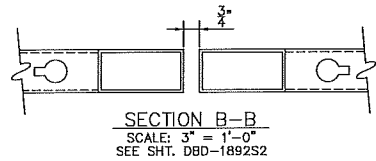
DR: JLS	TR:	DATE: 09/08/2020
CKD:	OK:	SCALE: AS NOTED
APP:	ACAD FILE:	USS-2160S2
REV. NO.	USS2160S2	



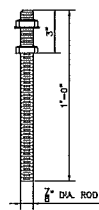
LOCK BOX PLATE (3A)
SCALE: 3" = 1'-0"
FIELD WELDED



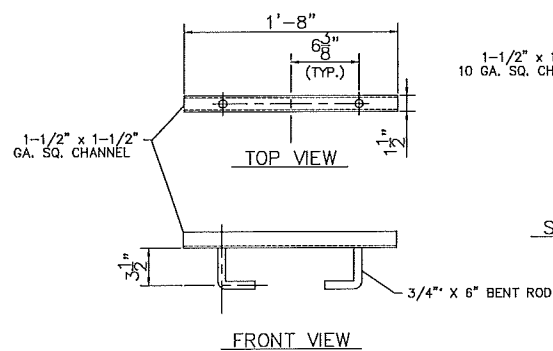
SECTION A-A
SCALE: 3" = 1'-0"
SEE SHT. DBD-1892S2



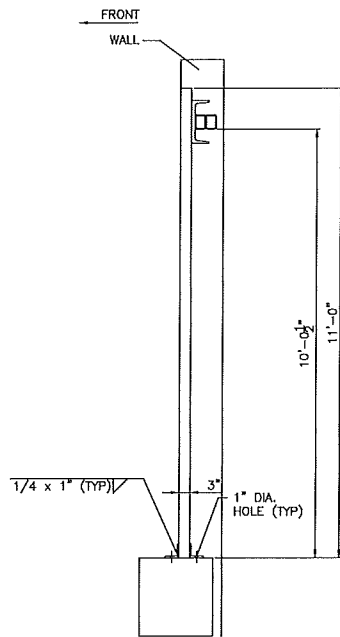
SECTION B-B
SCALE: 3" = 1'-0"
SEE SHT. DBD-1892S2



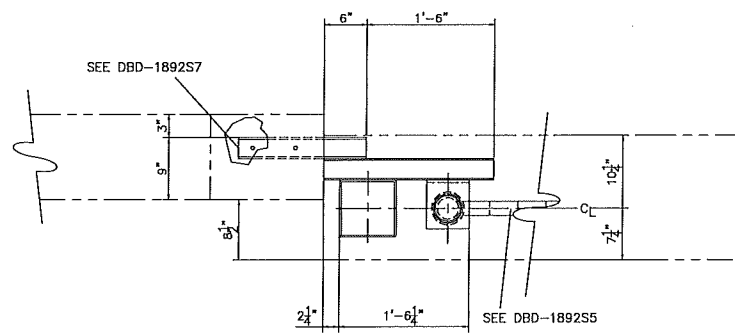
COLUMN EPOXY THREADED ANCHOR BOLT (3C)
1/2" DIA. ROD



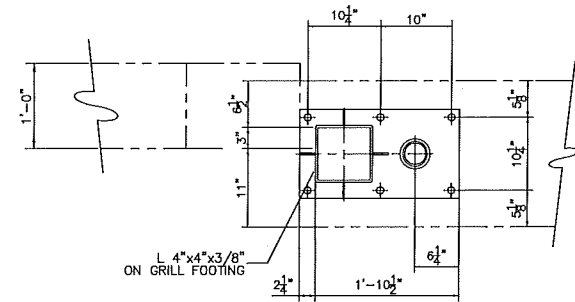
GATE STOP ASSEMBLY (CLOSED) (3D)
SCALE: 1-1/2" = 1'-0"



SECTION C-C
SCALE: 1/2" = 1'-0"
SEE SHT. DBD-1892S2

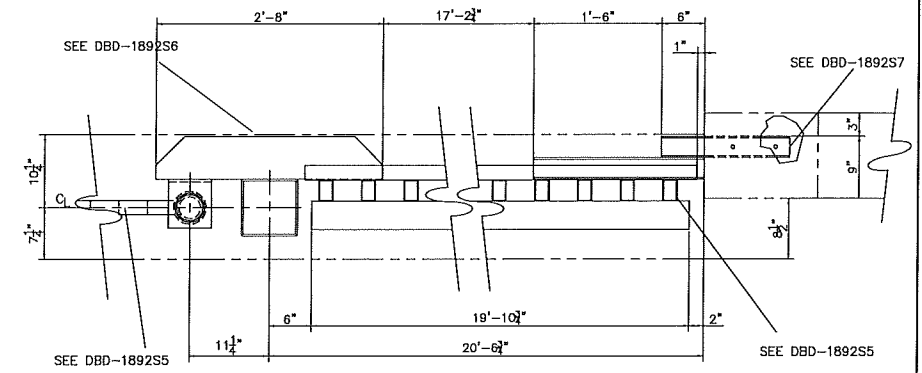


SECTION E-E
SCALE: 1" = 1'-0"
SEE DBD-1892S2

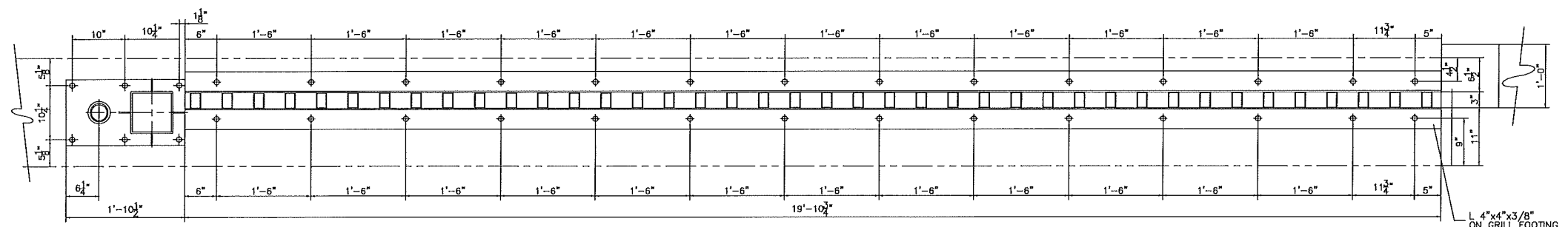


SECTION D-D
SCALE: 1" = 1'-0"
SEE DBD-1892S2

BILL OF MATERIALS				
ITEM #	ASSEMBLED ITEM MATERIALS	PIECE DESCRIPTION	QTY.	ITEM EXT. QTY. SHEET #
SWING GATE & COLUMN ASSEMBLY:				
3A	1/4" STEEL PLATE	LOCK PLATE (LOCK ASSEMBLY)	1	2 S3
3B	3"x1" ROD WITH WELDED TAB AND COLLAR	STOP ROD	1	1 S3
3C	7/8" NUT	COLUMN ANCHOR BOLT	-	52 S3
3C	7/8" FLAT WASHER	COLUMN ANCHOR BOLT	-	52 S3
3C	1"x7/8" BOLT	COLUMN ANCHOR BOLT	-	40 S3



SECTION F-F
SCALE: 1" = 1'-0"
SEE DBD-1892S2

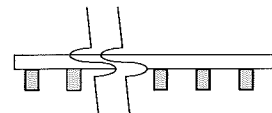


SECTION G-G
SCALE: 1" = 1'-0"
SEE DBD-1892S2

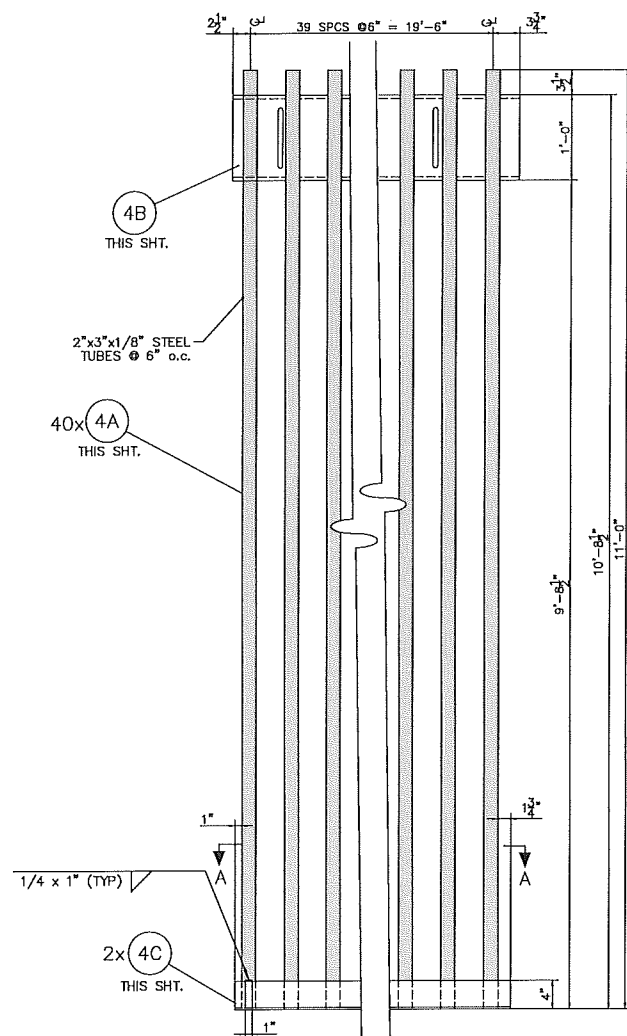


REVISION	NC.	DATE	BY	<p>PNM PUBLIC SERVICE COMPANY OF NEW MEXICO</p> <p>SECTION VIEWS SWING GRILL STANDARD INSTALLATION DETAILS</p> <p>DR: JLS TR: DATE: 09/08/2020 CKD: OK: SCALE: AS NOTED APP: ACAD FILE: USS2160S3 REV. NO. USS-2160S3</p>

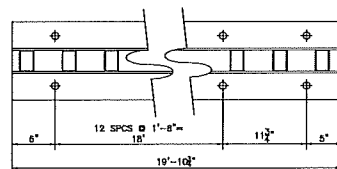
PROPRIETARY STATEMENT
THIS DOCUMENT AND ALL PREVIOUS ISSUES ARE THE PROPERTY OF PUBLIC SERVICE COMPANY OF NEW MEXICO ("PNM") AND NEITHER RECEIPT NOR POSSESSION THEREOF CONSTITUTES AN AGREEMENT TO USE THIS DOCUMENT FOR ANY PURPOSE OTHER THAN THAT FOR WHICH IT WAS ISSUED. NO PART OF THIS DOCUMENT IS TO BE REPRODUCED, COPIED, REPRODUCED, OR OTHERWISE USED OR DISCLOSED TO ANY OTHER PARTY WITHOUT FIRST OBTAINING THE EXPRESS WRITTEN PERMISSION OF PNM. THIS DOCUMENT IS PROVIDED UNDER THE EXPRESS CONDITION THAT IT WILL BE HELD IN CONFIDENCE BY THE RECIPIENT, THAT IT IS SUBJECT TO RETURN UPON DEMAND, AND THAT IT WILL NOT BE USED IN ANY WAY DETRIMENTAL TO PNM.



TOP VIEW (GRILL ASSY)



WING GRILL ASSY
SCALE: 1" = 1'-0"

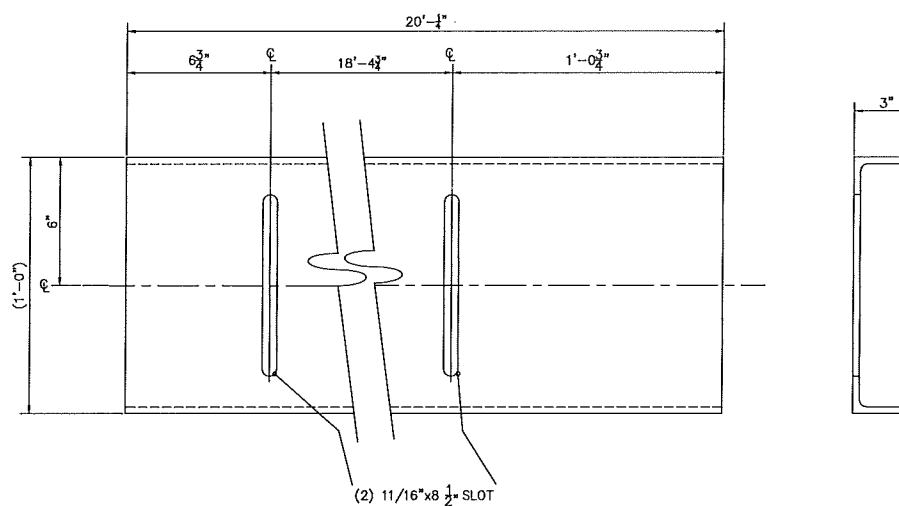


SECTION A-A
SCALE: 1" = 1'-0"

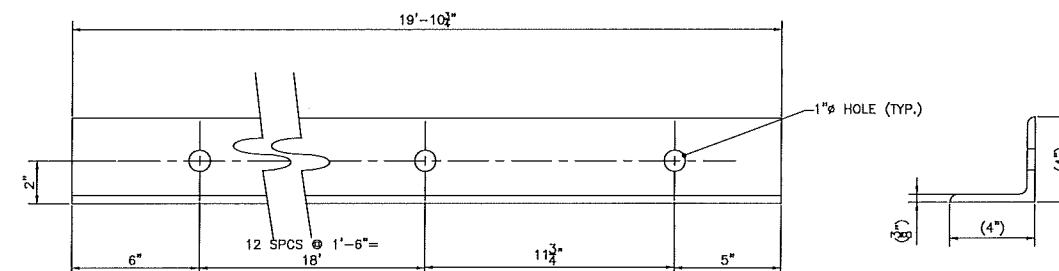


WING GRILL RIB
1" = 1'-0" (4A)

BILL OF MATERIALS					
ITEM #	ASSEMBLED ITEM MATERIALS	PIECE DESCRIPTION	QTY.	ITEM EXT. QTY.	SHEET #
WING GRILL ASSEMBLY:			1	1	S4
4A	2"x3" 14 GA. STEEL TUBE	WING GRILL RIB		40	S4
4B	12"x3"x3/8" CHANNEL	ADJUSTABLE CHANNEL		1	S4
4C	4"x4"x3/8" ANGLE	BASE ANGLE		2	S4



ADJUSTABLE CHANNEL (4B)
C12 X 20.7 CHANNEL
SCALE: 3" = 1'-0"

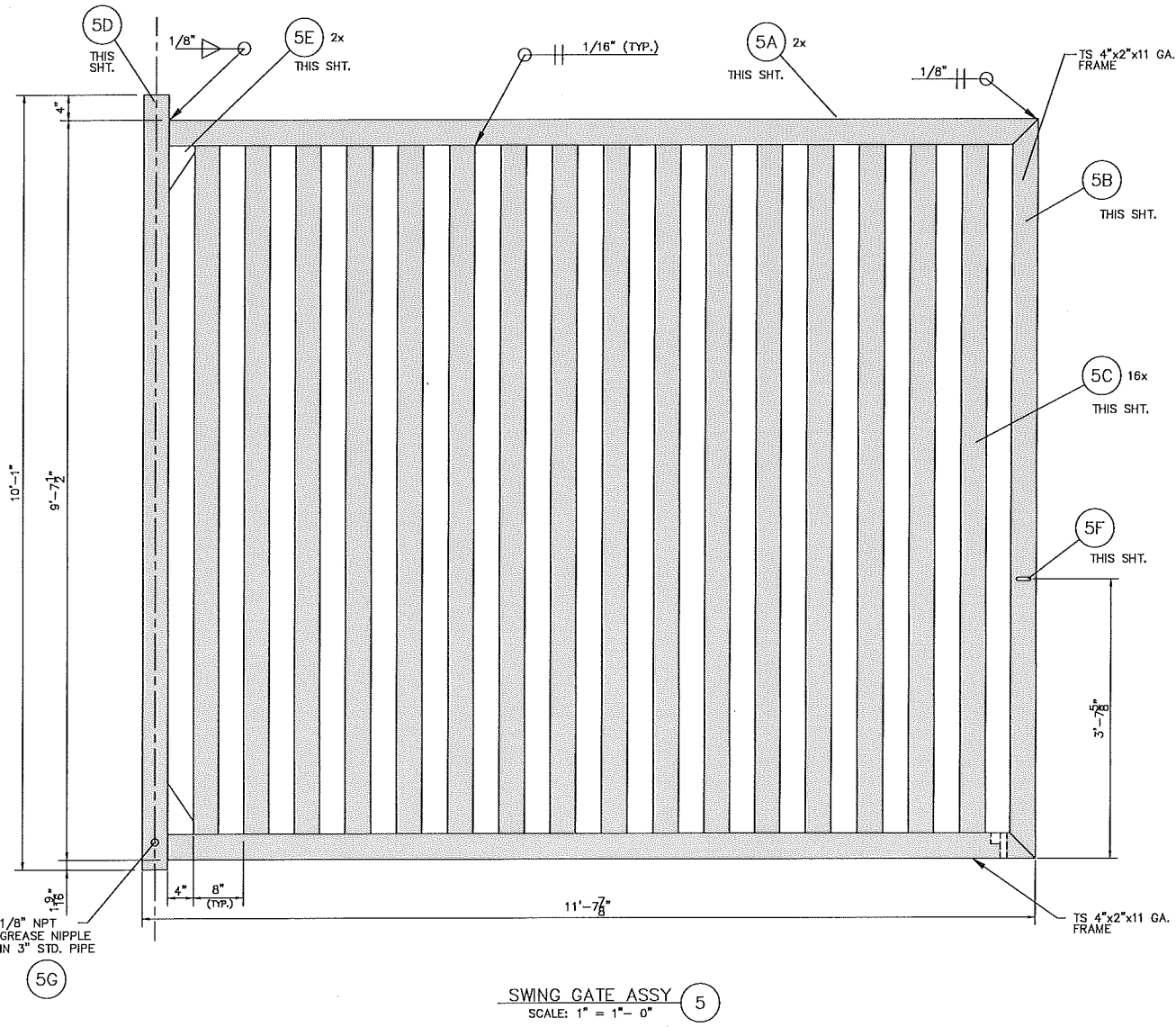


BASE ANGLE (4C)
4x4x3/8" ANGLE
SCALE: 3" = 1'-0"



REVISION	NO.	DATE	BY	<p>PNM PUBLIC SERVICE COMPANY OF NEW MEXICO</p> <p>SECTION AND DETAIL VIEWS SWING GRILL ASSEMBLY & PIECE PARTS STANDARD INSTALLATION DETAILS</p> <p>DR: JLS TR: DATE: 09/08/2020 CKD: OK: SCALE: AS NOTED APP: ACAD FILE: USS2160S4 REV. NO. USS2160S4</p>

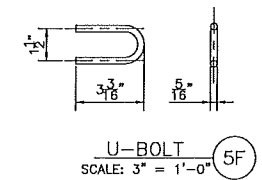
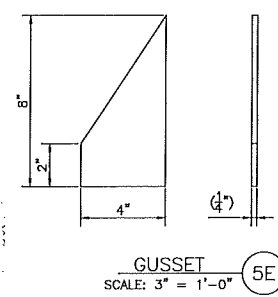
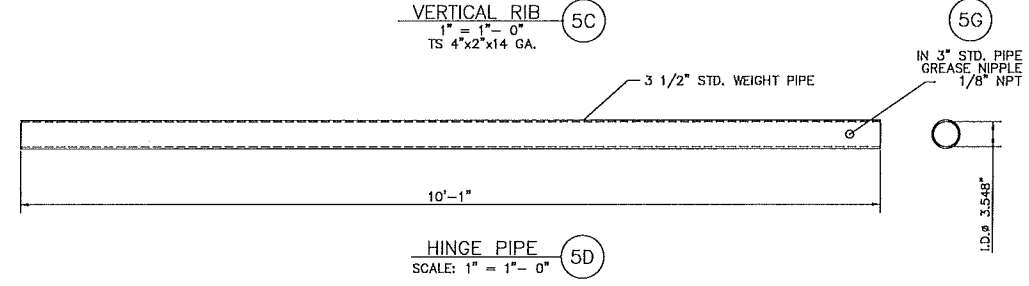
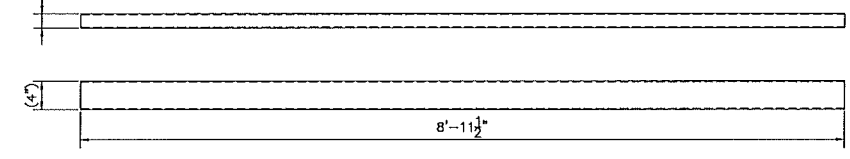
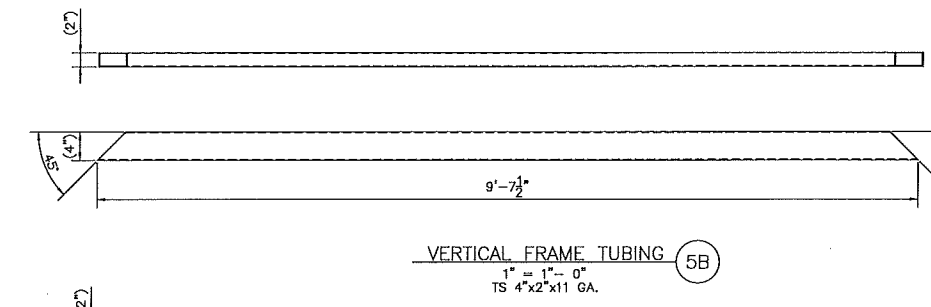
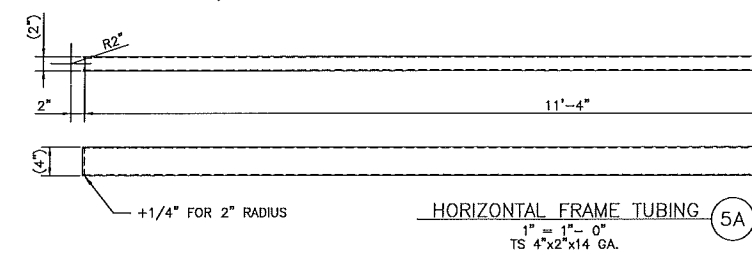
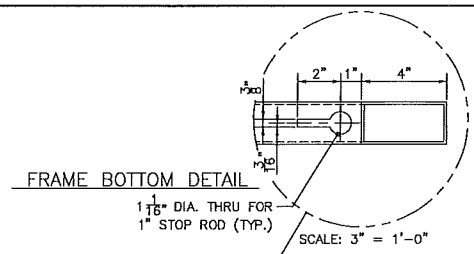
PROPRIETARY STATEMENT
THIS DOCUMENT AND ALL PREVIOUS ISSUES ARE THE PROPERTY OF PUBLIC SERVICE COMPANY OF NEW MEXICO ("PNM") AND NEITHER RECEIPT NOR POSSESSION THEREOF IMPLIES OR TRANSFERS ANY RIGHT OR LICENSE TO USE THIS DOCUMENT THE SUBJECT MATTER THEREOF OR ANY DESIGN OR TECHNICAL INFORMATION SHOWN THEREON OR ANY RIGHT TO REPRODUCE THIS DOCUMENT OR ANY PART THEREOF. NEITHER THIS DOCUMENT NOR ANY INFORMATION CONTAINED THEREIN MAY BE COPIED, REPRODUCED, OR OTHERWISE USED OR DISCLOSED TO ANY OTHER PARTY WITHOUT FIRST OBTAINING THE EXPRESS WRITTEN PERMISSION OF PNM. THIS DOCUMENT IS PROVIDED UNDER THE EXPRESS CONDITION THAT IT WILL BE HELD IN CONFIDENCE BY THE RECIPIENT, THAT IT IS SUBJECT TO RETURN UPON DEMAND, AND THAT IT WILL NOT BE USED IN ANY WAY DETRIMENTAL TO PNM.



SWING GATE ASSY 5
SCALE: 1" = 1'-0"

BILL OF MATERIALS

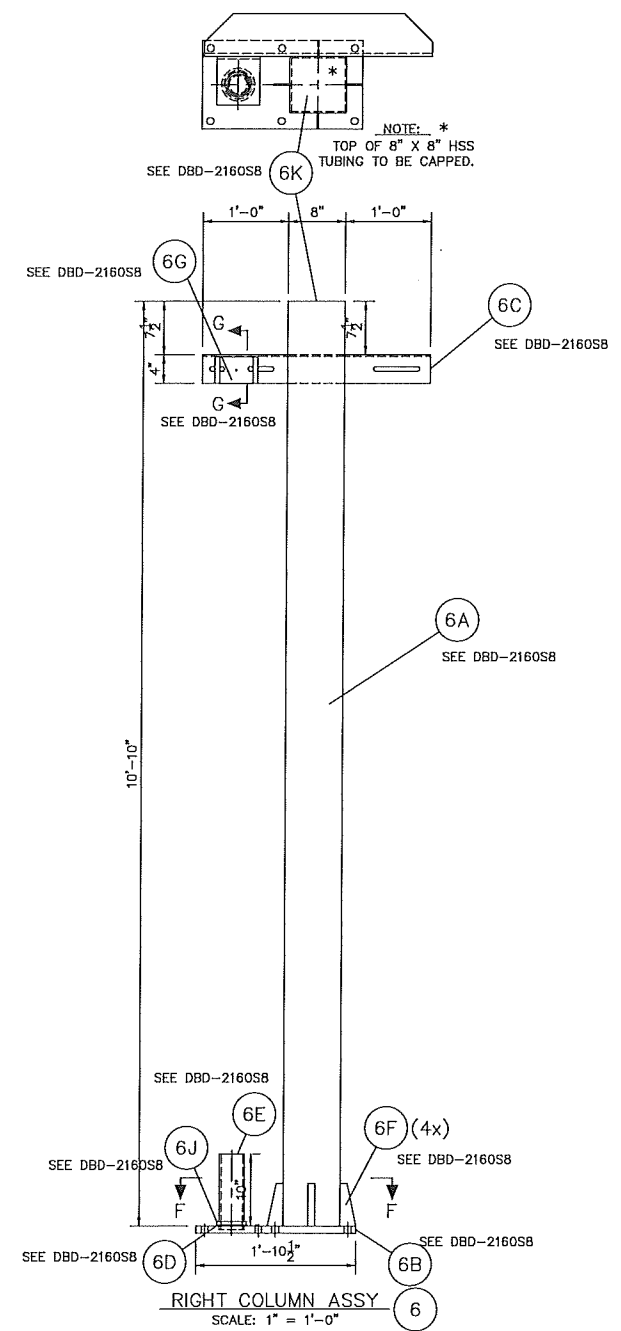
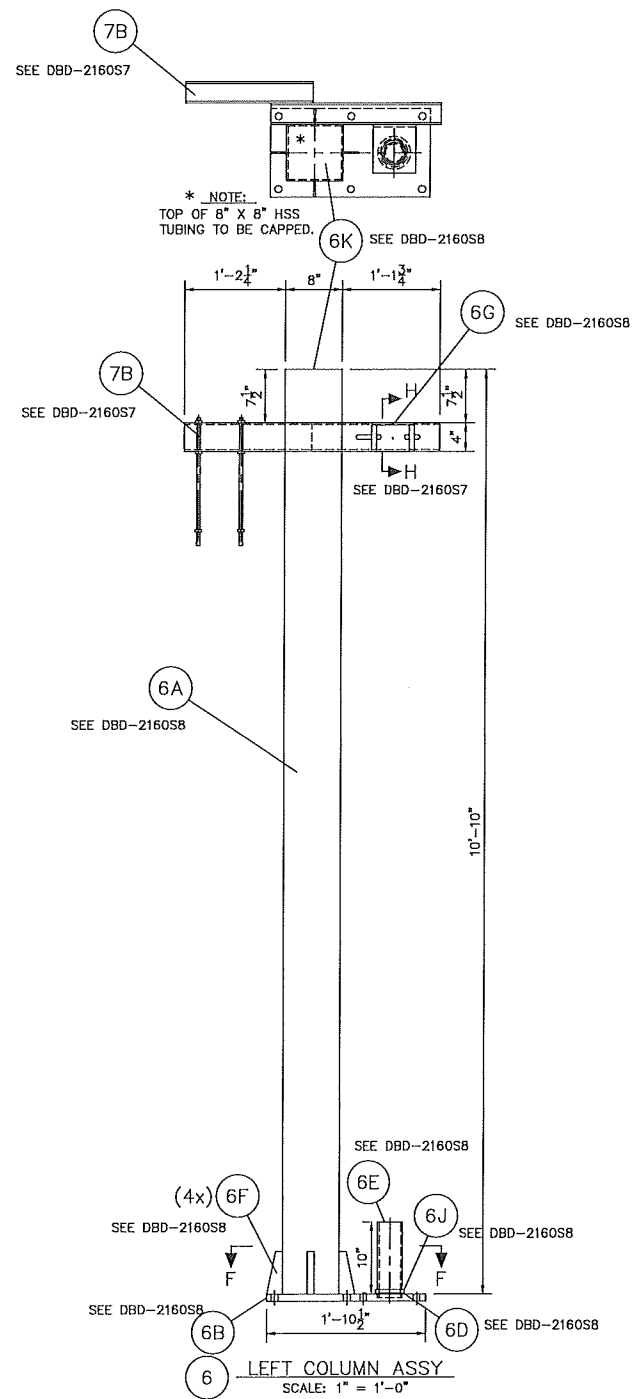
ITEM #	ASSEMBLED ITEM MATERIALS	PIECE DESCRIPTION	QTY.	ITEM EXT. QTY.	SHEET #
SWING GATE ASSEMBLY:					
5A	TS 4"x2"x11 GA.	HORIZONTAL FRAME TUBING	2	4	S5
5B	TS 4"x2"x11 GA.	VERTICAL FRAME TUBING	1	2	S5
5C	TS 4"x2"x11 GA.	VERTICAL RIB	16	32	S5
5D	ID Ø 3.548, 3 1/2" STD. WEIGHT PIPE	HINGE PIPE	1	2	S5
5E	1/4" STEEL PLATE	GUSSET	1	2	S5
5F	3"x1-1/2", 5/16" U-BOLT	U-BOLT (LOCK ASSEMBLY)	1	1	S5
5G	1/8" NPT GREASE NIPPLE	GREASE NIPPLE	1	2	S5



PROPRIETARY STATEMENT
THIS DOCUMENT AND ALL PREVIOUS ISSUES ARE THE PROPERTY OF PUBLIC SERVICE COMPANY OF NEW MEXICO (\"PNM\") AND NEITHER RECEIPT NOR POSSESSION THEREOF INTENDS OR TRANSFERS ANY RIGHT IN OR LICENSE TO USE THIS DOCUMENT THE SUBJECT MATTER THEREOF OR ANY DESIGN OR TECHNICAL INFORMATION SHOWN THEREON OR ANY RIGHT TO REPRODUCE THIS DOCUMENT OR ANY PART THEREOF. NEITHER THIS DOCUMENT NOR ANY INFORMATION CONTAINED THEREIN MAY BE COPIED, REPRODUCED, OR OTHERWISE USED OR DISCLOSED TO ANY OTHER PARTY WITHOUT FIRST OBTAINING THE EXPRESS WRITTEN PERMISSION OF PNM. THIS DOCUMENT IS PROVIDED UNDER THE EXPRESS CONDITION THAT IT WILL BE HELD IN CONFIDENCE BY THE RECIPIENT, THAT IT IS SUBJECT TO RETURN UPON DEMAND, AND THAT IT WILL NOT BE USED IN ANY WAY DETRIMENTAL TO PNM.

PNM PUBLIC SERVICE COMPANY OF NEW MEXICO			
ELEVATION VIEW & DETAILS			
SWING GATE ASSEMBLY & PIECE PARTS			
STANDARD INSTALLATION & DETAILS			
DR: JLS	TR:	DATE: 09/08/2020	
CKD:	OK:	SCALE: AS NOTED	
APP:	ACAD FILE:	USS-2160S5	
REV. NO.	USS2160S5		

REVISION	BY
NO.	DATE



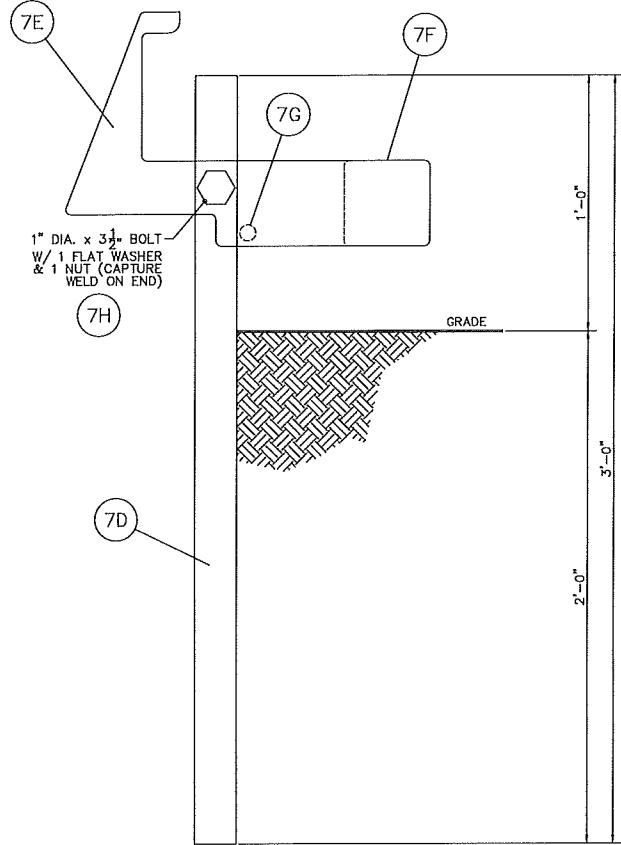
REVISION	NO.	DATE	BY

PROPRIETARY STATEMENT	
THIS DOCUMENT AND ALL PREVIOUS ISSUES ARE THE PROPERTY OF PUBLIC SERVICE COMPANY OF NEW MEXICO ("PNM") AND NEITHER RECEIPT FOR POSSESSION THEREOF CONSTITUTES AN ENDORSEMENT OR TRANSFER OF ANY RIGHT OR LICENSE TO USE THIS DOCUMENT OR ANY INFORMATION CONTAINED THEREIN FOR ANY PURPOSE OTHER THAN THAT FOR WHICH IT WAS ORIGINALLY INTENDED. NEITHER THIS DOCUMENT NOR ANY INFORMATION CONTAINED THEREIN MAY BE COPIED, REPRODUCED, OR OTHERWISE USED OR DISCLOSED TO ANY OTHER PARTY WITHOUT FIRST OBTAINING THE EXPRESS WRITTEN PERMISSION OF PNM. THIS DOCUMENT IS PROVIDED UNDER THE EXPRESS CONDITION THAT IT WILL BE HELD IN CONFIDENCE BY THE RECIPIENT, THAT IT IS SUBJECT TO RETURN UPON DEMAND, AND THAT IT WILL NOT BE USED IN ANY WAY DETRIMENTAL TO PNM.	

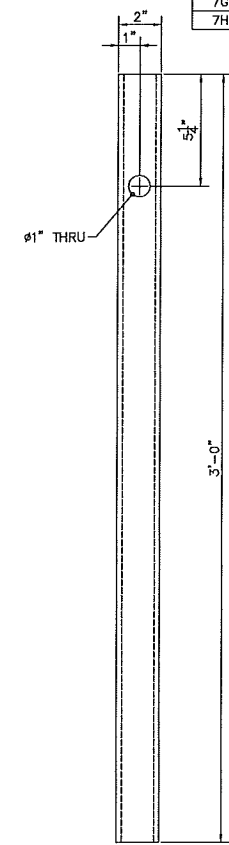
PNM PUBLIC SERVICE COMPANY OF NEW MEXICO		
PLAN & SECTION VIEWS COLUMN ASSEMBLY & PIECE PARTS STANDARD INSTALLATION DETAILS		
DR: JLS	TR:	DATE: 09/08/2020
CKD:	OK:	SCALE: AS NOTED
APP:	ACAD FILE:	USS-2160S6
REV. NO.	USS2160S6	USS-2160S6

ITEM #	ASSEMBLED ITEM MATERIALS	PIECE DESCRIPTION	QTY.	ITEM EXT. QTY.	SHEET #
GATE STOP ASSEMBLY:					
7D	2"x2" SQUARE STEEL POST	SQUARE POST	1	2	S7
7E	1/4" PLATE	GATE STOP	1	2	S7
7F	1/4" STEEL POST	GATE STOP WEIGHT	1	2	S7
7G	3/4" STEEL ROD	STOP	1	2	S7
7H	1"x3-1/2" BOLT W/ NUT AND WASHER	GATE STOP BOLT	1	2	S7

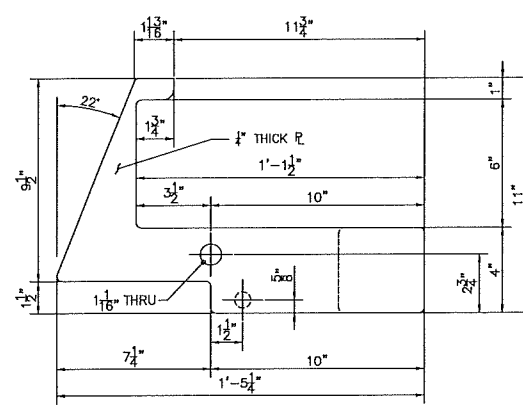
ITEM #	ASSEMBLED ITEM MATERIALS	PIECE DESCRIPTION	QTY.	ITEM EXT. QTY.	SHEET #
TUBULAR EMBED ASSEMBLY:					
7A	TUBULAR EMBED ASSEMBLY	TUBE	1	2	S7
7B	TUBULAR EMBED ASSEMBLY	EMBED TUBE	1	2	S7
7C	TUBULAR EMBED ASSEMBLY	EMBED ANCHOR BOLT	2	4	S7
	5/8" X 4" GALV. HEX BOLT W/ NUT, 2 FLAT WASHERS & 1 LOCK WASHER		1	2	S7



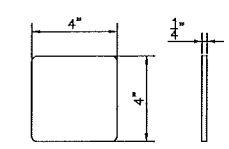
GATE STOP ASS'Y (7)
GATE STOP PAINTED ANSI YELLOW
SCALE: 3" = 1'-0"



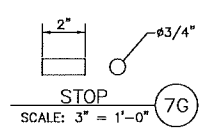
GATE STOP SQUARE POST (7D)
SCALE: 3" = 1'-0"



GATE STOP (7E)
NOTE: ALL FILLETS & ROUNDS TO BE 1/2"
SCALE: 3" = 1'-0"

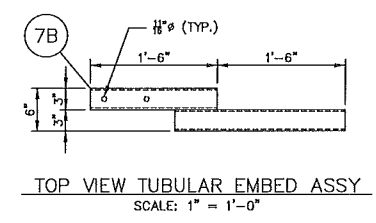


GATE STOP WEIGHT (7F)
NOTE: ALL RADII TO BE 1/4"
SCALE: 3" = 1'-0"

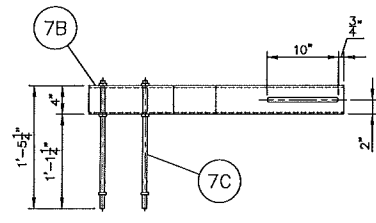


STOP (7G)
SCALE: 3" = 1'-0"

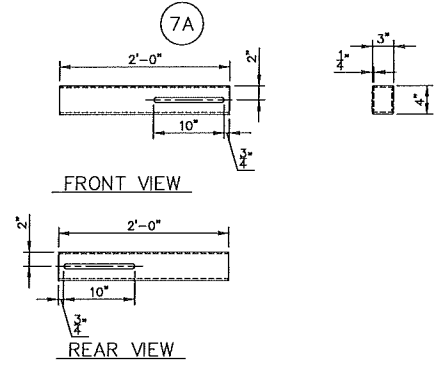
GATE STOP ASSEMBLY (OPEN)



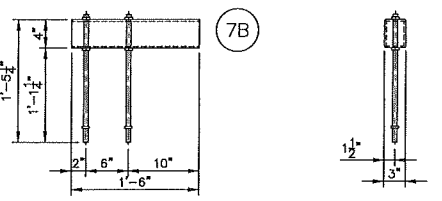
TOP VIEW TUBULAR EMBED ASSY
SCALE: 1" = 1'-0"



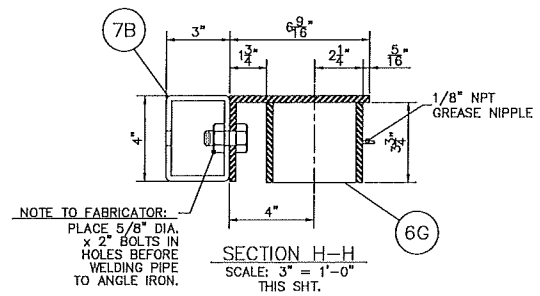
FRONT VIEW TUBULAR EMBED ASSY
SCALE: 1" = 1'-0"



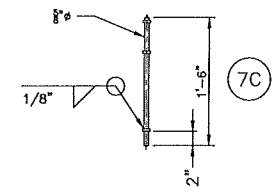
FRONT VIEW (7A)
REAR VIEW
TUBE
SCALE: 1" = 1'-0"



EMBED TUBE (7B)
SCALE: 1" = 1'-0"



SECTION H-H (7B)
NOTE TO FABRICATOR:
PLACE 5/8" DIA. X 2" BOLTS IN HOLES BEFORE WELDING PIPE TO ANGLE IRON.
SCALE: 3" = 1'-0"
THIS SHIT.



EMBED ANCHOR BOLT (7C)
SCALE: 1" = 1'-0"

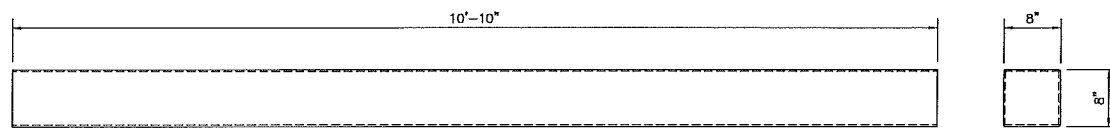
TUBULAR EMBED ASSEMBLY



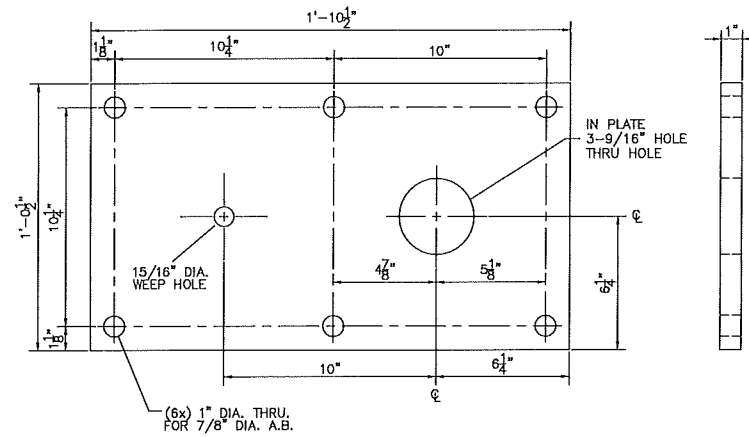
REVISION	NO.	DATE	BY

PROPRIETARY STATEMENT
THIS DOCUMENT AND ALL PREVIOUS ISSUES ARE THE PROPERTY OF PUBLIC SERVICE COMPANY OF NEW MEXICO ("PNM") AND NEITHER RECEIPT NOR POSSESSION THEREOF CONSTITUTES AN ASSIGNMENT OF ANY RIGHTS OR INTERESTS IN OR TRANSFERS ANY RIGHTS IN OR LICENSE TO USE THIS DOCUMENT THE SUBJECT MATTER THEREOF OR ANY DESIGN OR TECHNICAL INFORMATION SHOWN THEREON OR ANY RIGHT TO REPRODUCE THIS DOCUMENT OR ANY PART THEREOF, NEITHER THIS DOCUMENT NOR ANY INFORMATION CONTAINED THEREIN MAY BE COPIED, REPRODUCED, OR OTHERWISE USED OR DISCLOSED TO ANY OTHER PARTY WITHOUT FIRST OBTAINING THE EXPRESS WRITTEN PERMISSION OF PNM. THIS DOCUMENT IS PROVIDED UNDER THE EXPRESS CONDITION THAT IT WILL BE HELD IN CONFIDENCE BY THE RECIPIENT, THAT IT IS SUBJECT TO RETURN UPON DEMAND, AND THAT IT WILL NOT BE USED IN ANY WAY DETRIMENTAL TO PNM.

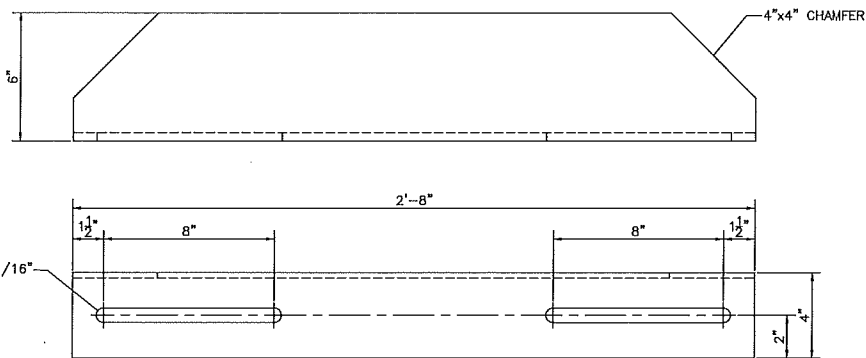
PNM PUBLIC SERVICE COMPANY OF NEW MEXICO		
PLAN & SECTION VIEWS GATE STOP & TUBULAR EMBED STANDARD INSTALLATION DETAILS		
DR: JLS	TR:	DATE: 09/08/2020
CKD:	OK:	SCALE: AS NOTED
APP:	ACAD FILE:	USS-2160S7
REV. NO.	USS2160S7	USS-2160S7



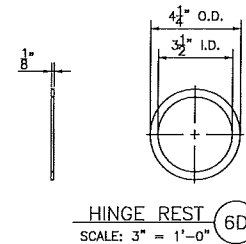
COLUMN SQUARE TUBING (6A)
8"x8"x3/8" HSS
SCALE: 1" = 1'-0"



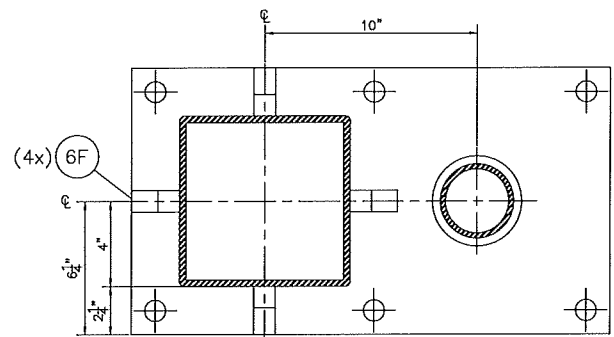
COLUMN BASE PLATE (6B)
SCALE: 3" = 1'-0"
1" THICK A36



HINGE ADJUSTER (6C)
SCALE: 3" = 1'-0"
L 6"x4"x3/8"

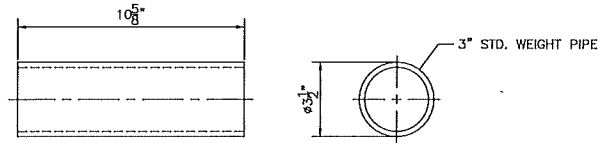


HINGE REST (6D)
SCALE: 3" = 1'-0"

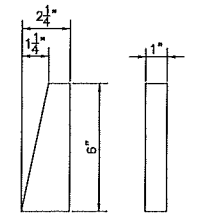


(4x) 6F

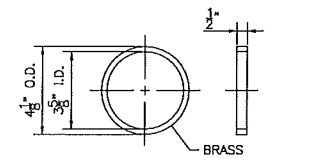
SECTION F-F
SCALE: 3" = 1'-0"



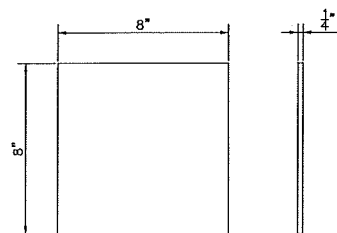
LOWER HINGE PIPE (6E)
SCALE: 3" = 1'-0"



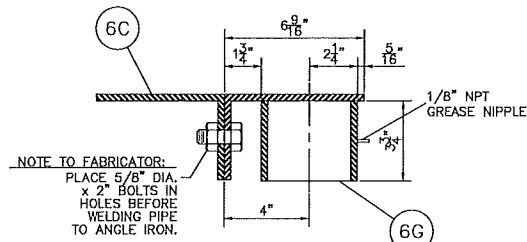
WEB (6F)
SCALE: 3" = 1'-0"



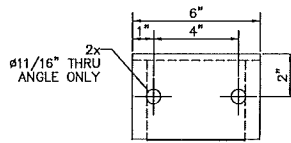
BRASS BEARING BUSHING (6J)
SCALE: 3" = 1'-0"



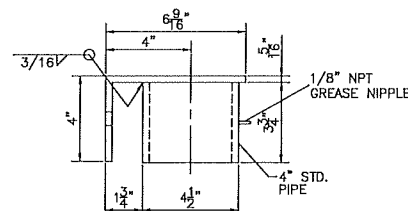
TOP CAP (6K)
SCALE: 3" = 1'-0"
1/4" THICK



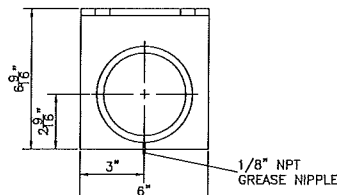
SECTION G-G
SCALE: 3" = 1'-0"
THIS SHIT.



BACK VIEW (HINGE)



SIDE VIEW (HINGE) (6G)
SCALE: 3" = 1'-0"



BOTTOM VIEW (HINGE)

NOTE TO FABRICATOR:
PLACE 5/8" DIA.
x 2" BOLTS IN
HOLES BEFORE
WELDING PIPE
TO ANGLE IRON.

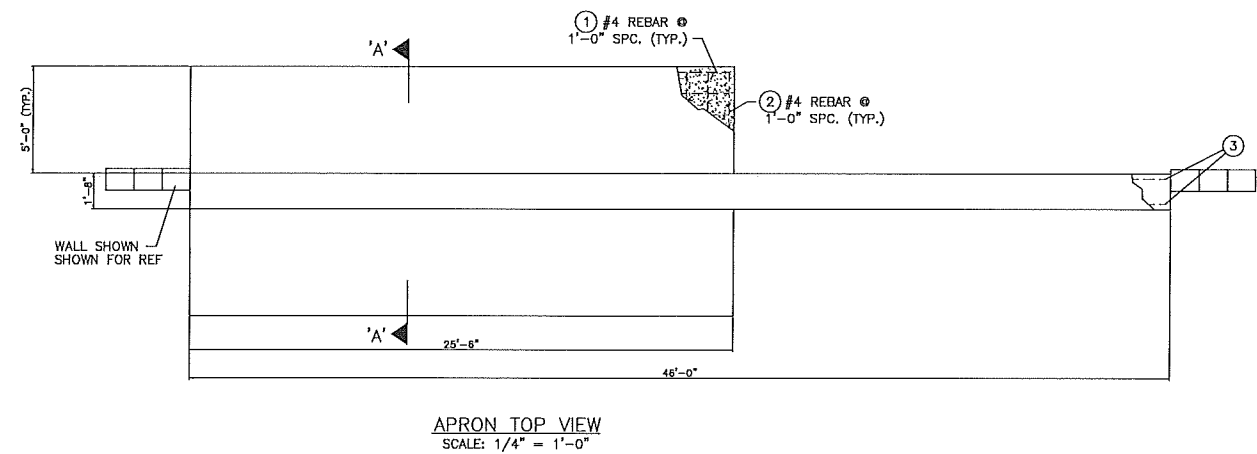
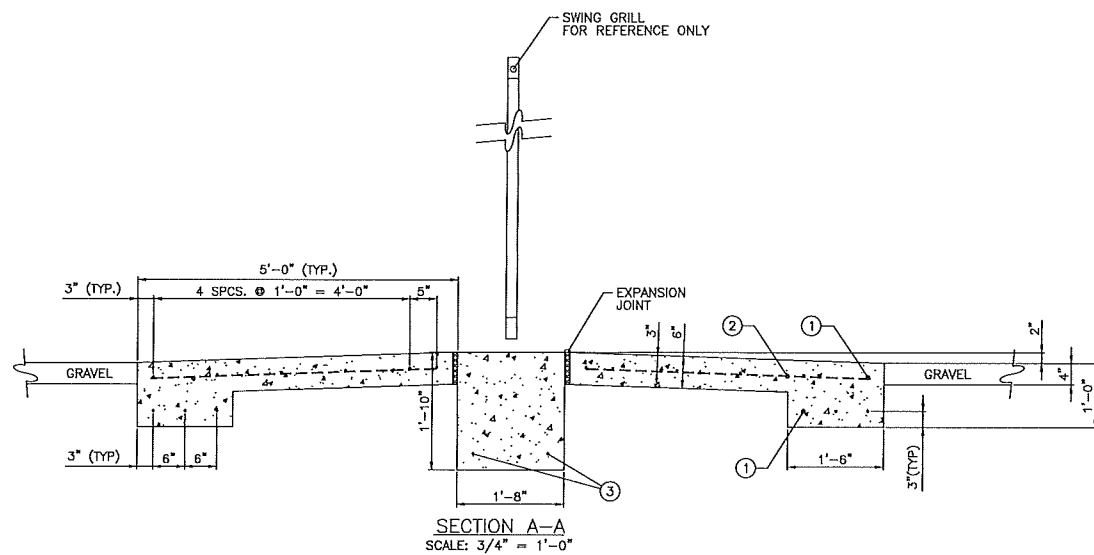
BILL OF MATERIALS					
COLUMN ASSEMBLY:					
		1	2	S6	
6A	8"x8"x3/8" HSS	COLUMN SQUARE TUBING	1	2	S6
6B	1"xA36	COLUMN BASE PLATE	1	2	S6
6C	L 6"x4"x5/16"	HINGE ADJUSTER	1	1	S6
6D	IDØ 3.348, 3-1/2" STD. WEIGHT PIPE	HINGE REST	1	2	S6
6E	ODØ 3.5", 3" STD. WEIGHT PIPE	LOWER HINGE PIPE	1	2	S6
6F	1" STEEL PIPE	WEB	4	8	S6
6G	ODØ 4.5", 4" STD. WEIGHT PIPE	HINGE	1	2	S6
6G	L 6"x4"x5/16" ANGLE	HINGE	1	2	S6
6G	5/8"x2" GALV. BOLT	HINGE	1	2	S6
6G	5/8" GALV. NUT	HINGE	1	2	S6
6G	5/8" GALV. LOCKWASHER	HINGE	1	2	S6
6G	5/8" GALV. FLATWASHER	HINGE	2	4	S6
6J	1/2" BRASS PLATE	BRASS BEARING BUSHING	1	2	S6
6K	1/4" STEEL PLATE TO FIT	COLUMN TOP CAP	1	1	S6



REVISION	DATE	BY
NO.		

PROPRIETARY STATEMENT
THIS DOCUMENT AND ALL PREVIOUS ISSUES ARE THE PROPERTY OF PUBLIC SERVICE COMPANY OF NEW MEXICO ("PNM") AND NEITHER RECEIPT NOR POSSESSION THEREOF INFERS OR TRANSFERS ANY RIGHT OR LICENSE TO USE THIS DOCUMENT THE SUBJECT MATTER THEREOF OR ANY DESIGN OR TECHNICAL INFORMATION SHOWN THEREON OR ANY RIGHT TO REPRODUCE THIS DOCUMENT OR ANY PART THEREOF. NEITHER THIS DOCUMENT NOR ANY INFORMATION CONTAINED THEREIN MAY BE COPIED, REPRODUCED, OR OTHERWISE USED OR DISCLOSED TO ANY OTHER PARTY WITHOUT FIRST OBTAINING THE EXPRESS WRITTEN PERMISSION OF PNM. THIS DOCUMENT IS PROVIDED UNDER THE EXPRESS CONDITION THAT IT WILL BE HELD IN CONFIDENCE BY THE RECIPIENT, THAT IT IS SUBJECT TO RETURN UPON DEMAND, AND THAT IT WILL NOT BE USED IN ANY WAY DETRIMENTAL TO PNM.

PNM PUBLIC SERVICE COMPANY OF NEW MEXICO		
PLAN & SECTION VIEWS COLUMN ASSEMBLY PIECE PARTS STANDARD INSTALLATION DETAILS		
DR: JLS	TR:	DATE: 09/08/2020
CKD:	OK:	SCALE: AS NOTED
APP:	ACAD FILE:	USS-2160S8
REV. NO.	USS2160S8	



REBAR SCHEDULE				
APRON:				
ITEM	QTY.	SIZE	LENGTH	SHAPE
1	18	#4 GRADE 60	25'	STRAIGHT
2	52	#4 GRADE 60	4'-6"	STRAIGHT
SWING GRILL:				
3	2	#4 GRADE 60	45'-6"	STRAIGHT

- NOTE:
1. ALL REBAR TO BE GRADE 60
 2. STRENGTH OF CONCRETE @ 28 DAYS TO BE 4000 PSI.
 3. APRON TO BE SCORED AT CENTER
 4. APRON TO BE SLOPED @ 1":30"

CONCRETE SCHEDULE		
ITEM	QTY.	DESCRIPTION
APRON	7 CU. YDS. BOTH SIDES	4000 PSI AT 28 DAYS PER PNM SPECIFICATIONS
SWING GRILL FOUNDATION	5.3	4000 PSI AT 28 DAYS PER PNM SPECIFICATIONS

- NOTE:
1. ALL REBAR TO BE GRADE 60
 2. STRENGTH OF CONCRETE @ 28 DAYS TO BE 4000 PSI.



REVISION

NO.	DATE	BY

PROPRIETARY STATEMENT
 THIS DOCUMENT AND ALL PREVIOUS ISSUES ARE THE PROPERTY OF PUBLIC SERVICE COMPANY OF NEW MEXICO ("PNM") AND NEITHER RECEIPT NOR POSSESSION THEREOF INTENDS OR TRANSFERS ANY RIGHT IN OR LICENSE TO USE THIS DOCUMENT THE SUBJECT MATTER THEREOF OR ANY DESIGN OR TECHNICAL INFORMATION SHOWN THEREON OR ANY RIGHT TO REPRODUCE THIS DOCUMENT OR ANY PART THEREOF. NEITHER THIS DOCUMENT NOR ANY INFORMATION CONTAINED THEREIN MAY BE COPIED, REPRODUCED, OR OTHERWISE USED OR DISCLOSED TO ANY OTHER PARTY WITHOUT FIRST OBTAINING THE EXPRESS WRITTEN PERMISSION OF PNM. THIS DOCUMENT IS PROVIDED UNDER THE EXPRESS CONDITION THAT IT WILL BE HELD IN CONFIDENCE BY THE RECIPIENT, THAT IT IS SUBJECT TO RETURN UPON DEMAND, AND THAT IT WILL NOT BE USED IN ANY WAY DETRIMENTAL TO PNM.

PNM PUBLIC SERVICE COMPANY OF NEW MEXICO		
TOP AND SECTION VIEWS DRIVE APRON DETAILS & ASSEMBLY STANDARD INSTALLATION DETAILS		
DR: JLS	TR:	DATE: 09/08/2020
CKD:	OK:	SCALE: AS NOTED
APP:	ACAD FILE:	USS-2160S9
REV. NO.	USS2160S9	