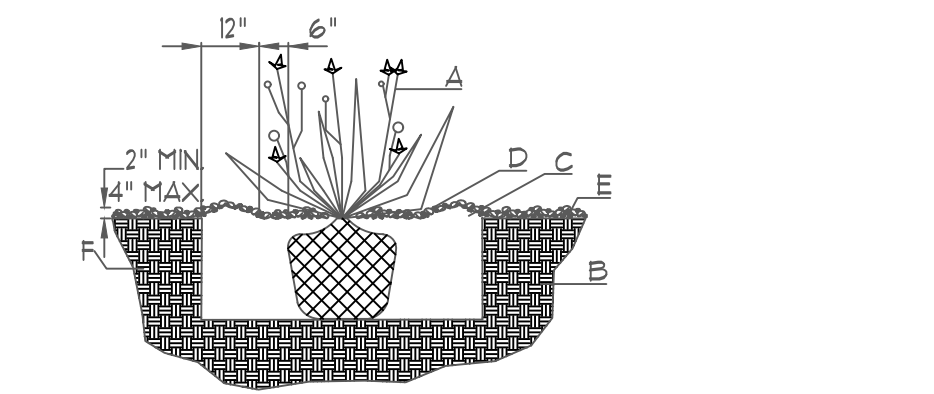


### LANDSCAPE LEGEND

QTY	SIZE	COMMON/BOTANICAL	H2O USE
<b>Trees</b>			
2	6" B"	Austrian Pine <i>Pinus nigra</i>	35x25 625 1250 M
1	15 Gal	Crape Myrtle <i>Lagerstroemia indica</i>	400 400 M
4	15 Gal	Oklahoma Redbud <i>Cercis reniformis</i>	144 576 M
11	15 Gal	Desert Willow <i>Chilopsis linearis</i>	400 4400 M 6626
<b>Shrubs &amp; Groundcovers</b>			
3	5 Gal	Karl Foerster Grass <i>Calamagrostis acutiflora 'Karl Foerster'</i>	25x3 9 27 M
5	5 Gal	Deep Blue Lavender <i>Lavender angustifolia 'Hidcote'</i>	9 45 M
2	5 Gal	Butterfly Bush <i>Buddleia davidii</i>	5x1 49 98 M
10	5 Gal	Buffalo Juniper <i>Juniperus sabina 'Buffalo'</i>	1x12 144 1440 M
19	5 Gal	Cherry Sage <i>Salvia greggii</i>	2x3 9 171 M
16	5 Gal	Blue Mist <i>Caryopteris x clandonensis</i>	3x3 9 144 M
3	5 Gal	Fern Bush <i>Chamaebotaria millefolium</i>	5x6 36 108 L
9	5 Gal	Apache Plume <i>Fallugia paradoxa</i>	6x1 49 441 L
12	5 Gal	Chamisa <i>Chrysothamnus nauseosus</i>	5x1 25 300 L 2774
8	2-3cf	Boulders <i>To be placed at contractor discretion</i>	6680
		Landscape Gravel / Filter Fabric <i>Mountainair Brown</i>	6680

### LANDSCAPE CALCULATIONS

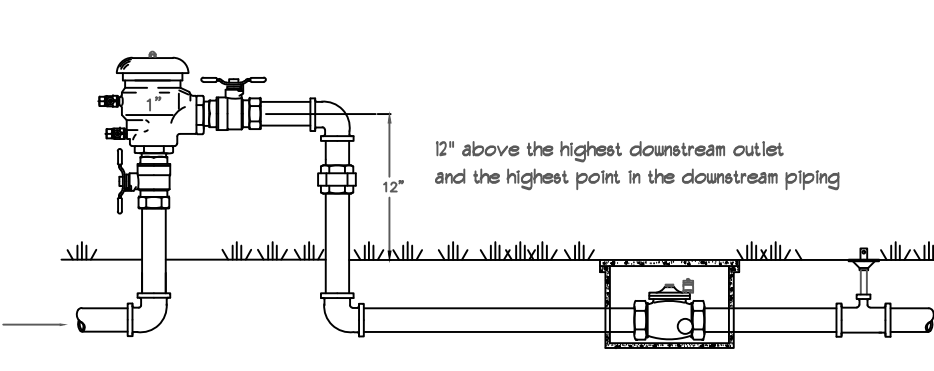
TOTAL LOT AREA (sf)	31481
TOTAL BUILDING AREA (sf) (Foot Print)	-6480
TOTAL LOT AREA (sf)	25001
LANDSCAPE REQUIREMENT	X .15
TOTAL LANDSCAPE REQUIRED ( 15% )	3750
TOTAL ON-SITE LANDSCAPE PROVIDED	6680
TOTAL LIVE PLANTS REQUIRED	5010
TOTAL LIVE PLANTS PROVIDED	9400



### SHRUB PLANTING DETAIL

NTS

**GENERAL NOTES:**  
 1. THE OUTSIDE DIAMETER OF THE WATER RETENTION BASIN SHALL BE TWICE THE DIAMETER OF THE SHRUB PLANTING PIT.  
**CONSTRUCTION NOTES:**  
 A. SHRUB.  
 B. BACKFILL WITH EXISTING SOIL.  
 C. EARTH BERM AROUND WATER RETENTION BASIN.  
 D. 3" DEPTH OF GRAVEL MULCH.  
 E. FINISH GRADE.  
 F. UNDISTURBED SOIL.



**FEBCO MODEL 765**  
Pressure Vacuum Breaker  
Outside Installation

**LANDSCAPE NOTES:**  
 Landscape maintenance shall be the responsibility of the Property Owner. The Property Owner shall maintain all landscaping in a living, healthy, and attractive condition.

Water management is the sole responsibility of the Property Owner. All landscaping shall comply with the City of Albuquerque Zoning Code. In general, water conservative, environmentally sound landscape principles will be followed in design and installation.

Landscape gravel over Filter Fabric to a minimum depth of 3" shall be placed in all landscape areas.

**IRRIGATION NOTES:**  
 Irrigation system maintenance and operation shall be the sole responsibility of the owner. It shall be the owners responsibility to ensure that fugitive water does not leave the site due to overwatering.

Irrigation shall be a complete underground system with Trees to receive 1 Netafim spiral (50' length) with 3 loops at a final radius of 4.5' from tree trunk, pined in place. Netafim shall have emitters 12" o.c. with a flow of 6 gph. Shrubs to receive (2) 10 GPH Drip Emitters. Drip and Bubblers systems to be tied to 1/2" polytube with flush caps at each end.

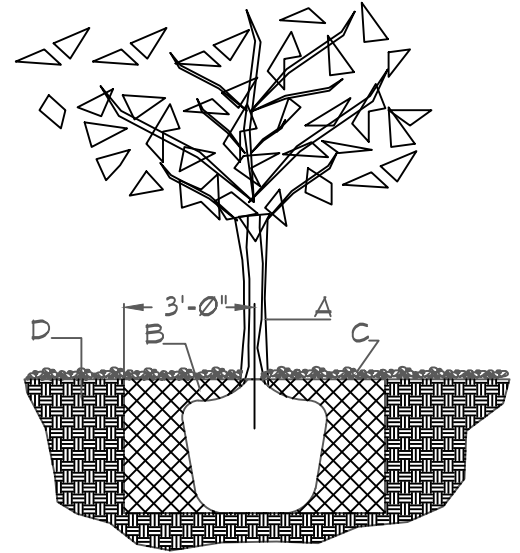
Run time per each shrub drip valve will be approximately 15 minutes per day. Tree drip valve shall run 15 hours, 3 times per week. Run time will be adjusted according to the season.

Point of connection for irrigation system is unknown at current time and will be coordinated in the field. Irrigation will be operated by automatic controller.

Location of controller to be field determined and power source for controller to be provided by others.

Irrigation maintenance shall be the responsibility of the Property Owner.

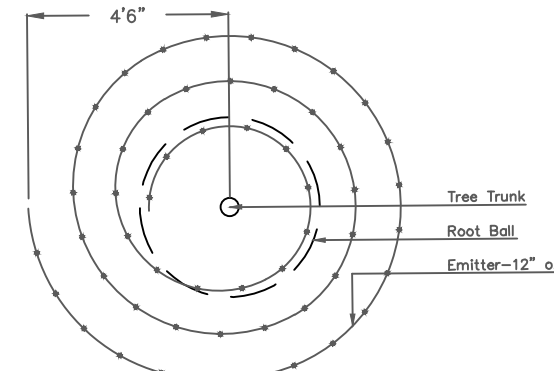
Water and Power source shall be the responsibility of the Developer/Builder.



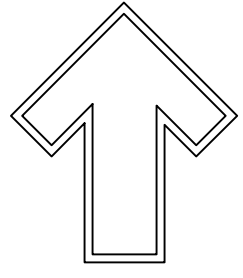
### TREE PLANTING DETAIL

NTS

**GENERAL NOTES:**  
 1. ROOTBALL SHALL BE PLACED ON UNDISTURBED SOIL TO PREVENT TREE FROM SETTLING.  
 2. TOP OF ROOTBALL INDICATED LEVEL AT WHICH TREE WAS GROWN AND DUG; THIS REPRESENTS THE LEVEL AT WHICH THE TREE SHOULD BE INSTALLED; THAT LEVEL MAY BE EXCEEDED BY ONLY A ONE INCH LAYER OF SOIL.  
 3. PRIOR TO BACKFILLING TREE, ALL WIRE, ROPE AND SYNTHETIC MATERIALS SHALL BE REMOVED FROM THE TREE AND THE PLANTING PIT.  
 4. PRIOR TO BACKFILLING ALL BURLAP SHALL BE CUT AWAY EXCEPT FROM BOTTOM OF THE ROOTBALL.  
**CONSTRUCTION NOTES:**  
 A. TREE  
 B. BACKFILL WITH EXISTING SOIL.  
 C. 3" DEPTH OF GRAVEL MULCH.  
 D. UNDISTURBED SOIL.



Netafim Spiral Detail



### GRAPHIC SCALE

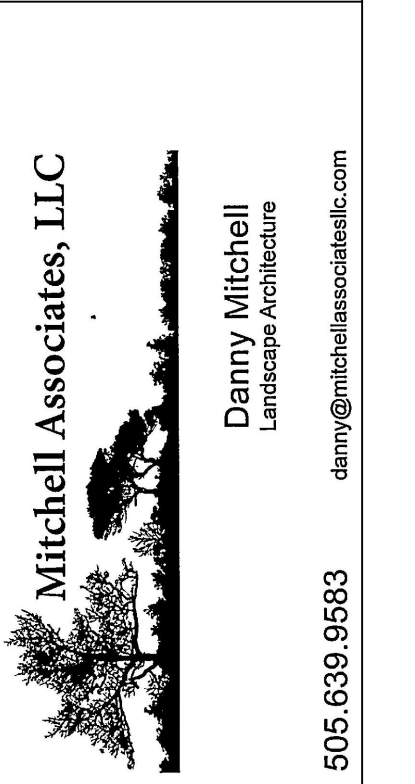


SCALE: 1" = 20'-0"

DESIGNED BY:	ID:	DATE:	REVISIONS
Drawn By:	dm		Comment
Approved By:			
Date:			

NEW MEXICO ONE CALL  
 STATEWIDE - 811 OR  
 1-800-321-ALERT (2537)  
 www.nmonecall.org  
 Call two working days  
 before you dig.

**Horizon Glass**  
 8510 San Pedro Dr. NE  
 Albuquerque, NM 87115



**Mitchell Associates, LLC**  
 Danny Mitchell  
 Landscape Architect  
 danny@mitchellassociatesllc.com  
 505.639.9563

Seal:  
 Landscape Architect  
 STATE OF NEW MEXICO  
 DANNY D. MITCHELL  
 239  
 REGISTERED  
 LANDSCAPE ARCHITECT  
 April 15, 2021

DRAWING NO:  
**LS-101**