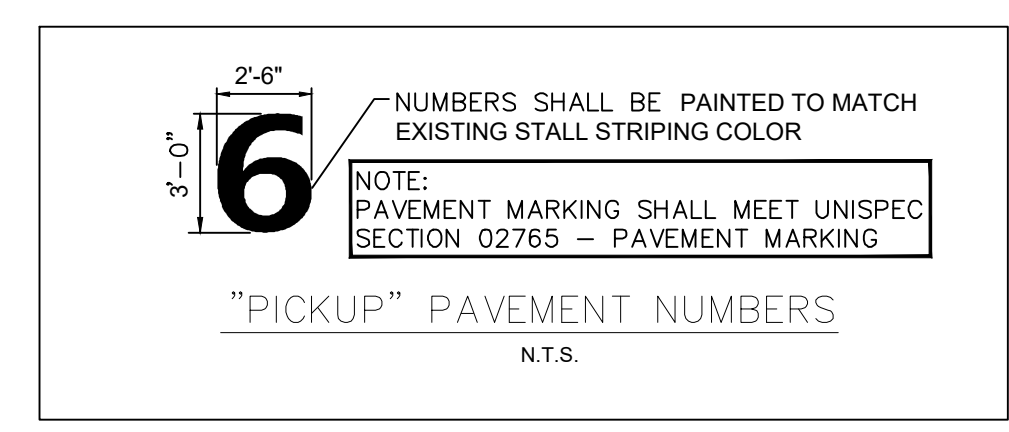
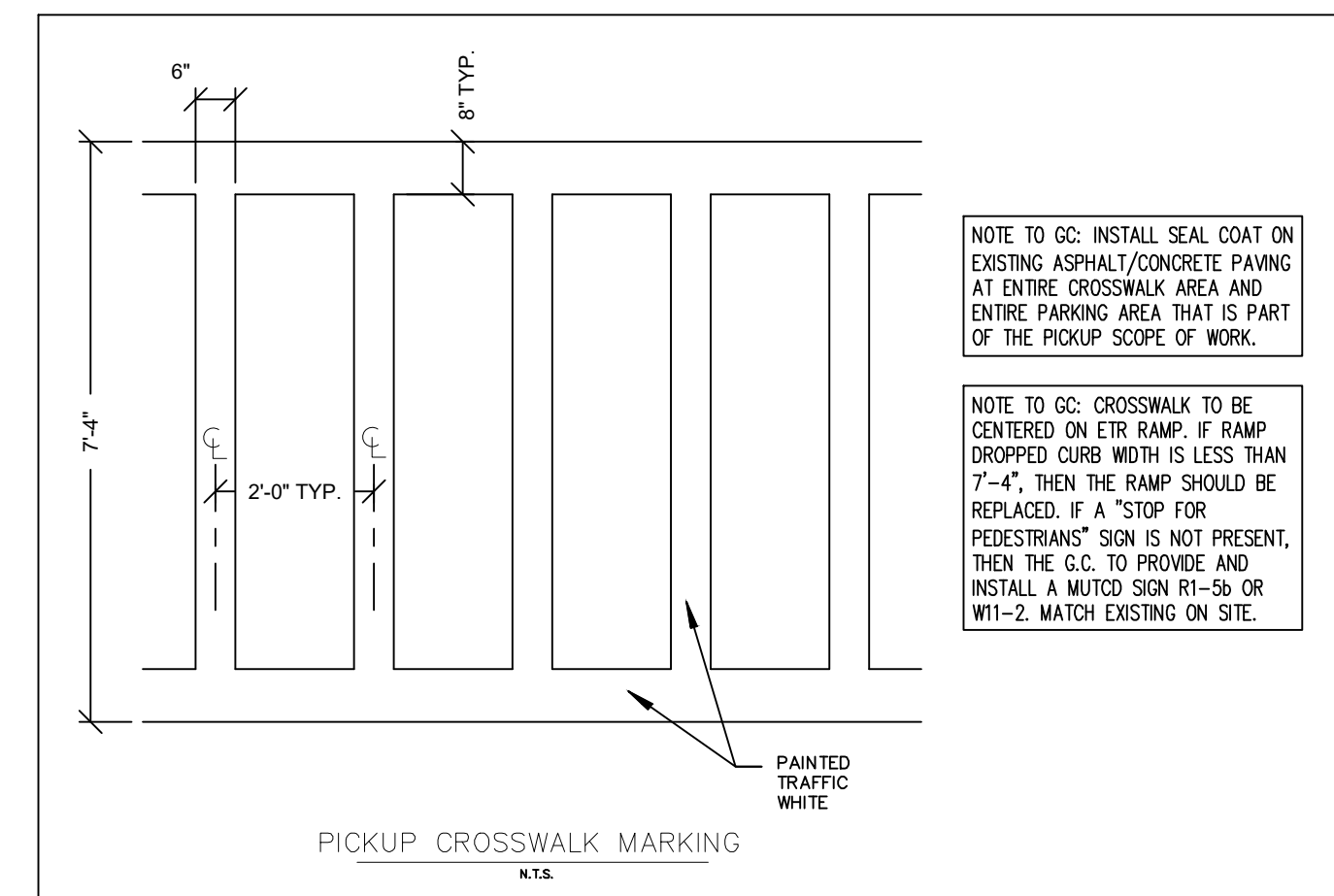
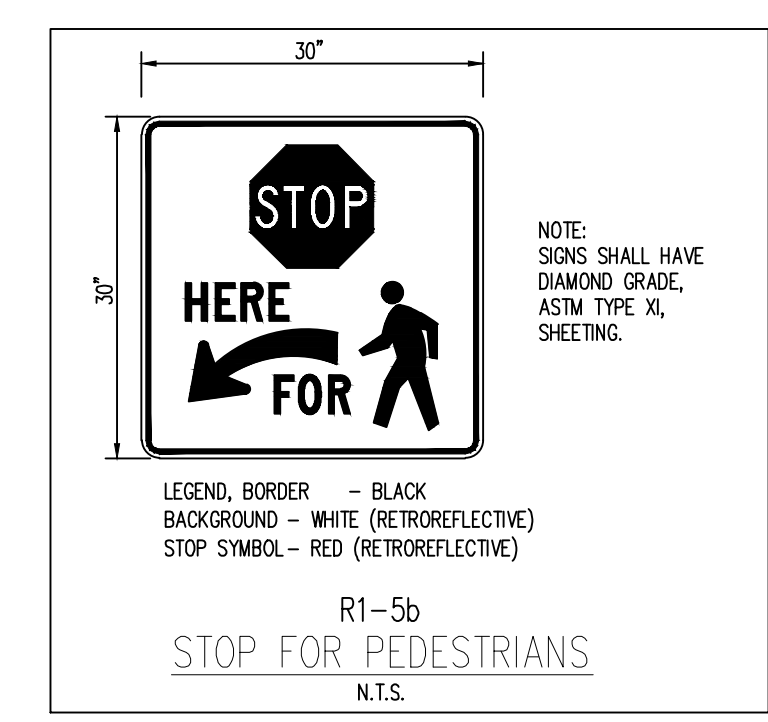


FINISH LEGEND

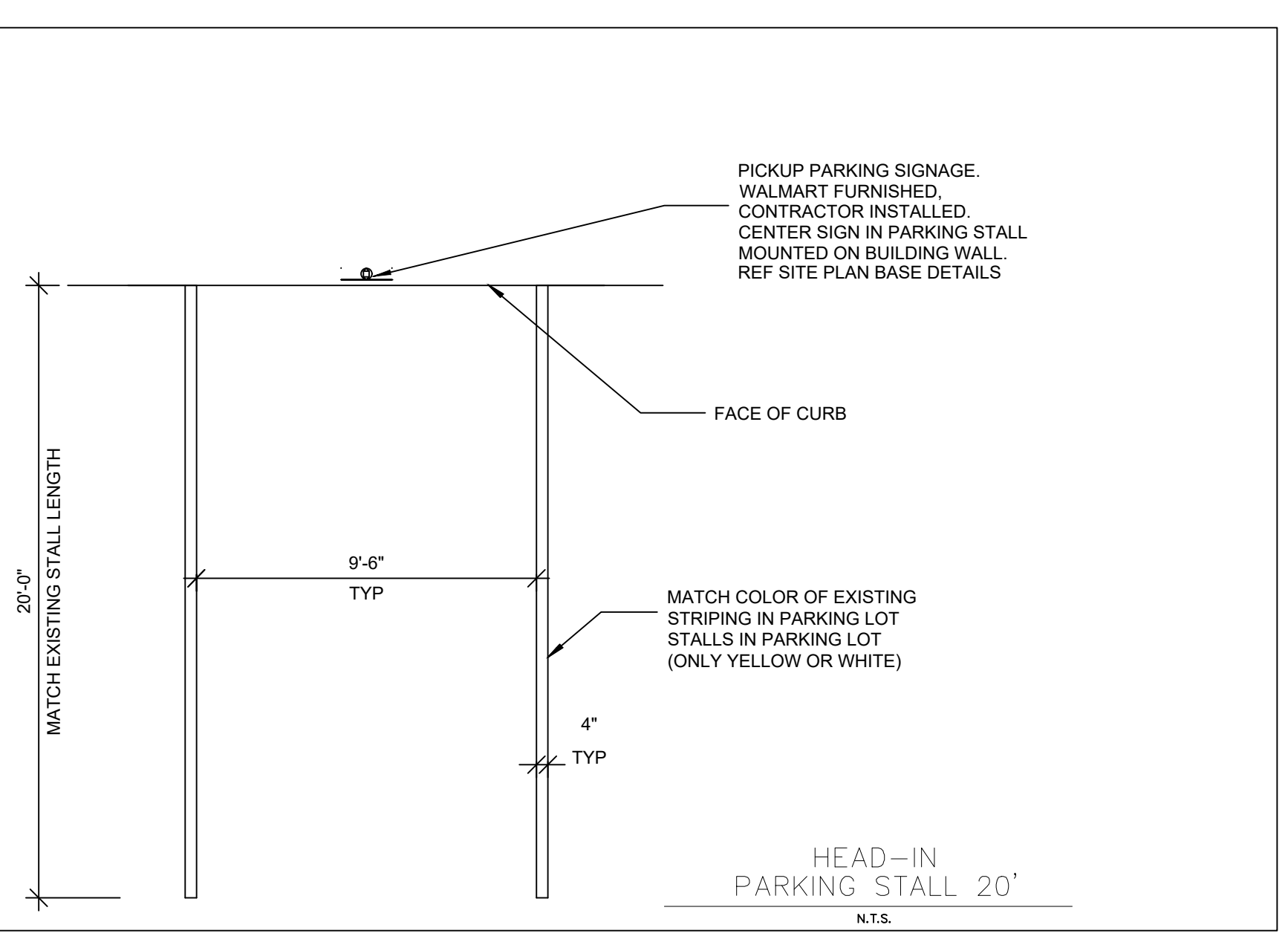
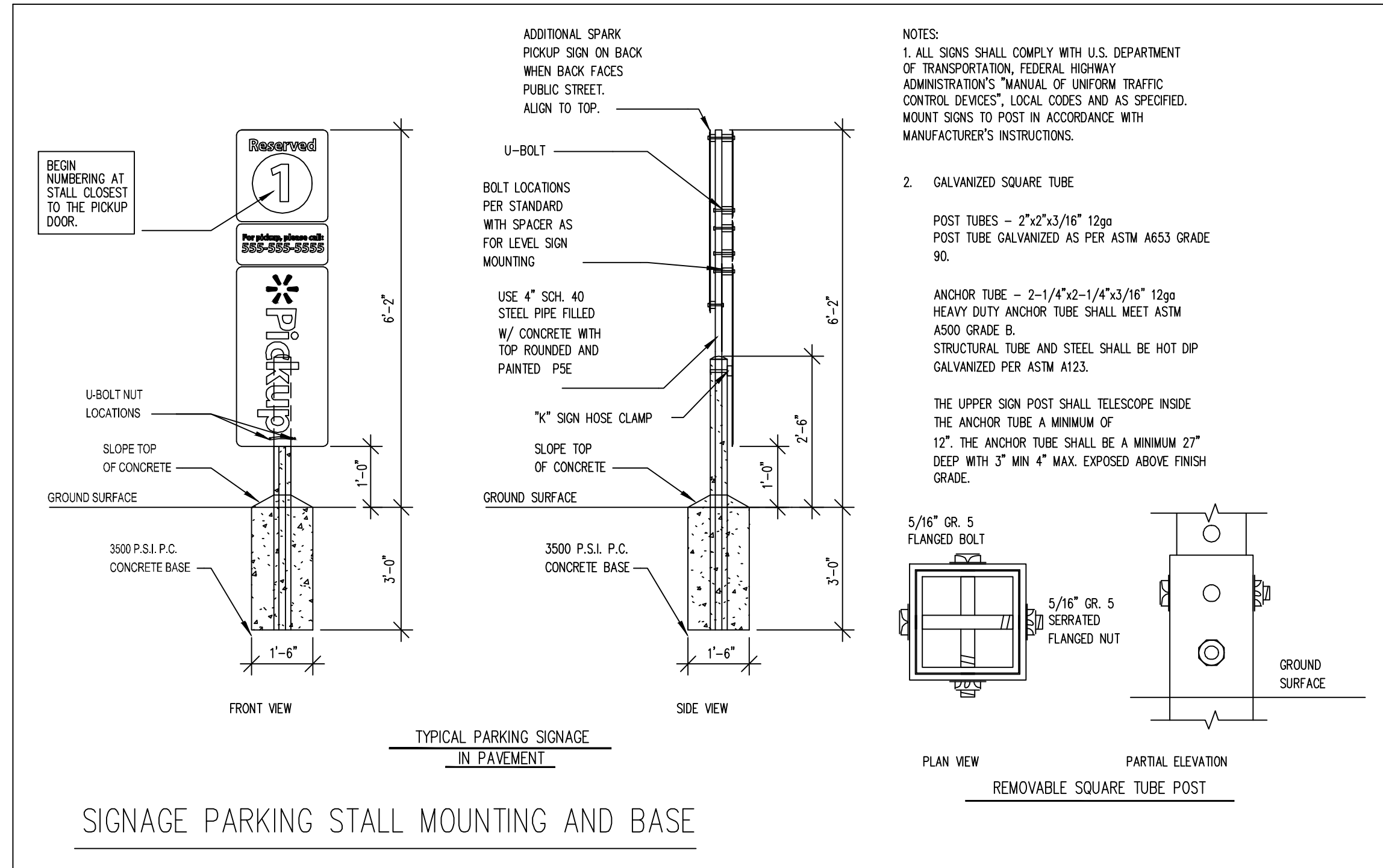
P76	WALMART BLUE SW#076
P5E	SAFETY YELLOW



Reserved signs 1 through 27. Each sign is a blue square with a white circle containing a number. Signs 1-5 are in a row, 6-10 in a row, 11-15 in a row, 16-20 in a row, 21-25 in a row, and 26-27 in a row.

Stall Designation Signs
16" x 18" 2.25 SF

Pickup Logo Signs (Large) 36" x 18"
Pickup Logo Signs (Small) 18" x 8"
Pickup Call In Sign 16" x 8" 1.00 SF
Reserved 1 Parking Stall Placard
Pickup Directional Signs (Left / Straight / Right) 18" x 24" 3.00 SF



STIPULATION FOR REUSE: THIS DRAWING WAS PREPARED FOR THE PROJECT DESCRIBED ABOVE. IT IS NOT TO BE REUSED FOR ANY OTHER PROJECT WITHOUT THE WRITTEN CONSENT OF GALLOWAY ENGINEERING, INC. ANY REUSE OF THIS DRAWING FOR ANY OTHER PROJECT WITHOUT THE WRITTEN CONSENT OF GALLOWAY ENGINEERING, INC. SHALL BE AT THE USER'S SOLE RISK AND WITHOUT LIABILITY TO GALLOWAY ENGINEERING, INC.



Walmart
ALBUQUERQUE, NM
2266 WYOMING BOULEVARD
STORE NO: 05491-245
JOB NUMBER: SGA05491.20

ISSUE BLOCK

△	AHJ	05/19/21

CHECKED BY: BDA
 DRAWN BY: DJS
 PROTO CYCLE:
 DOCUMENT DATE: 05/05/2021

SITE DETAILS

SHEET: **CS3**