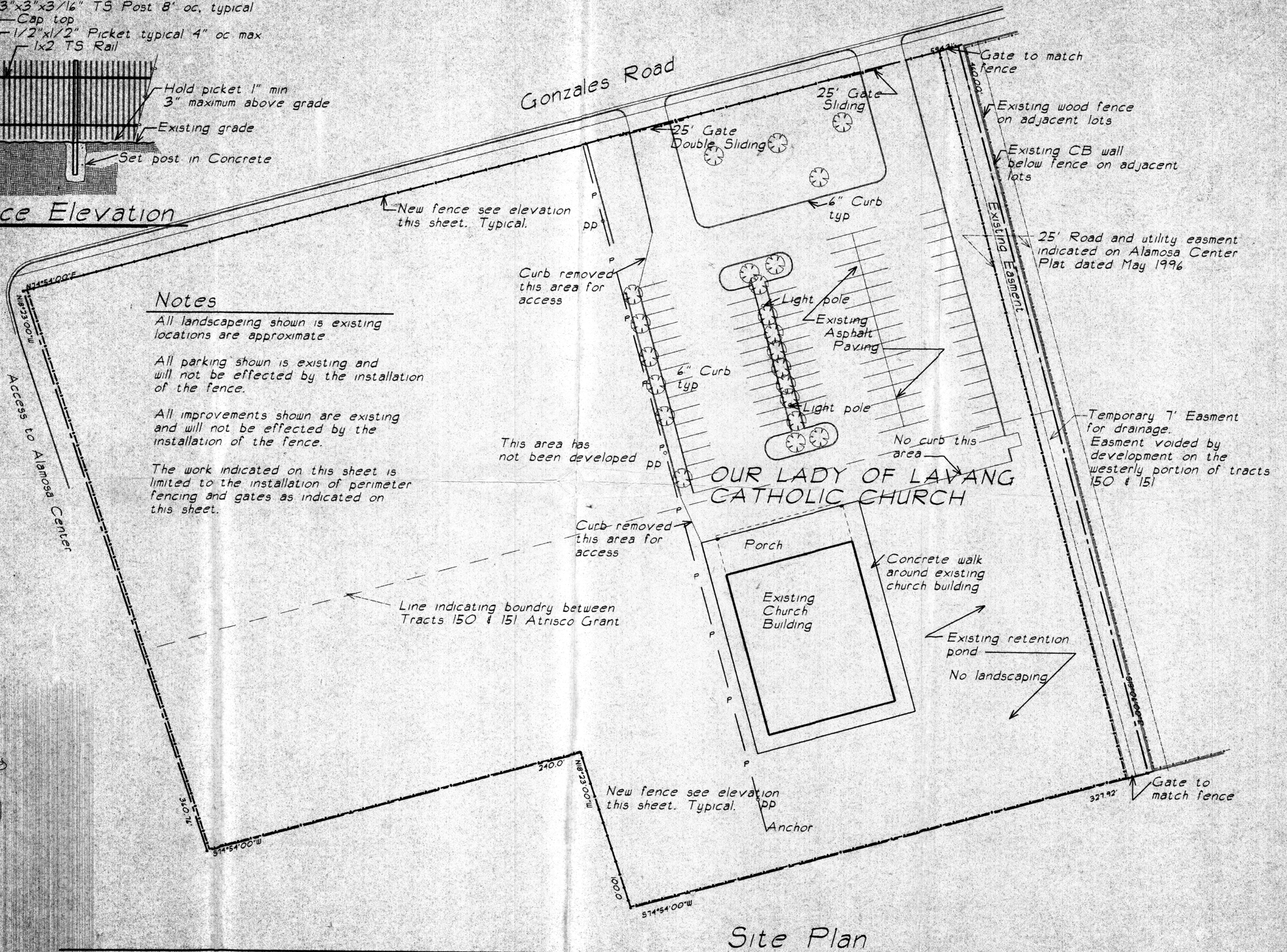


Typical Fence Elevation

NTS

Notes

- All landscaping shown is existing locations are approximate
- All parking shown is existing and will not be effected by the installation of the fence.
- All improvements shown are existing and will not be effected by the installation of the fence.
- The work indicated on this sheet is limited to the installation of perimeter fencing and gates as indicated on this sheet.



Site Plan

Scale 1"=40'

1002063 ADMINISTRATIVE  
 DEVELOPMENT PLAN AMENDMENT  
 0244  
 FILE NO. AA-01003  
 APPROVED To allow fence  
 gates  
 10/29/02  
 PLANNING DIRECTOR FOR DATE

*Spring*

REVISIONS

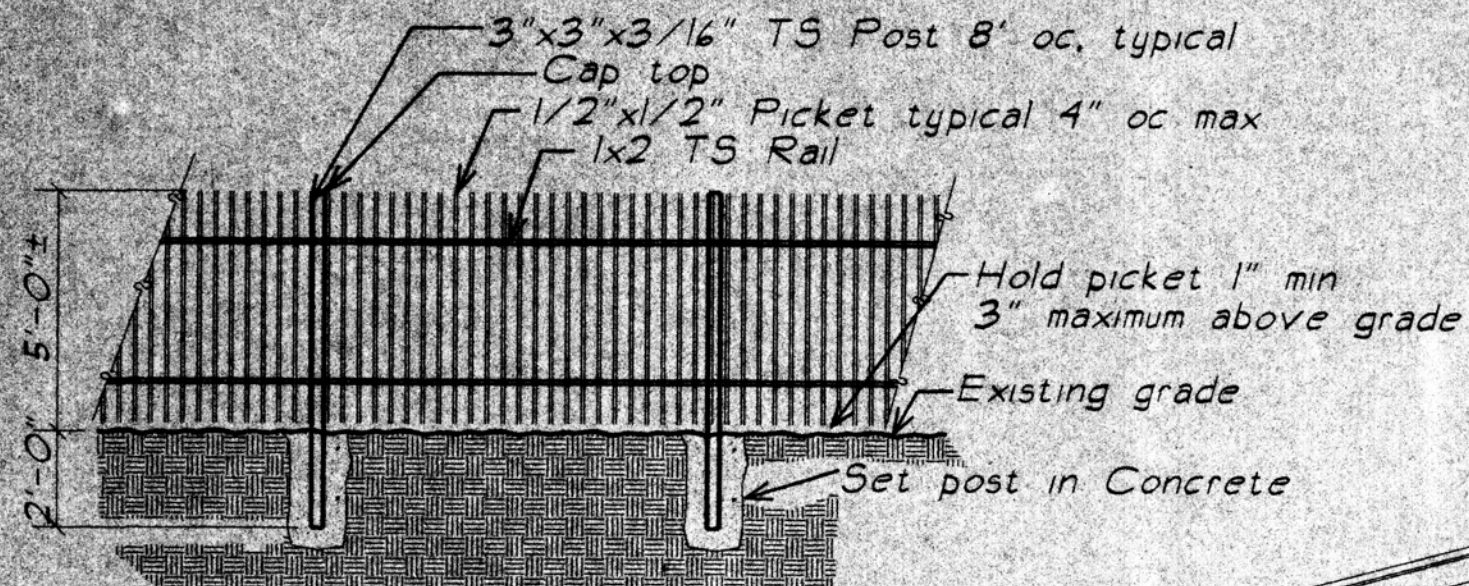
ENGINEER

ARCHITECT

**RSB ARCHITECTS**  
 BOX 2356 SANTA FE, NEW MEXICO 87502 VOICE (505)983-2743 (505)983-2743

Our Lady of Lavang  
 Catholic Church  
 6800 Gonzales Road SW  
 Albuquerque, New Mexico

SHEET NO  
**C-1 of 1**  
 PROJECT NO. 02.10  
 STATUS: cd  
 DATE: June 22, 2002  
 CHECKED BY: RSB  
 DRAWN BY: rb  
 02.10\Drawings\Basel.dwg



Typical Fence Elevation

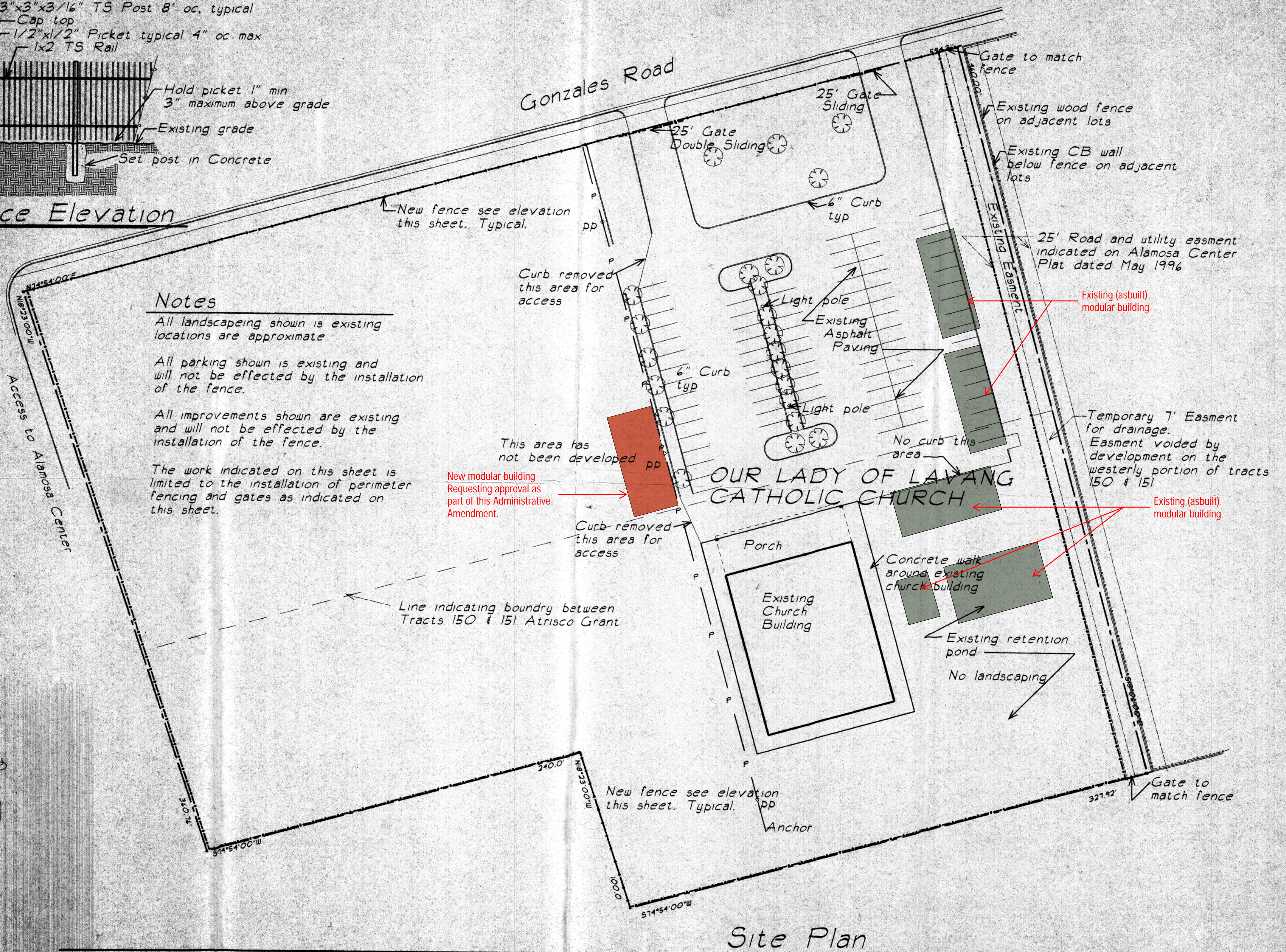
NTS

Notes

- All landscaping shown is existing locations are approximate
- All parking shown is existing and will not be effected by the installation of the fence.
- All improvements shown are existing and will not be effected by the installation of the fence.
- The work indicated on this sheet is limited to the installation of perimeter fencing and gates as indicated on this sheet.

1002063 ADMINISTRATIVE  
 DEVELOPMENT PLAN AMENDMENT  
 0244  
 FILE NO. AA-01003  
 APPROVED To allow fence  
 gates  
 10/29/02  
 PLANNING DIRECTOR DATE

*Spring*



Site Plan

Scale 1"=40'

REVISIONS

ENGINEER

ARCHITECT

**RSB ARCHITECTS**

BOX 2356 SANTA FE, NEW MEXICO 87502 VOICE (505)983-2743 (505)983-2743

Our Lady of Lavang Catholic Church

6800 Gonzales Road SW  
 Albuquerque, New Mexico

SHEET NO	C-1 of 1
PROJECT NO	02.10
STATUS	cd
DATE	June 22, 2002
CHECKED BY	RSB
DRAWN BY	rb
02.10\Drawings\Basel.dwg	