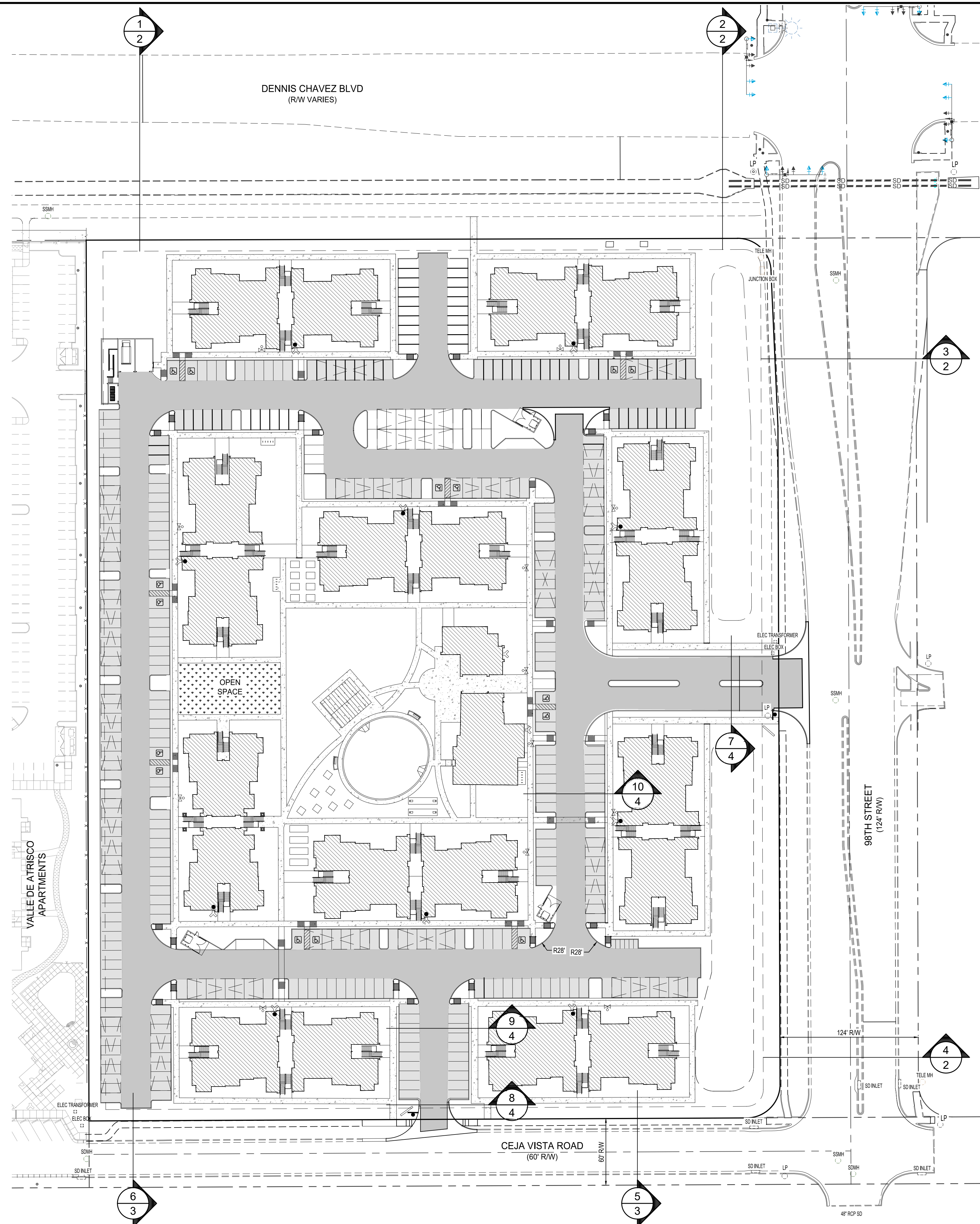


Plotted: 11/19/2024 11:54:14 AM, By: Edgings - Scott
 Last Saved: 11/19/2024 11:48:23 AM, sddgms



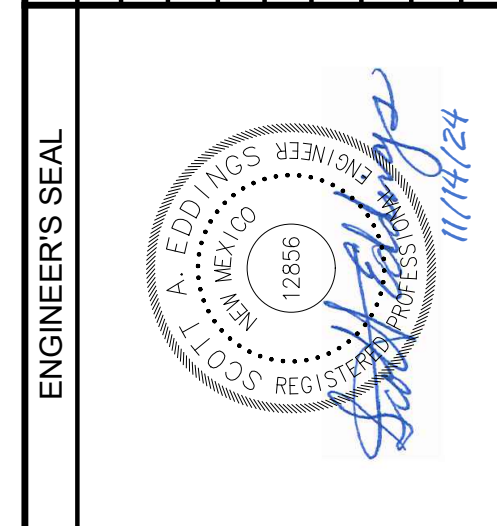
LEGEND

- EXISTING CURB & GUTTER
- X- EXISTING FENCE
- SD EXISTING STORM DRAIN
- OHE EXISTING OVERHEAD ELEC.
- LP EXISTING LIGHT POLE
- PP EXISTING POWER POLE
- GUY EXISTING GUY WIRE
- TEPED EXISTING TELE. PED
- ELEC BOX EXISTING ELEC. BOX
- COMM BOX EXISTING COMM. BOX
- BOLLARD EXISTING BOLLARD
- CLEANOUT EXISTING CLEANOUT
- GAS METER EXISTING GAS METER
- WATER METER EXISTING WATER METER
- MH EXISTING MANHOLE
- STOP EXISTING STOP SIGN
- CURB & GUTTER
- CONC. SIDEWALK
- ASPHALT PAVEMENT-HEAVY
- ASPHALT PAVEMENT-LIGHT
- BUILDING
- SOLID WASTE ROUTE
- LANDSCAPE AREA

AS BUILT INFORMATION	
CONTRACTOR	DATE
STAKED BY	DATE
INSPECTOR'S FIELD VERIFICATION BY	DATE
RECORDED BY	DATE
MICRO-FILM INFORMATION	
RECORDED BY	DATE
NO.	

BENCH MARKS	
NO.	DATE

SURVEY INFORMATION	
FIELD NOTES	DATE
BY	
NO.	



NO.	DATE	REVISIONS	BY
	DATE: NOV. 14, 2024	DESIGN	
	DATE: NOV. 7, 2024		
	DATE: NOV. 7, 2024		

Designed By: **HUITT ZOLLARS**

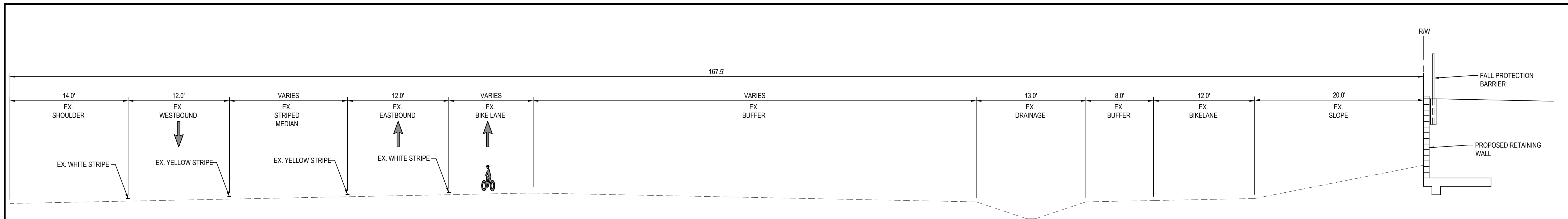
TIERRA LINDA APARTMENTS
 9901 CEJA VISTA RD SW
 ALBUQUERQUE, NM

TITLE: **STREET SECTION LOCATIONS**

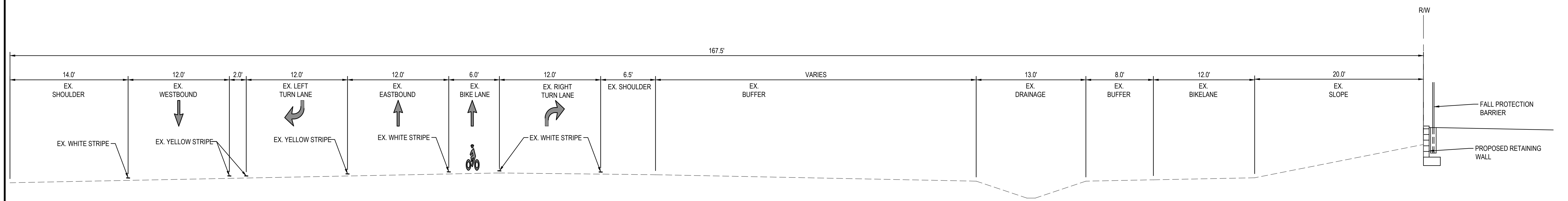
Design Review Committee	City Engineer	Mo./Day/Yr.	Mo./Day/Yr.

City Project No. **J-09-Z** Zone Map No. **1** Sheet **1** Of **4**

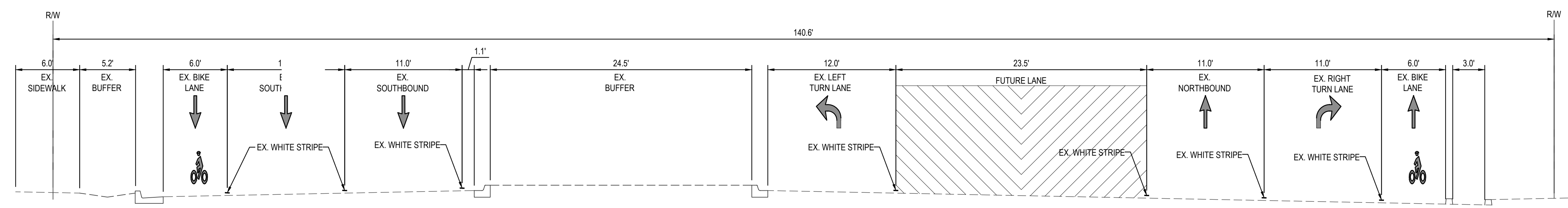
Plotted: 11/15/2024 12:07:26 PM, By: Edgings - Scott
 User: scott.edgings@huittzollars.com
 Last Saved: 11/17/2024 7:39:09 PM, as: edgings



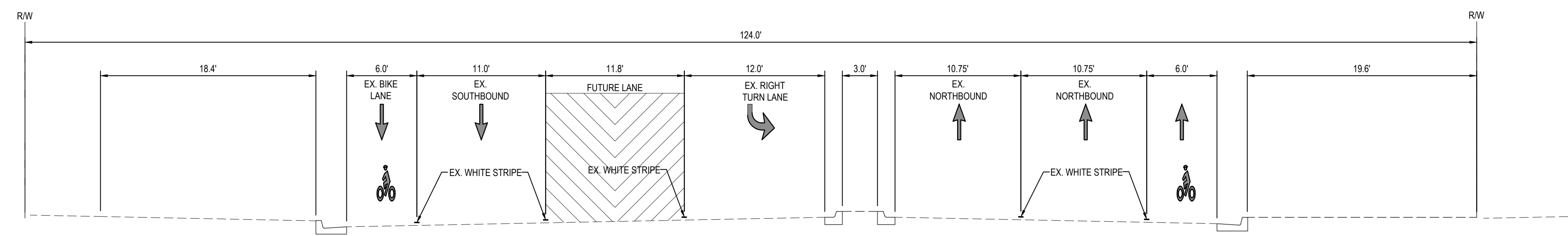
DENNIS CHAVEZ
 LOOKING EAST
 SCALE: 1"=6' 1



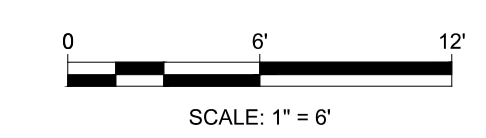
DENNIS CHAVEZ BLVD
 LOOKING EAST
 SCALE: 1"=6' 2



98TH STREET
 LOOKING NORTH
 SCALE: 1"=6' 3



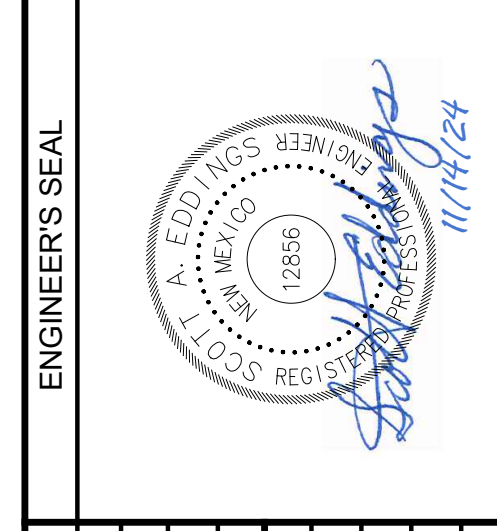
98TH STREET
 LOOKING NORTH
 SCALE: 1"=6' 4



AS BUILT INFORMATION	
CONTRACTOR	DATE
INSPECTOR'S	DATE
STAKED BY	DATE
FIELD	DATE
VERIFICATION BY	DATE
CORRECTED BY	DATE
MICRO-FILM INFORMATION	
RECORDED BY	DATE
NO.	

BENCH MARKS	
NO.	DATE

SURVEY INFORMATION	
FIELD NOTES	BY
NO.	DATE



NO.	DATE	REVISIONS	BY
	NOV. 14, 2024	DESIGN	
	NOV. 7, 2024		
	NOV. 7, 2024		

Designed By: **HUITT ZOLLARS**

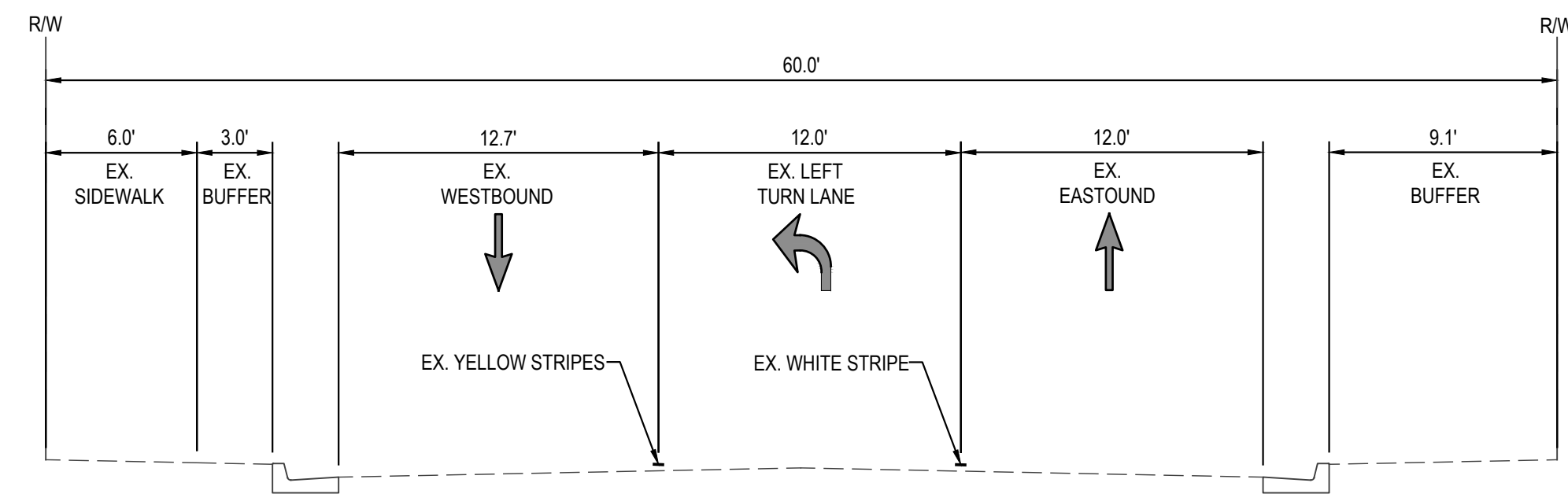
TIERRA LINDA APARTMENTS
 9901 CEJA VISTA RD SW
 ALBUQUERQUE, NM

TITLE: **PROPOSED STREET SECTIONS**

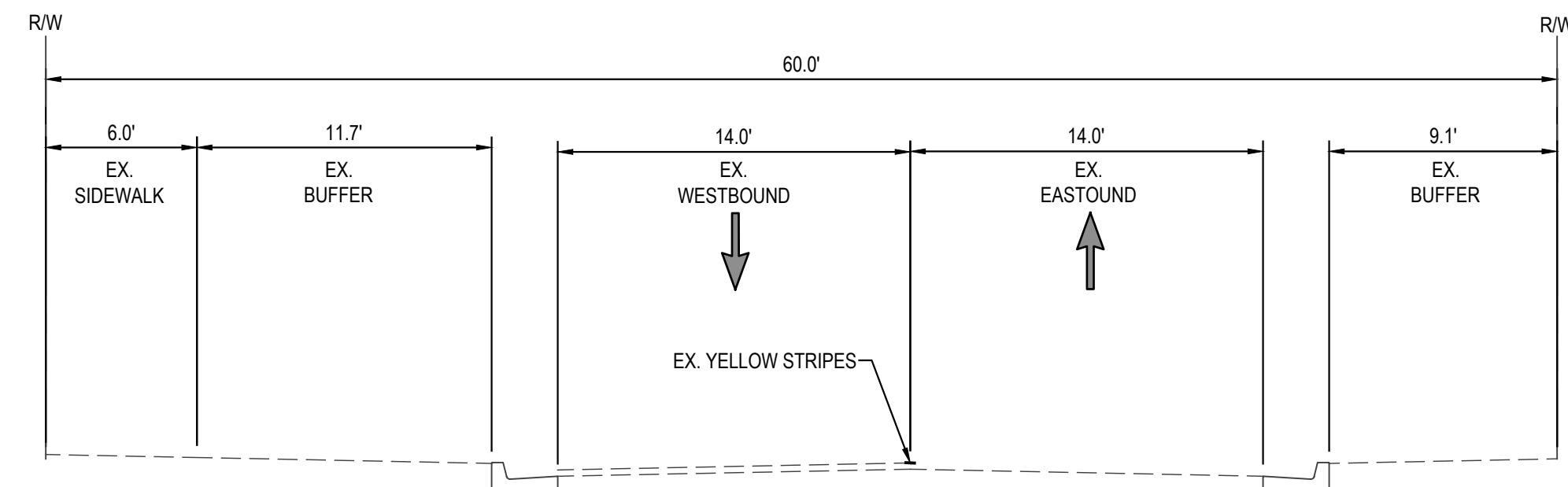
Design Review Committee	City Engineer	Mo./Day/Yr.	Mo./Day/Yr.

City Project No. **J-09-Z** Zone Map No. **J-09-Z** Sheet **2** Of **4**

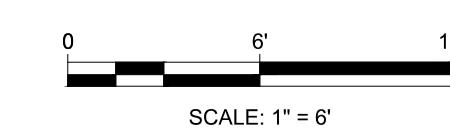
Plotted: 11/15/2024 10:53:38 AM By: Eddings, Scott
 User: scott.eddings
 Last Saved: 11/17/2024 7:39:09 PM, scddings



CEJA VESTA ROAD
 LOOKING EAST SCALE: 1"=6'



CEJA VESTA ROAD
 LOOKING EAST SCALE: 1"=6'



Designed By: **HUITT ZOLLARS**

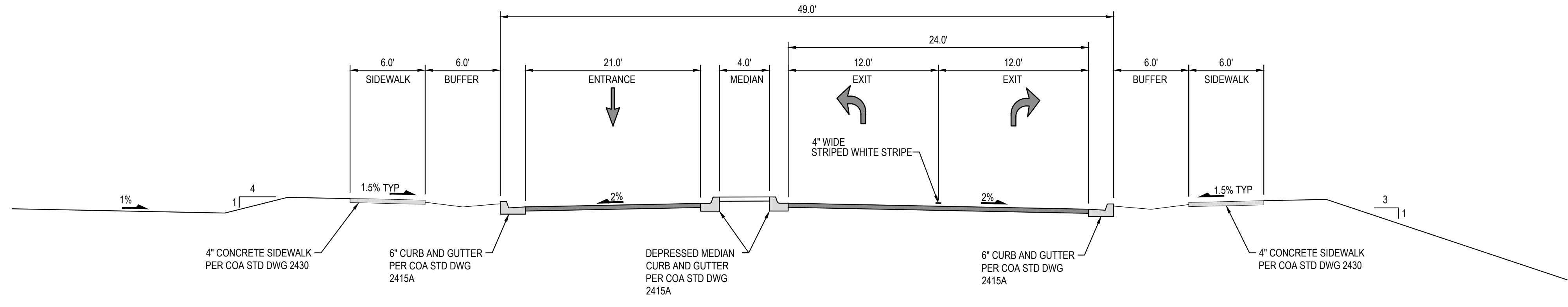
TIERRA LINDA APARTMENTS
 9901 CEJA VISTA RD SW
 ALBUQUERQUE, NM

TITLE: **EXISTING STREET SECTIONS**

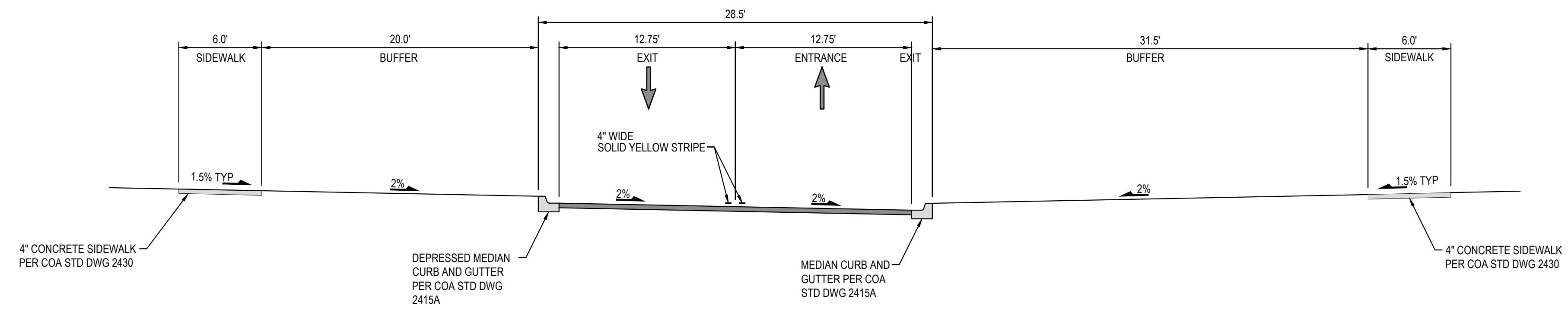
Design Review Committee	City Engineer	Mo./Day/Yr.	Mo./Day/Yr.

City Project No. **J-09-Z** Zone Map No. **3** Sheet **3** Of **4**

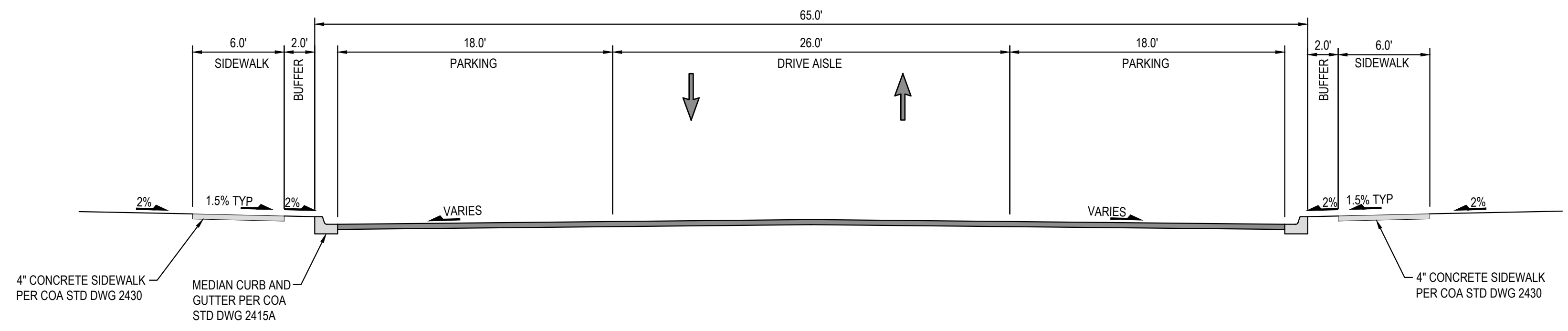
ENGINEER'S SEAL		SURVEY INFORMATION		BENCH MARKS		AS BUILT INFORMATION	
		NO.	BY	DATE	CONTRACTOR	DATE	
					INSPECTOR'S	DATE	
					FIELD OFFICER	DATE	
					VERIFICATION BY	DATE	
					CORRECTED BY	DATE	
					MICRO-FILM INFORMATION		
					RECORDED BY	DATE	
					NO.		



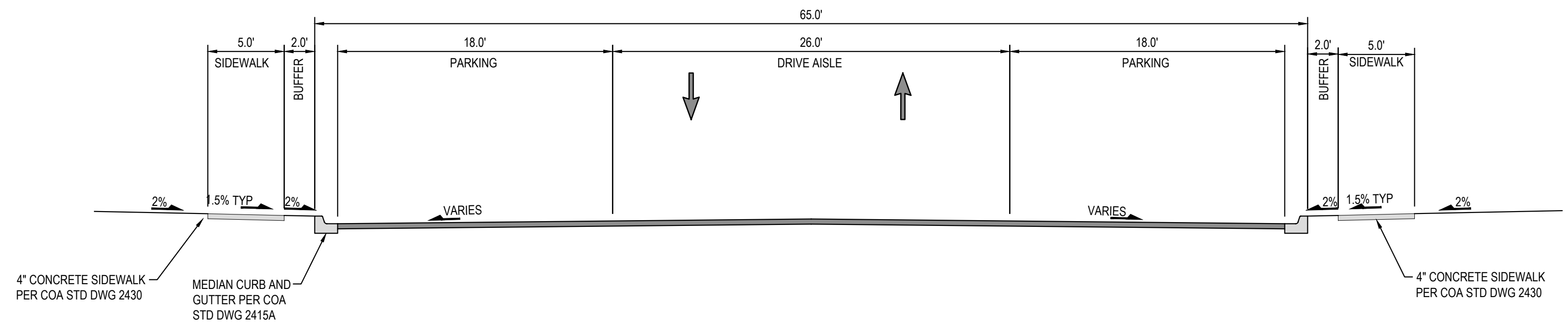
ENTRANCE- FROM 98TH STREET
SCALE: 1"=6' 7
LOOKING EAST



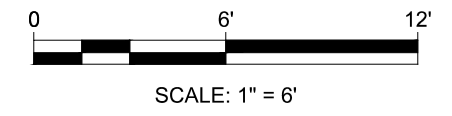
ENTRANCE - FROM CEJA VISTA ROAD
SCALE: 1"=6' 8
LOOKING NORTH



SECTION WITH 6-FOOT SIDEWALK
SCALE: 1"=6' 9
LOOKING NORTH



SECTION WITH 5-FOOT SIDEWALK
SCALE: 1"=6' 10
LOOKING NORTH



Plotted: 11/27/2024 10:06:10 AM By: Edwings - Soori
 Last Saved: 11/19/2024 12:59:30 PM, seditings

AS BUILT INFORMATION		CONTRACTOR		DATE	
CONTRACTOR	DATE	INSPECTOR'S	DATE	FIELD	DATE
STAKED BY	DATE	FIELD	DATE	CORRECTED BY	DATE
VERIFICATION BY	DATE	MICRO-FILM INFORMATION		RECORDED BY	DATE
NO.	DATE	NO.	DATE	NO.	DATE

SURVEY INFORMATION		FIELD NOTES	
NO.	DATE	BY	DATE
NO.	DATE	BY	DATE

ENGINEER'S SEAL		REVISIONS	
		NO.	DATE
NO.	DATE	BY	DATE
NO.	DATE	BY	DATE
NO.	DATE	BY	DATE

Designed By: HUITT ZOLLARS	
TIERRA LINDA APARTMENTS 9901 CEJA VISTA RD SW ALBUQUERQUE, NM	
TITLE: PROPOSED STREET SECTIONS	
Design Review Committee	City Engineer
City Project No.	Zone Map No.
	J-09-Z
Sheet	Of
4	4