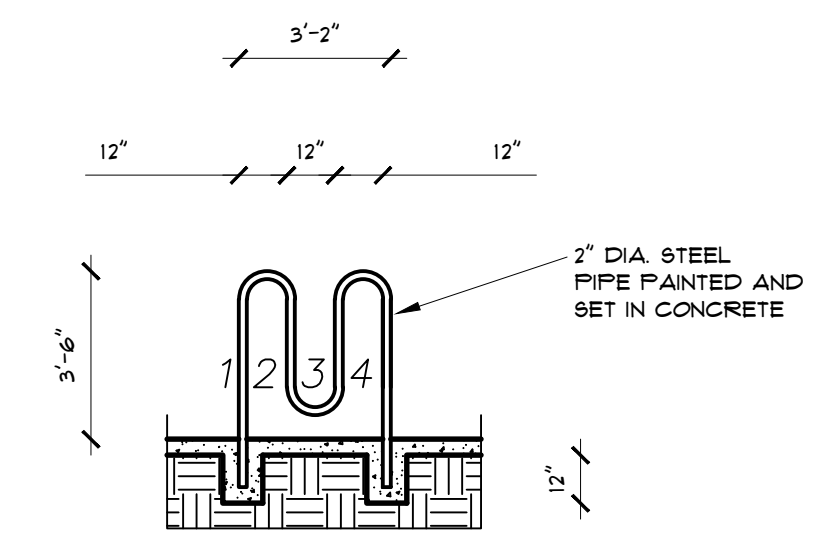
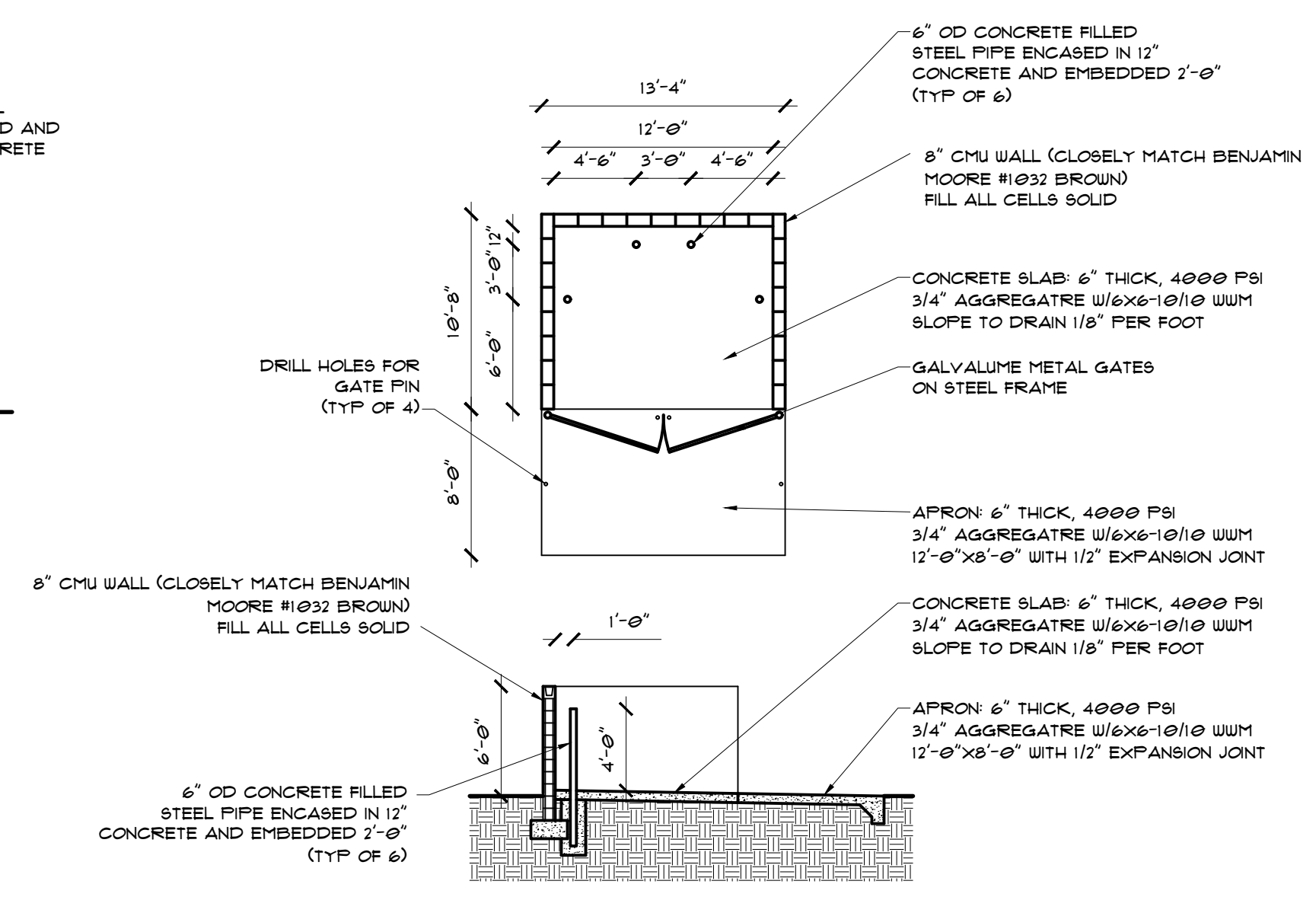


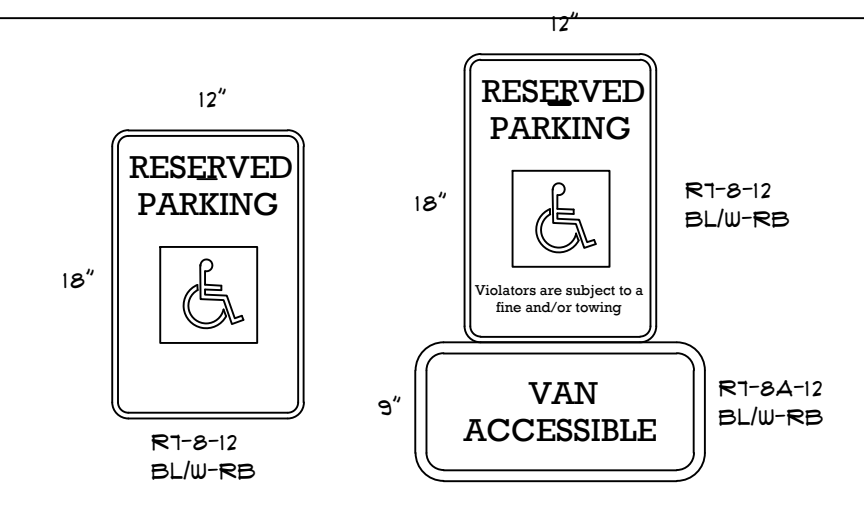
1 BICYCLE RACK
AI.3 N.T.S.



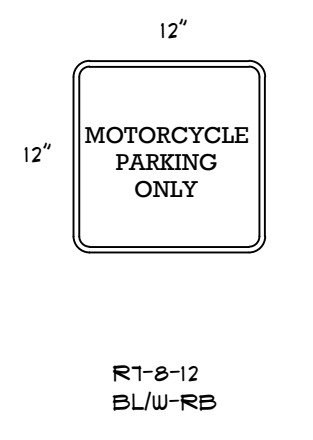
2 REFUSE ENCLOSURE
AI.3 N.T.S.



4 HANDICAP PARKING SIGNS
AI.3 N.T.S.

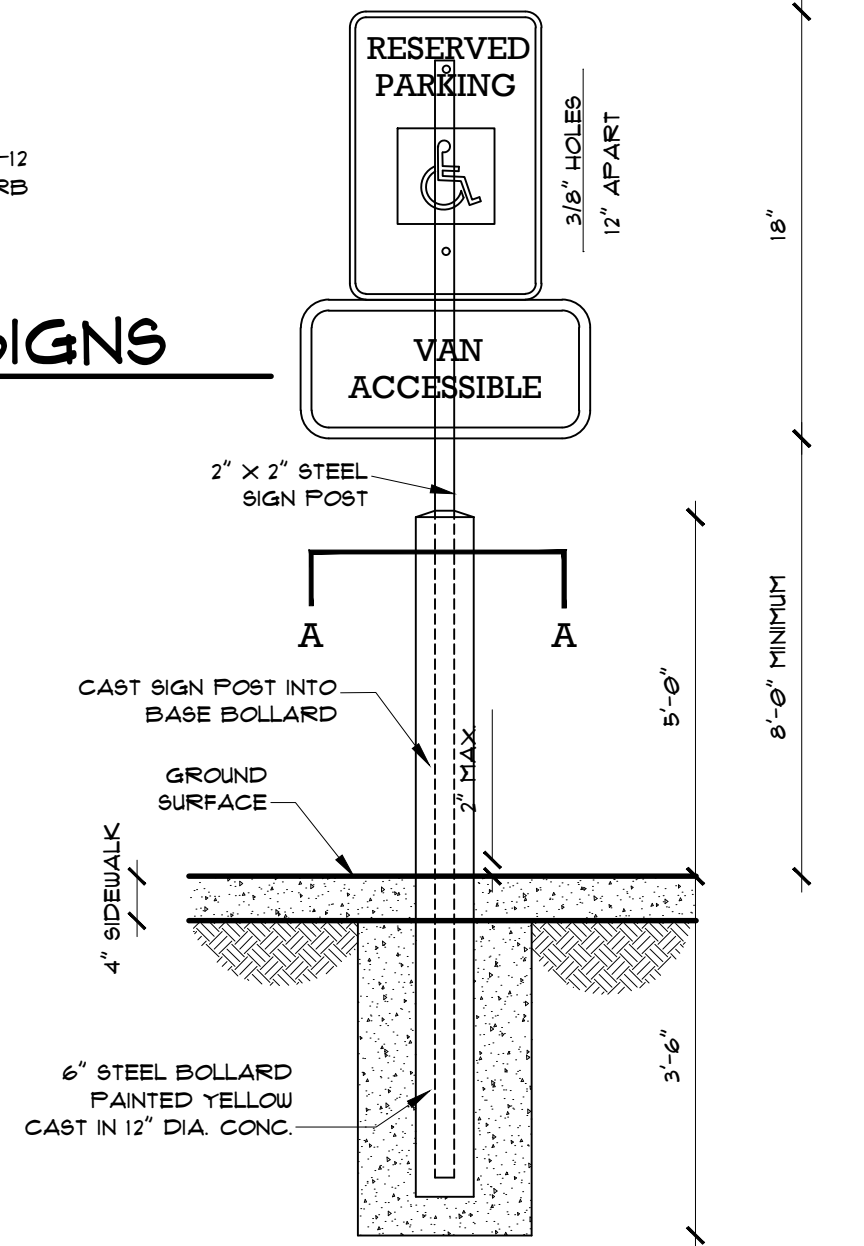


5 SECTION A-A
AI.3 N.T.S.



NOTE: LETTERING SHALL BE FHWA SERIES "B" ALPHABET
MOUNTING OPTIONS
A) FLEXIBLE P.E. POST WITH SURFACE MOUNT BASE - EPOXY TO PAVEMENT SURFACE
B) PERFORATED GALVANIZED TUBING INSTALL IN LANDSCAPE AREAS ONLY
BLACK BORDERS AND TEXT, ON WHITE OR REFLECTIVE BACKGROUND (TYP)
BOTTOM OF SIGN SHALL NOT BE LESS THAN 4'-0\"/>

6 SIGN MOUNTING DETAIL
AI.3 N.T.S.



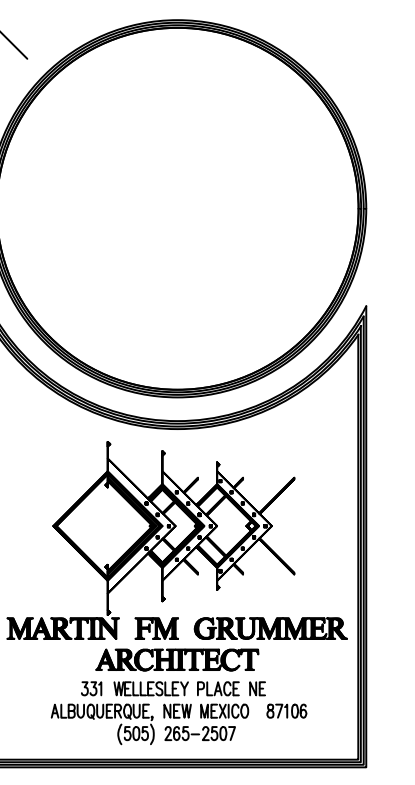
NOTE: THE ADA ACCESS AISLES SHALL HAVE THE WORDS "NO PARKING" IN CAPITAL LETTERS, EACH OF WHICH SHALL BE 12\"/>

7 SIGN MOUNTING DETAIL
AI.3 N.T.S.

7A ADA ACCESS AISLE DTL.
AI.3 N.T.S.



ALL DIMENSIONS ARE TO BE FIELD VERIFIED. IF THERE ARE DISCREPANCIES, PLEASE NOTIFY THE ARCHITECT. DRAWING ARE NOT TO BE SCALED. USE DIMENSIONS FOR ACCURACY.



CENTRAL MERCADO BLDG CC
CENTRAL & SAN PEDRO SE
ALBUQUERQUE, NM 87108

SITE DETAILS

DATE:	21 JUNE 2021
DRAWN BY:	MFMG
CHECKED BY:	
VERIFIED BY:	

REVISIONS

SHEET NO:
A1.3