

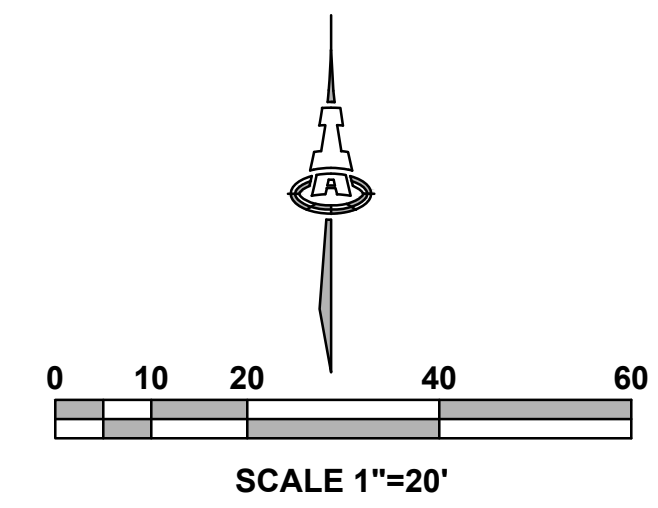
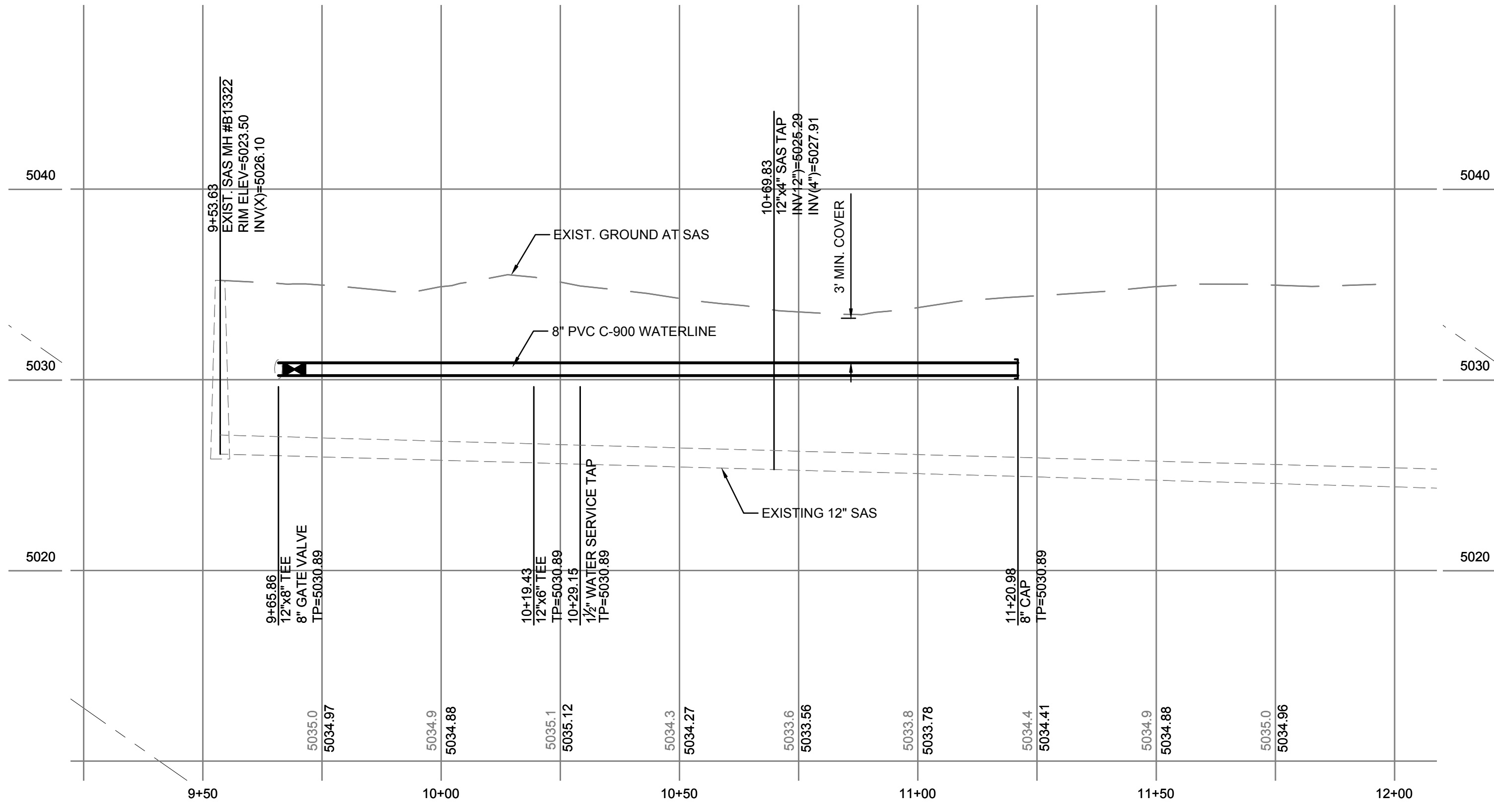
VALVE / FH / METER COORDINATES			
NOS.	X	Y	Z/BOTTOM FLANG
1			PUBLIC
2			PUBLIC
3			PUBLIC
4			PUBLIC

GENERAL & CONSTRUCTION NOTES

- EXISTING UTILITY LINES ARE SHOWN IN AN APPROXIMATE MANNER ONLY AND MAY BE INCOMPLETE OR OBSOLETE. SUCH LINES MAY OR MAY NOT EXIST WHERE SHOWN OR NOT SHOWN. ALL UTILITIES SHOULD BE FIELD VERIFIED AND LOCATED BY THE CONTRACTOR PRIOR TO COMMENCEMENT OF ANY CONSTRUCTION. THE CONTRACTOR IS FULLY RESPONSIBLE FOR ANY AND ALL DAMAGE CAUSED BY ITS FAILURE TO LOCATE, IDENTIFY AND PRESERVE ANY AND ALL EXISTING UTILITIES, PIPELINES, AND UNDERGROUND UTILITY LINES.
- CONTRACTOR SHALL NOT USE VIBRATORY COMPACTION EQUIPMENT OR HEAVY VEHICLES OVER EXISTING UTILITIES.

UTILITY INSTALLATION NOTES

- INSTALL NON-PRESSURE CONNECTIONS PER ABCWUA STD DWG 2301.
- CONSTRUCT 1 1/2" WATER SERVICES AND METER BOXES PER ABCWUA STD DWG #2363, 2367.
- INSTALL FIRE HYDRANT PER ABCWUA STD DWG 2340.
- INSTALL GATE VALVE AND BOX PER ABCWUA STD DWG 2328 & 2328.
- SEE SHEET 4 FOR WATER SHUT-OFF PLAN.
- SEE SHEET 4 FOR RESTRAINED JOINT LENGTHS FOR WATER LINE FITTINGS.
- SEE SHEET 4 FOR AS-BUILT COORDINATE TABLES.
- ALL WATERLINES SHALL BE PVC C-900 UNLESS OTHERWISE NOTED.
- SANITARY SEWER LINES TO BE SCH. 80, PVC PIPE.
- TRACER WIRE AND APPURTENANCES SHALL BE INSTALLED PER ABCWUA STD DWGS 2190, 2191, 2302, 2327, 2365, 2342, 2379, 2740 & 2741. COST FOR TRACER WIRES & APPURTENANCES SHALL BE INCLUDED IN WATER & SEWER LINE PIPE PAY ITEMS.



LEGEND

- EX 8" WL --- EXISTING WATERLINES
- EX 4" VAC SAS --- EXISTING SEWER LINES
- 8" WL --- NEW WATERLINE
- NEW WATER SERVICE
- NEW VALVE & FIRE HYDRANT
- RIGHT OF WAY

Isaacson & Arfman, Inc.
Civil Engineering Consultants

128 Monroe Street NE
Albuquerque, NM 87108
505-268-8828 | www.iacivil.com

NO.	DATE	REVISION NO. & DESCRIPTION	BY	SCALE:	DESIGN INFO	SUBMITTED BY:	AS BUILT INFORMATION	ENGINEER'S SEAL
-	-	-	-	1"=20'	DESIGNED BY: FCA DATE: DEC 2021	-	CONTRACTOR -	
-	-	-	-	ATTENTION	DRAWN BY: DEC DATE: DEC 2021	-	WORK STAKED BY - DATE -	
-	-	-	-	0 1/2" 1"	CHECKED BY: FCA DATE: DEC 2021	-	INSPECTOR'S ACCEPTANCE BY - DATE -	
-	-	-	-	GRAPHIC SCALE	CROSS CHK'D BY: - DATE: -	-	INSPECTOR'S NAME -	
-	-	-	-	THIS BAR MEASURES 1" AT FULL SCALE (ANSI D)	APPROVED BY: - DATE: -	-	FIELD VERIFICATION BY - DATE -	
-	-	-	-			-	DRAWINGS CORRECTED BY - DATE -	

ALBUQUERQUE BERNALILLO COUNTY
WATER UTILITY AUTHORITY

TITLE: ALAMEDA WEST SHOPPING CENTER
8" WATERLINE EXTENSION
WATERLINE PLAN & PROFILE

WUA Project No. 729087 Zone Map No. B-14 Sheet 5 OF 5