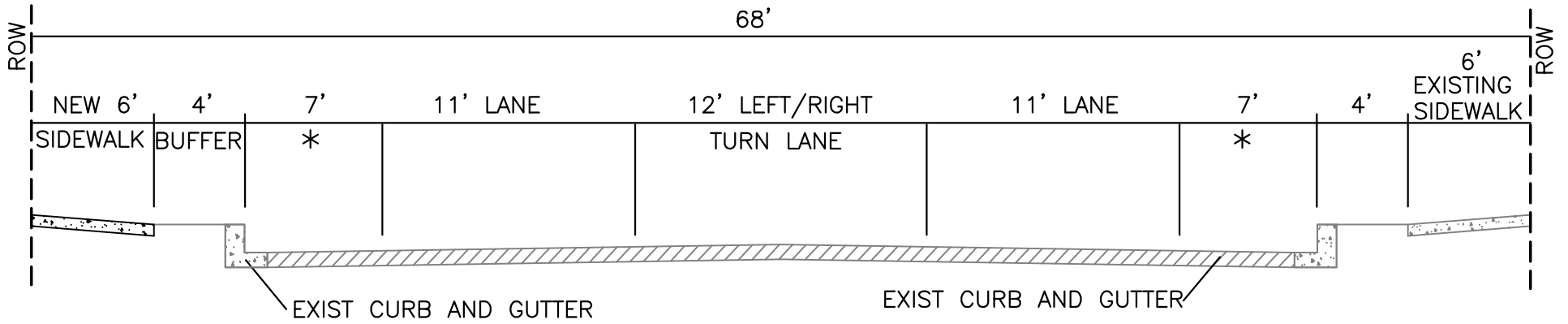


\* INCLUDES 5' BIKE LANE

### DAYTONA RD SECTION



\* INCLUDES 5' BIKE LANE

### BLUEWATER RD SECTION