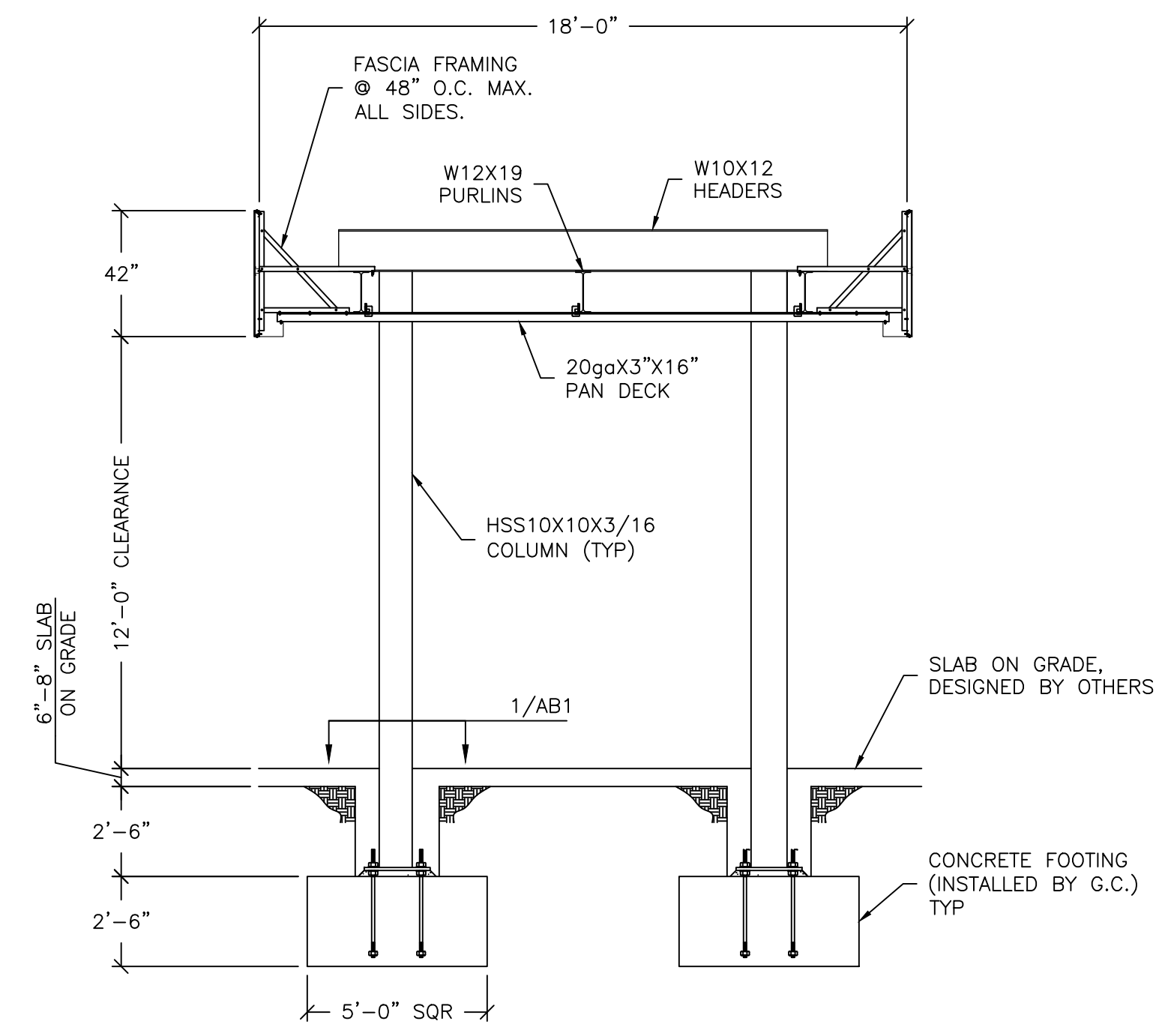


FRAMING PLAN
SCALE: 1/4"=1'-0"



SECTION/ELEVATION
SCALE: 1/4"=1'-0"

CANOPY NOTES

- GENERAL NOTES:
 A. THE CONTRACTOR SHALL VERIFY ALL CONDITIONS AND DIMENSIONS AT THE SITE.
 B. OBSERVATION VISITS TO THE SITE BY THE DESIGN ENGINEER SHALL NEITHER BE CONSTRUED AS INSPECTION NOR APPROVAL OF CONSTRUCTION.
 C. DURING AND AFTER CONSTRUCTION, BUILDER AND/OR OWNER SHALL KEEP LOADS ON THE STRUCTURE WITHIN LIMITS OF DESIGN LOADS.
 D. TYPICAL DETAILS AND SECTIONS SHALL APPLY WHERE SPECIFIC DETAILS ARE NOT SHOWN.
- BUILDING CODE: 2015 INTERNATIONAL BUILDING CODE
 USE GROUP: M, CONSTRUCTION TYPE - IIB
 - DESIGN LOADS:
 A. ROOF LIVE LOAD: 20 PSF (REDUCIBLE)
 B. CANOPY DEAD LOAD: 10.79 PSF
 C. GROUND SNOW LOAD P_g : 10 PSF
 FLAT ROOF SNOW LOAD P_f : 8.4 PSF
 RAIN ON SNOW SURCHARGE: 5 PSF IF $P_g < 20$
 EXPOSURE FACTOR C_e : 1.0
 IMPORTANCE FACTOR I_s : 1.0
 THERMAL FACTOR C_t : 1.2
 D. ULTIMATE DESIGN WIND SPEED V_{ult} : 115 MPH
 BUILDING RISK CATEGORY: II
 EXPOSURE: C
 COMPONENT & CLADDING: ASCE 7-10 CHAPTER 30
 E. EARTHQUAKE DESIGN:
 IMPORTANCE FACTOR: 1.0
 $S_s = 0.463g$, $S_d = 0.441g$
 $S_1 = 0.139g$, $S_d1 = 0.208g$
 SITE CLASS: D
 SEISMIC DESIGN CATEGORY: D
 SEISMIC FORCE RESISTING SYSTEM: G.2 STEEL ORDINARY CANTILEVERED COLUMN SYSTEM
 DESIGN BASE SHEAR: 2.59k
 SEISMIC RESPONSE COEFFICIENT: $C_s = 0.35$
 RESPONSE MODIFICATION FACTOR: $R = 1.25$
 SEISMIC ANALYSIS PROCEDURE: EQUIVALENT LATERAL FORCE
 - FOUNDATION DESIGN:
 ALLOWABLE BEARING PRESSURE: 1500 PSF
 LATERAL PRESSURE: 100 PSF/FT OF DEPTH
 NOTE GEOTECH INVESTIGATION NOT PROVIDED. VALUES ARE PRESUMPTIVE FROM THE BUILDING CODE.
 - CONCRETE AND REINFORCEMENT:
 A. CONCRETE FOOTINGS (EXPOSURE CLASSES FO, SO, WO, CO) TYPE II CEMENT COMPRESSIVE STRENGTH OF $f'_c = 3000$ p.s.i.
 B. SLAB ON GRADE (BY OTHERS)
 C. CONCRETE DESIGNED USING $f'_c = 2500$ p.s.i. OR ABOVE SHALL HAVE SPECIAL INSPECTIONS PERFORMED, UNLESS ISOLATED SPREAD FOOTINGS ARE UTILIZED. SEE SPECIAL INSPECTIONS FOR THE CANOPY CONCRETE NOTE.
 D. REBAR: ASTM A615 GRADE 60
 E. STRIPS AND TIES SHALL HAVE MINIMUM 4" HOOKS.
 F. MINIMUM CONCRETE PROTECTION FOR REINFORCEMENT:
 CONCRETE EXPOSED TO GROUND: 3"
 FORMED CONCRETE EXPOSED TO GROUND: 2"
 FORMED CONCRETE NOT EXPOSED TO GROUND: 1 1/2"
 G. GROUT UNDER COLUMN BASE PLATES SHALL BE NON-SHRINK GROUT COMPLYING WITH ASTM C1107, $f'_c = 5000$ p.s.i. AND INSTALLED PER MANUFACTURERS RECOMMENDATIONS.
 H. GENERAL CONTRACTOR IS RESPONSIBLE FOR LOCATING TOP OF FOOTING ELEVATIONS AS REQUIRED FOR UNDERGROUND PLUMBING AND ELECTRICAL.
 - STRUCTURAL STEEL:
 A. ALL STRUCTURAL STEEL SHALL COMPLY WITH AISC "SPECIFICATION FOR THE DESIGN OF STRUCTURAL STEEL FOR BUILDINGS" 15TH EDITION.
 B. AISC "CODE OF STANDARD PRACTICE" EXCLUDING THE FOLLOWING SECTIONS: 4.4, 4.4.1, 4.4.2, AND 7.15.
 C. AISC "SPECIFICATIONS FOR THE DESIGN OF COLD FORMED STRUCTURAL MEMBERS".
 D. STRUCTURAL STEEL GRADES:
 STEEL BEAMS ASTM A992 GRADE 50 $F_y = 50,000$ psi
 HSS SQUARE & RECTANGLES ASTM500 GRADE C $F_y = 50,000$ psi
 HSS ROUND COLUMNS: $F_y = 46,000$ psi
 PIPE ASTM A53 GRADE B $F_y = 35,000$ psi
 BASE PLATES, CAP PLATES AND CAP PLATE STIFFENERS
 ASTM A572 GRADE 50 $F_y = 50,000$ psi
 ANGLES ASTM A36 $F_y = 36,000$ psi
 E. ALL BOLTED CONNECTIONS SHALL BE ASTM A307 BOLTS, UNLESS OTHERWISE SPECIFIED (NO SPECIAL INSPECTION REQUIRED).
 F. ALL BOLTED CONNECTIONS SHALL BE "SNUG-TIGHT", UNLESS NOTED OTHERWISE IN ACCORDANCE WITH RCSC.
 G. METAL PAN DECK SHALL BE 20ga ASTM A653 GRADE 40.

SPECIAL INSPECTIONS FOR THE CANOPY

- IN ADDITION TO THE REGULAR INSPECTIONS, THE FOLLOWING ITEMS, IF APPLICABLE, WILL REQUIRE SPECIAL INSPECTION IN ACCORDANCE WITH THE BUILDING CODE, JIMCO SALES AND MANUFACTURING IS AN AISC APPROVED FABRICATOR (218031081-10)INT).
- STRUCTURAL STEEL - SPECIAL INSPECTION REQUIRED IN ACCORDANCE WITH THE QUALITY ASSURANCE INSPECTION REQUIREMENTS OF AISC 360 (IBC 1705.2.1).
 - WELDING - SPECIAL INSPECTION IS NOT REQUIRED WHERE WELDING IS PERFORMED IN AN APPROVED FABRICATOR SHOP AS PER IBC 1704.2.5.1
 - CONCRETE - SPECIAL INSPECTION IS NOT REQUIRED FOR ISOLATED SPREAD CONCRETE FOOTINGS PER IBC 1705.3 EXCEPTION 1.
 - ANCHOR BOLTS - PERIODIC SPECIAL INSPECTION OF ANCHOR BOLT INSTALLATION REQUIRED PER IBC TABLE 1705.3.
 - HIGH STRENGTH BOLTS - IF REQUIRED A325 BOLTS SHALL BE PRETENSIONED USING AN ACCEPTABLE METHOD SUCH AS "TURN OF NUT" AS PER RCSC SPECIFICATION SECTION 8.2. PERIODIC SPECIAL INSPECTION REQUIRED.

SEISMIC FORCE RESISTING SYSTEM (SFRS)

- REFER TO AISC 341-10 SECTION A4 AND ASCE 7-10.
 - DESIGNATION OF SFRS: G.2. STEEL ORDINARY CANTILEVER COLUMN SYSTEMS (ASCE 7-10 TABLE 12.2-1) SEE AISC 341-10 SECTION E5 (OCCS).
 - $R = 1.25$, $C_s = 0.35$
 - ANALYSIS PROCEDURE = EQUIVALENT LATERAL FORCE
- E. MEMBERS AND CONNECTIONS THAT ARE PART OF THE SFRS:
 1. COLUMNS
 2. COLUMN BASE CONNECTION
 3. FOOTINGS
- F. PROTECTED ZONES: N/A
 G. SEE DETAILS AND NOTE FOR CONNECTION CONFIGURATIONS, MATERIALS SPECIFICATIONS AND SIZES.
- H. WELD FILLER MATERIALS FOR WELDS PART OF THE SFRS:
 1. YIELD STRENGTH - 58 KSI MIN
 2. TENSILE STRENGTH - 70 KSI MIN
 3. ELONGATION - 22% MIN
 4. CVN TOUGHNESS - 20 FT-LB MIN @ 0° F
 SEE DETAILS AND NOTES FOR OTHER WELDING REQUIREMENTS
- J. DEMAND CRITICAL WELDS - N/A
 K. LOWEST ANTICIPATED SERVICE TEMPERATURE - 0° F

NOTICE: THIS DOCUMENT IS THE PROPERTY OF JIMCO SALES & MFG. NEITHER THIS DOCUMENT NOR ANY DATA OR INFORMATION HEREIN SHALL BE COPIED OR REPRODUCED IN ANY MANNER, LOANED OR OTHERWISE DISPOSED OF, OR USED FOR ANY PURPOSE WHATSOEVER, WITHOUT THE PRIOR WRITTEN PERMISSION OF JIMCO SALES & MFG. IF THIS DOCUMENT IS LOANED BY OR WITH THE AUTHORITY OF JIMCO SALES & MFG, THE BORROWER, INCONSIDERATION OF SUCH LOAN, AGREES TO THE FOREGOING CONDITIONS AND TO RETURN THIS DOCUMENT ON REQUEST OR UPON COMPLETION OF THE SPECIFICALLY AUTHORIZED WORK FOR WHICH IT WAS USED.



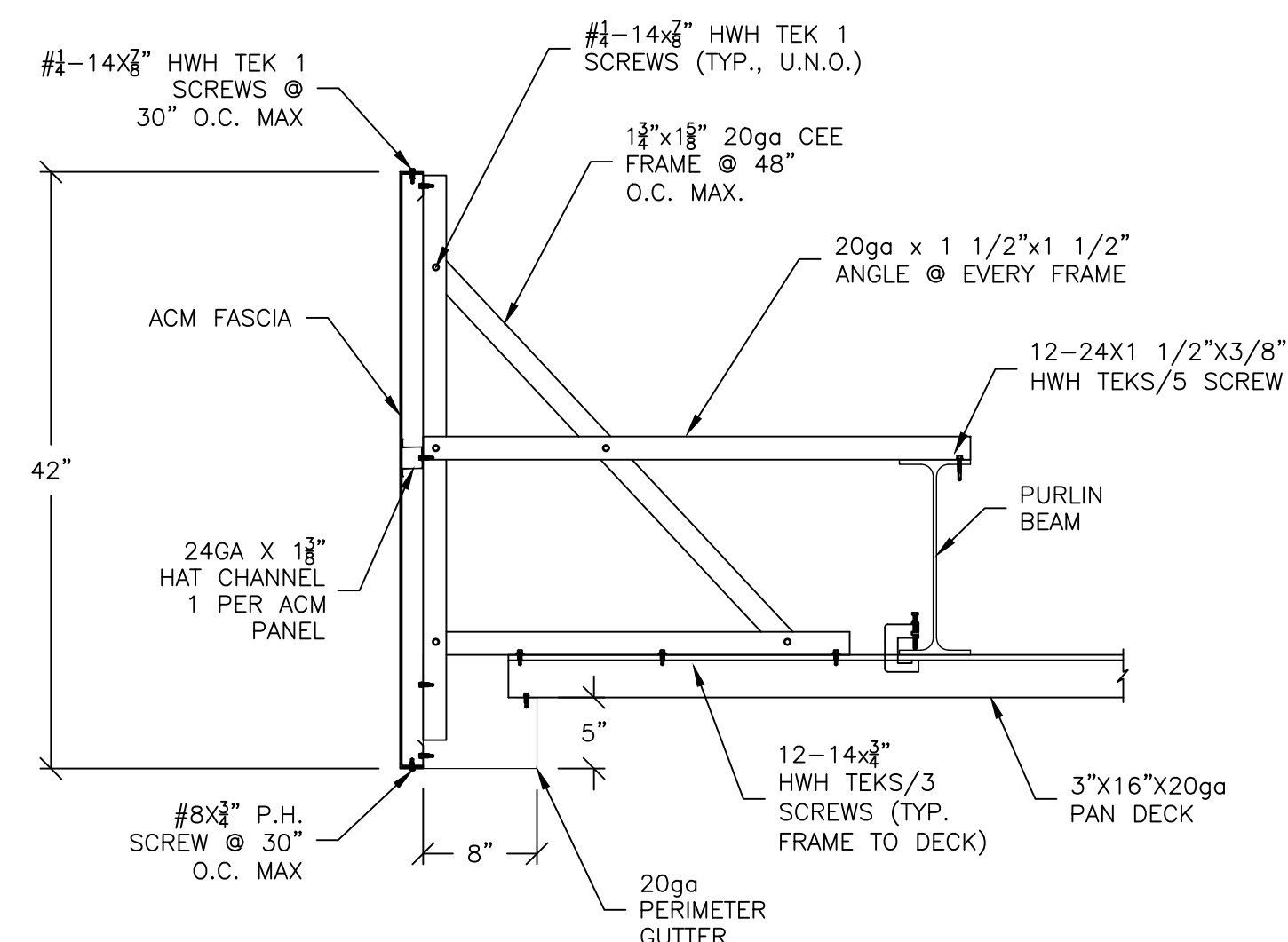
3113 St. Louis Ave. Fort Worth, Texas (817)924-6173

DRAWING DESCRIPTION	CANOPY STRUCTURAL NOTES AND PLANS
JOB LOCATION	MISTER CARWASH #392 3101 COORS BLVD ALBUQUERQUE, NM

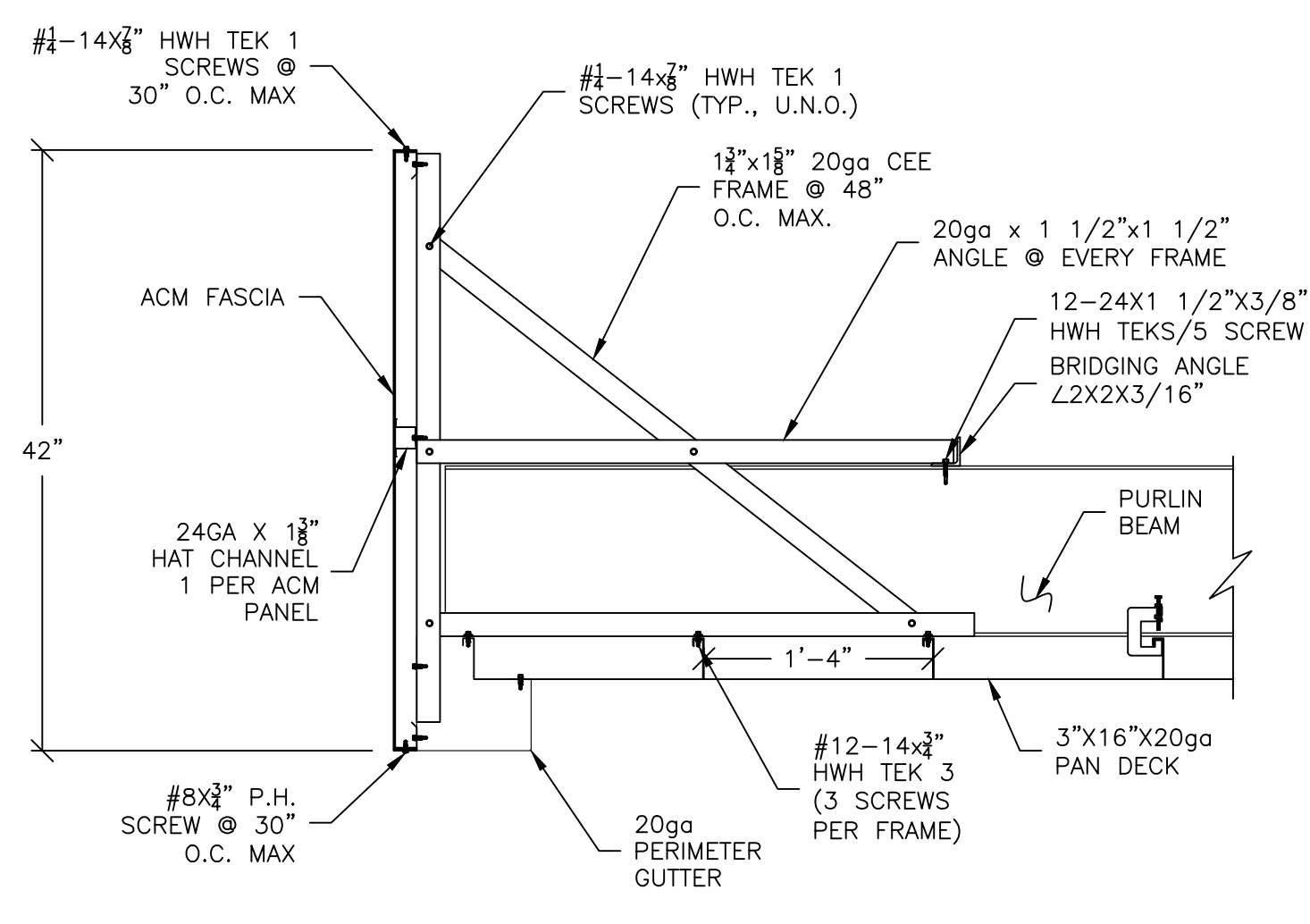


CUSTOMER	NO.	DESCRIPTION:
	D. CYPHERS DRAWN BY:	P. BRENNAN CHECKED BY:
MISTER CAR WASH REVISIONS	BY:	DATE:
	NO.	DESCRIPTION:

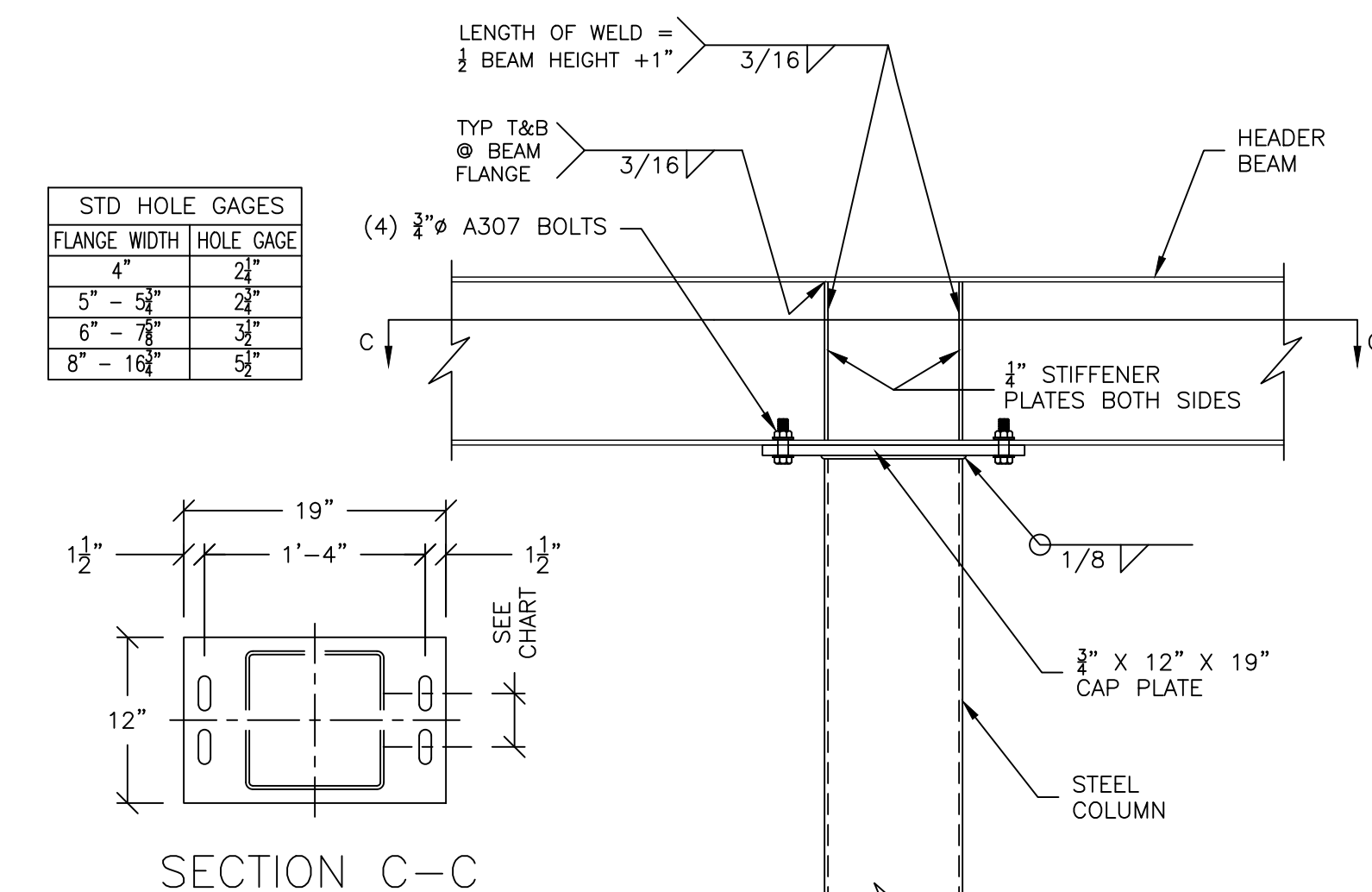
D. CYPHERS DRAWN BY:	P. BRENNAN CHECKED BY:	10-14-2021 DATE:
JOB NO. 21-2965R0		
DWG. NO. CS1		
OF 3 SHEETS		



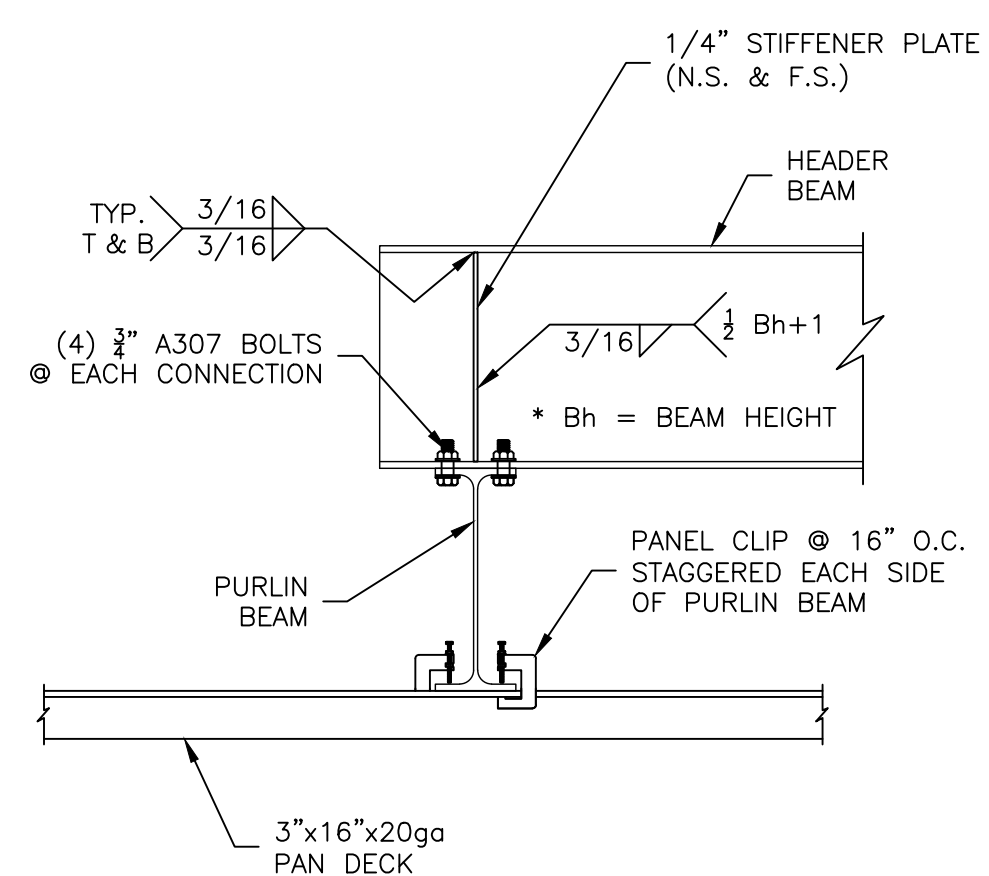
1 SIDE FASCIA DETAIL
SCALE: 1"=1'-0"



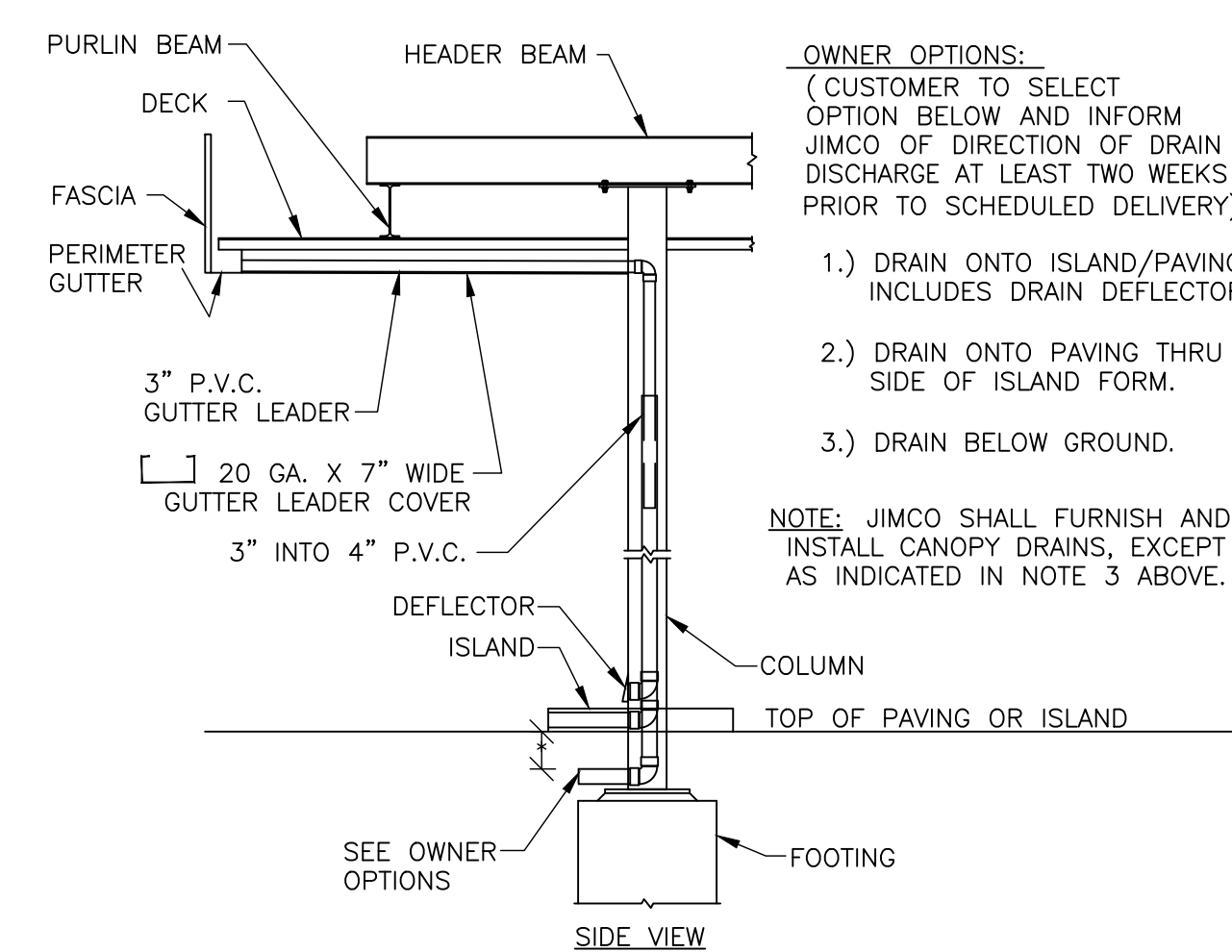
2 END FASCIA DETAIL
SCALE: 1"=1'-0"



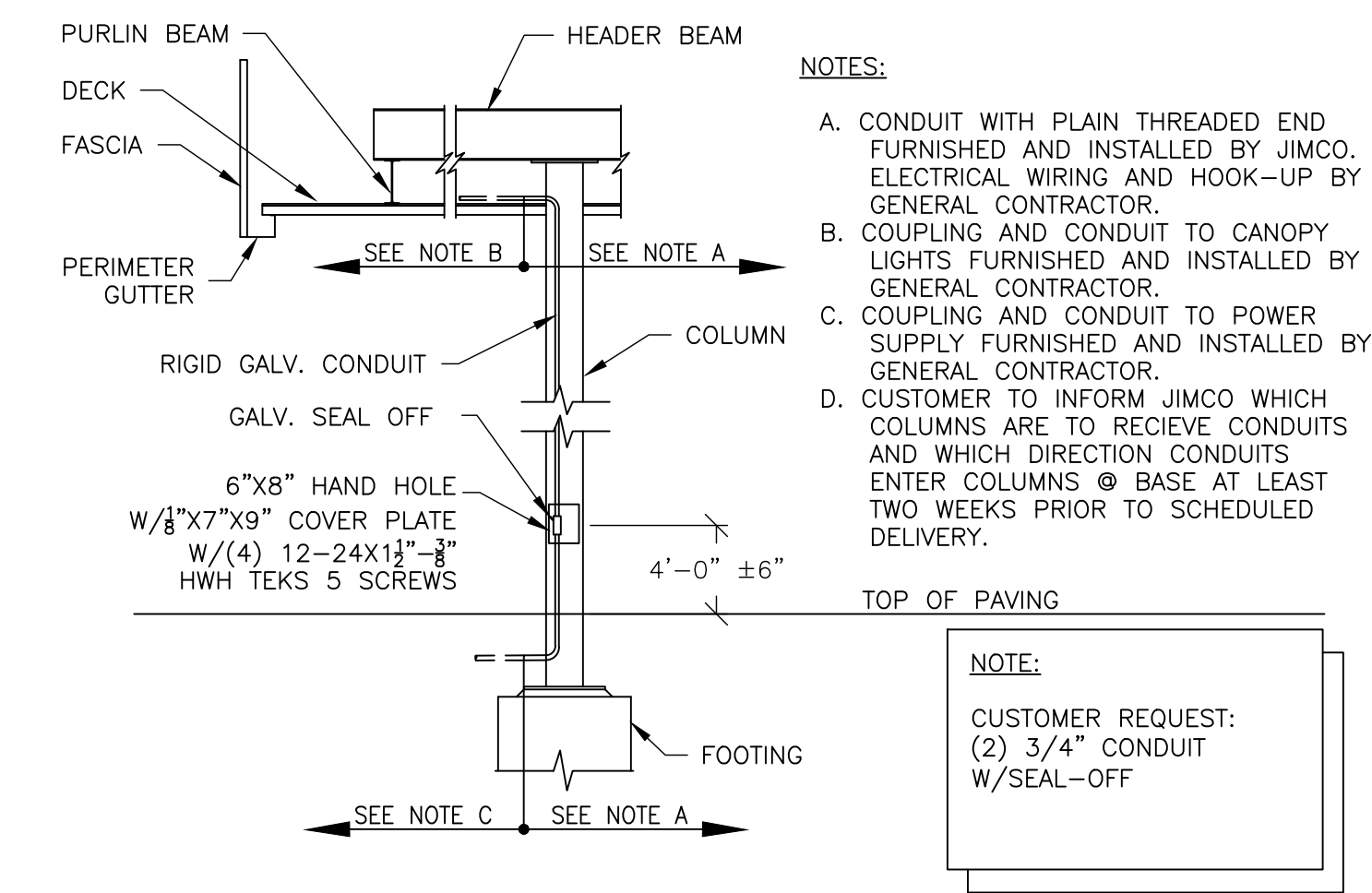
3 COLUMN/B EAM CONNECTION DETAIL
SCALE: 1"=1'-0"



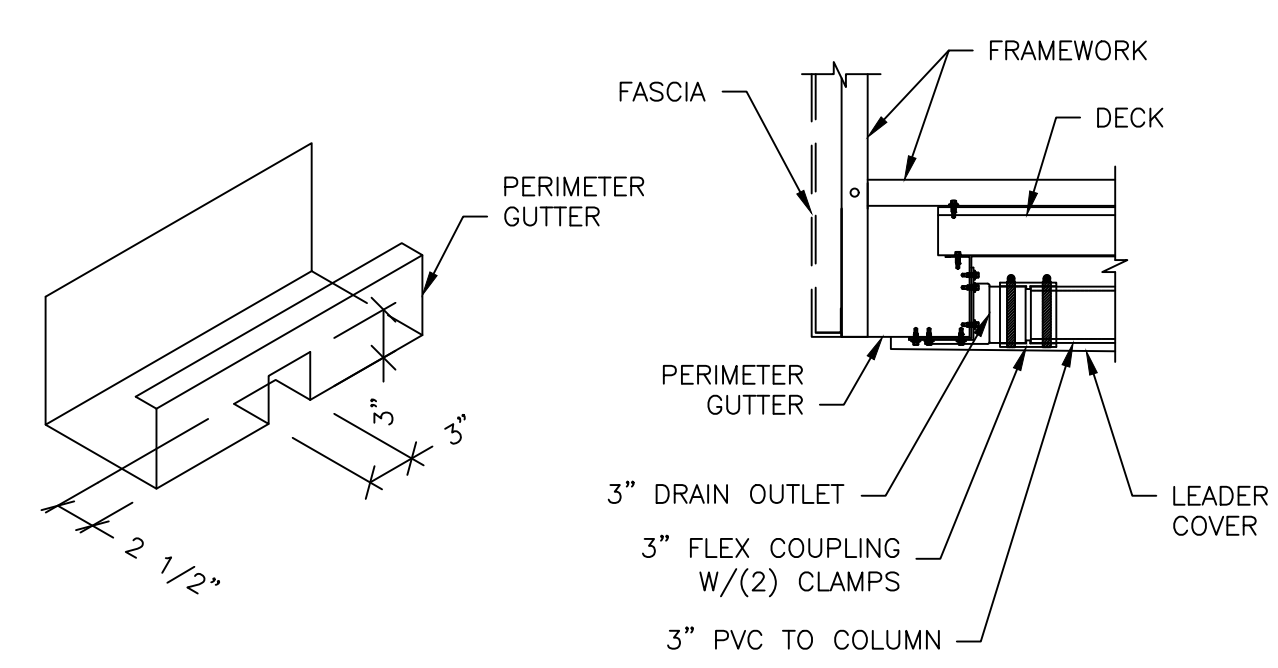
4 BEAM CONNECTION DETAIL
SCALE: 1"=1'-0"



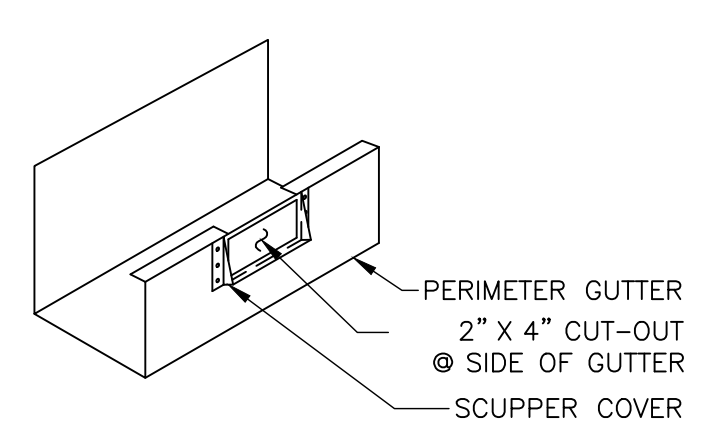
5 COLUMN DRAIN DETAIL
SCALE: 3"=1'-0"



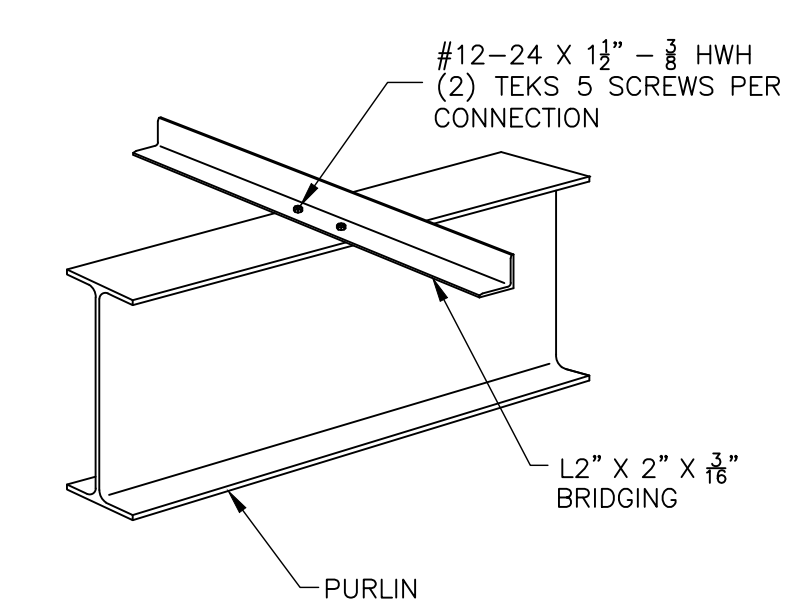
5A INTERNAL CONDUIT DETAIL
SCALE: 3"=1'-0"



6 LEADER CONNECTION DETAIL
SCALE: 1"=1'-0"



7 OVERFLOW SCUPPER DETAIL
SCALE: 1"=1'-0"



8 PURLIN BRIDGING DETAIL
SCALE: 1"=1'-0"

NOTICE: THIS DOCUMENT IS THE PROPERTY OF JIMCO SALES & MFG. NEITHER THIS DOCUMENT NOR ANY DATA OR INFORMATION HEREIN SHALL BE COPIED OR REPRODUCED IN ANY MANNER, LOANED OR OTHERWISE DISPOSED OF, OR USED FOR ANY PURPOSE WHATSOEVER, WITHOUT THE PRIOR WRITTEN PERMISSION OF JIMCO SALES & MFG. IF THIS DOCUMENT IS LOANED BY OR WITH THE AUTHORITY OF JIMCO SALES & MFG, THE BORROWER, INCONSIDERATION OF SUCH LOAN, AGREES TO THE FOREGOING CONDITIONS AND TO RETURN THIS DOCUMENT ON REQUEST OR UPON COMPLETION OF THE SPECIFICALLY AUTHORIZED WORK FOR WHICH IT WAS USED.

DRAWING DESCRIPTION
CANOPY STRUCTURAL SECTIONS AND DETAILS

JOB LOCATION
MISTER CARWASH #392
3101 COORS BLVD
ALBUQUERQUE, NM

ENGINEER SEAL
PATRICK T. BRENNAN
NEW MEXICO
PROFESSIONAL ENGINEER
25559

CUSTOMER	NO.	DESCRIPTION:	DATE:	BY:
MISTER CAR WASH				

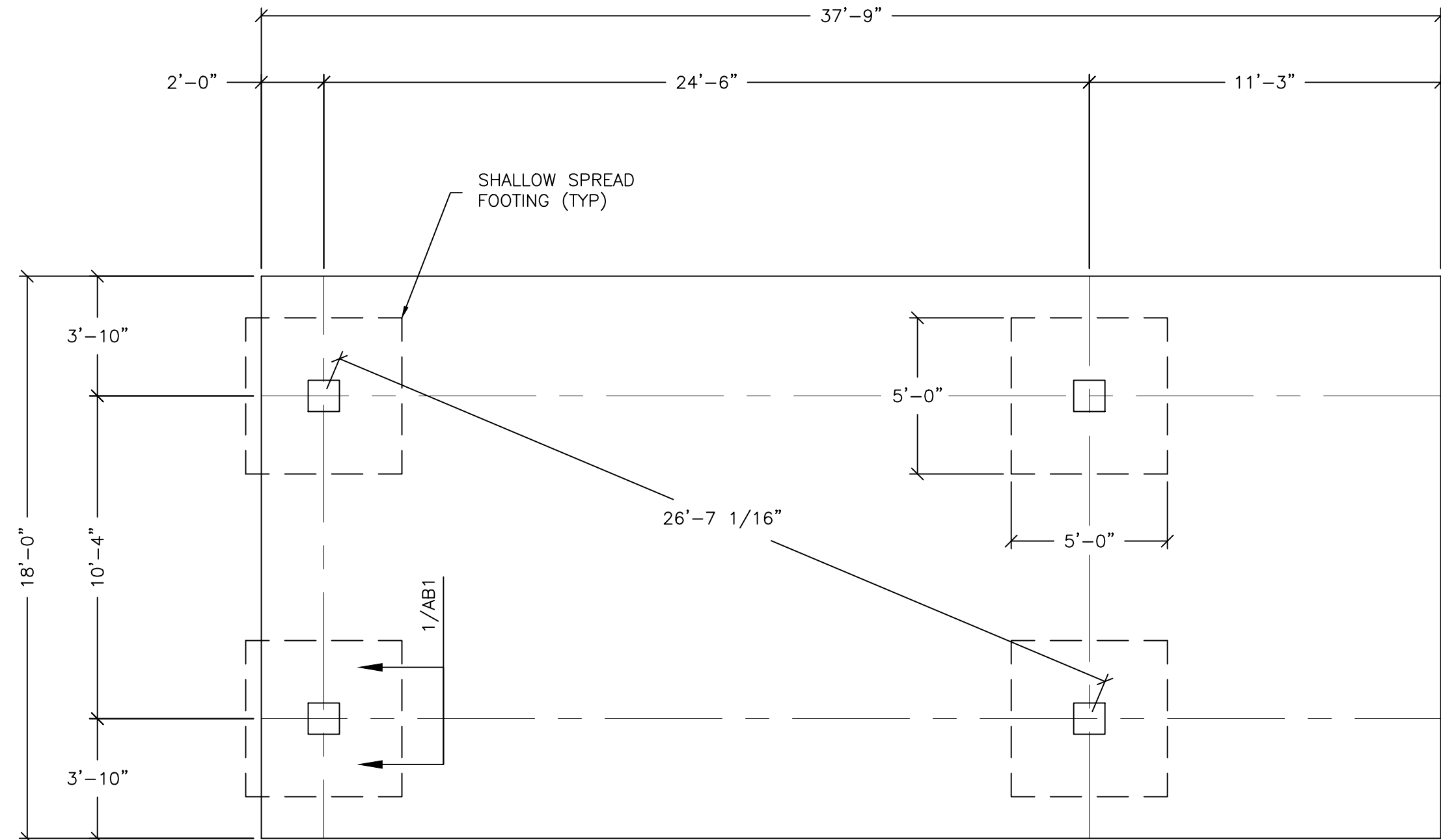
D. CYPHERS
DRAWN BY:
P. BRENNAN
CHECKED BY:
10-14-2021
DATE:

JOB NO.
21-2965R0
DWG. NO.
CS2
OF 3 SHEETS



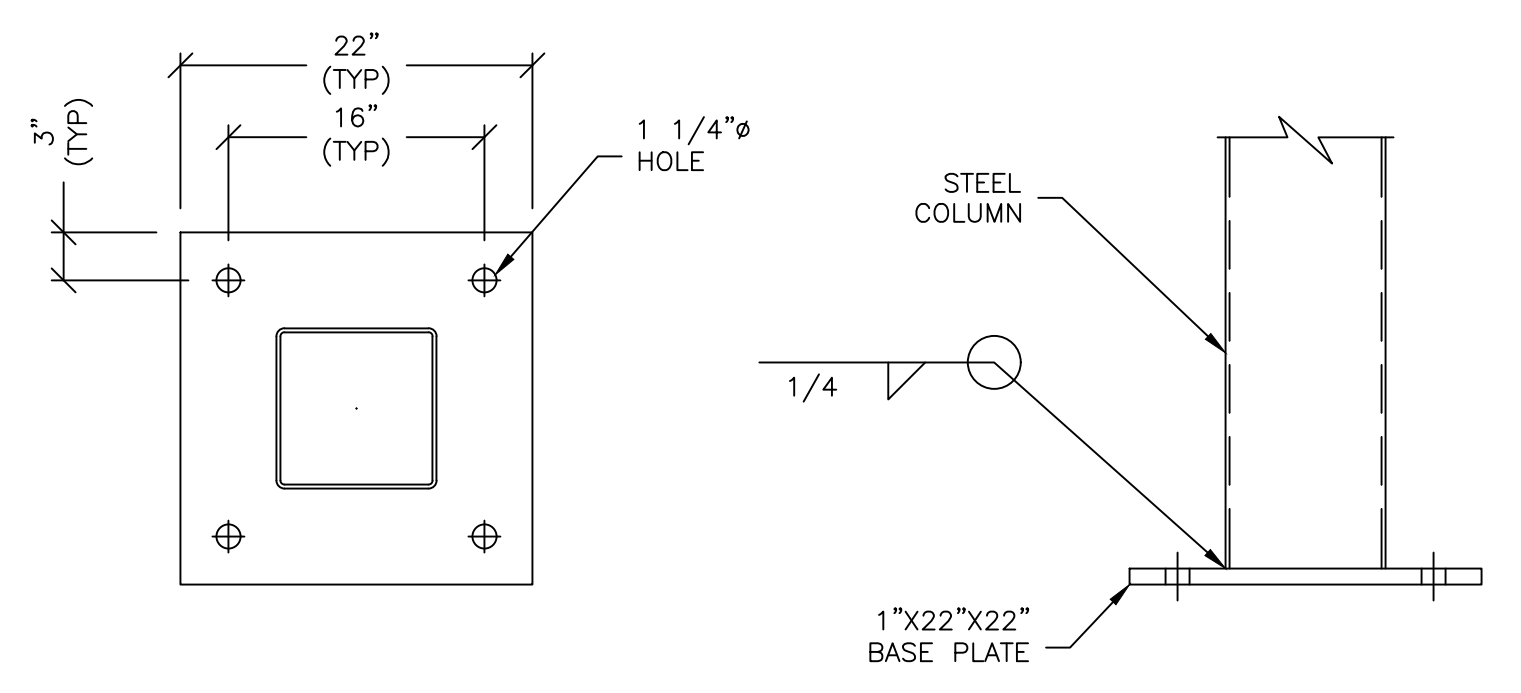
Jimco
SALES AND
MANUFACTURING

3113 St. Louis Ave. Fort Worth, Texas (817)924-6173

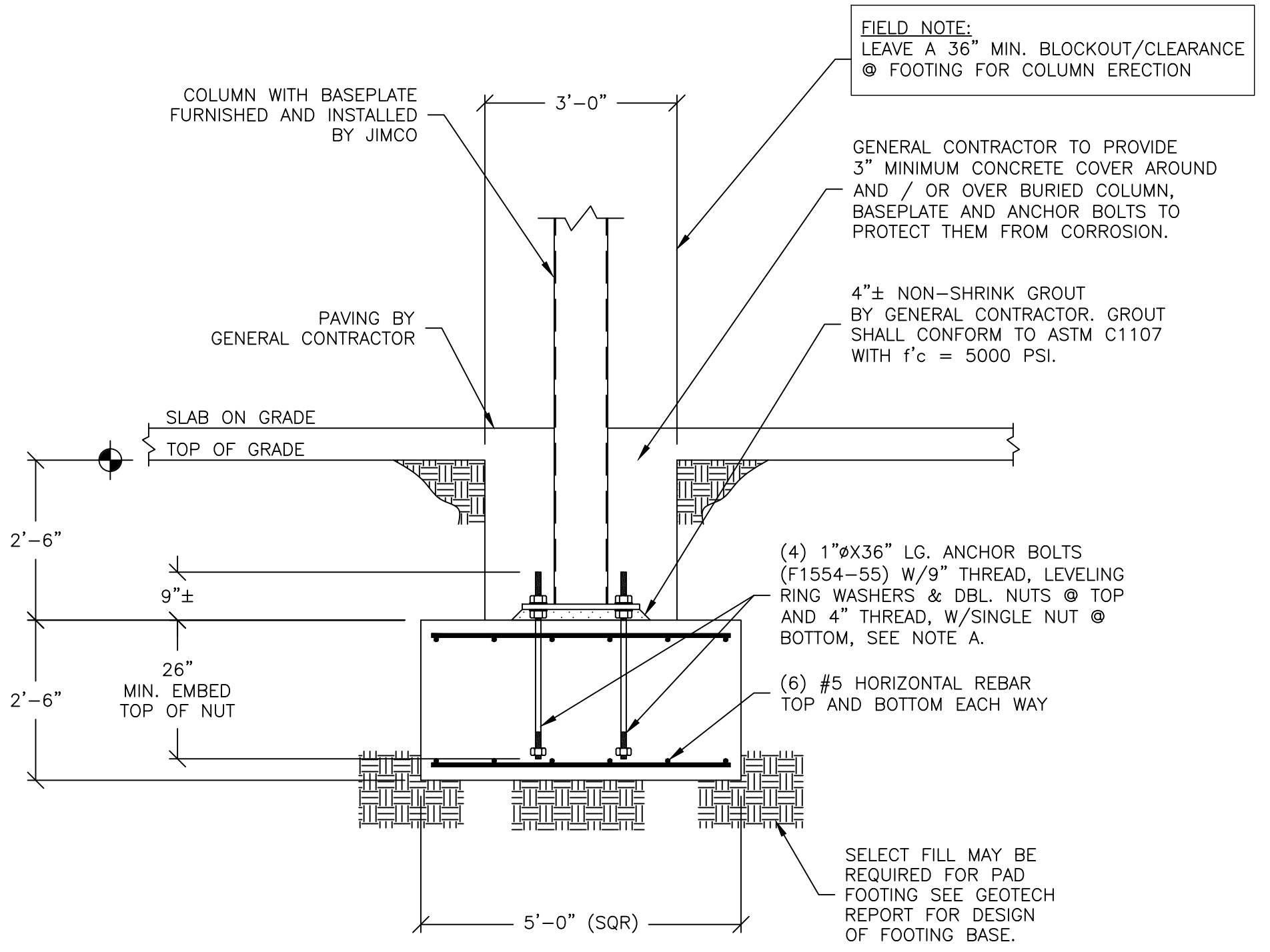


FOUNDATION PLAN
SCALE: 1/4"=1'-0"

NOTE:
A) FOOTINGS INCLUDING CONCRETE, REBAR, FORMWORK AND ASSOCIATED EARTHWORK SHALL BE FURNISHED AND INSTALLED BY GENERAL CONTRACTOR EXCEPT ANCHOR BOLTS SHALL BE FURNISHED BY JIMCO AND INSTALLED BY GENERAL CONTRACTOR.
B) SEE FOUNDATION, CONCRETE NOTES ON DWG CS1.



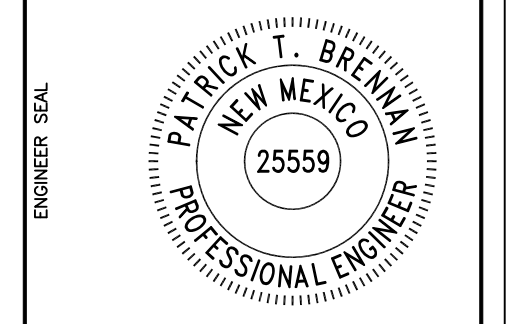
1 BASE PLATE DETAIL
SCALE: 1"=1'-0"



FOOTING DETAIL
SCALE: 1/2"=1'-0"

DRAWING DESCRIPTION
CANOPY FOUNDATION
SECTIONS AND DETAILS

JOB LOCATION
MISTER CARWASH #392
3101 COORS BLVD
ALBUQUERQUE, NM



CUSTOMER	MISTER CAR WASH	
	NO. DESCRIPTION:	DATE: BY:
REVISIONS	NO.	DESCRIPTION:
	DATE:	BY:

D. CYPHERS	DATE:
DRAWN BY:	
P. BRENNAN	DATE:
CHECKED BY:	
10-14-2021	

JOB NO.
21-2965R0
DWG. NO.
AB1
OF 3 SHEETS

NOTICE: THIS DOCUMENT IS THE PROPERTY OF JIMCO SALES & MFG. NEITHER THIS DOCUMENT NOR ANY DATA OR INFORMATION HEREIN SHALL BE COPIED OR REPRODUCED IN ANY MANNER, LOANED OR OTHERWISE DISPOSED OF, OR USED FOR ANY PURPOSE WHATSOEVER, WITHOUT THE PRIOR WRITTEN PERMISSION OF JIMCO SALES & MFG. IF THIS DOCUMENT IS LOANED BY OR WITH THE AUTHORITY OF JIMCO SALES & MFG, THE BORROWER, INCONSIDERATION OF SUCH LOAN, AGREES TO THE FOREGOING CONDITIONS AND TO RETURN THIS DOCUMENT ON REQUEST OR UPON COMPLETION OF THE SPECIFICALLY AUTHORIZED WORK FOR WHICH IT WAS USED.