

ADMINISTRATIVE AMENDMENT

FILE #: _____ PROJECT #: _____

APPROVED BY

DATE

SITE DATA

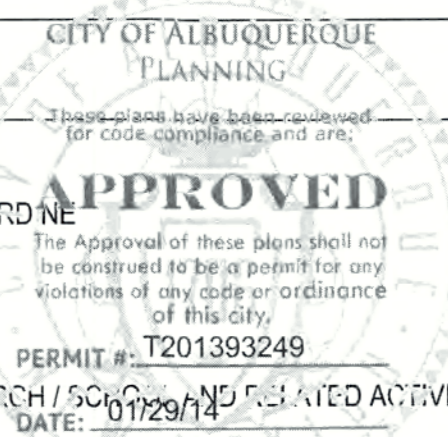
ADDRESS
7701 CANDELARIA ROAD NE
ALBUQUERQUE, NM 87100

ZONING
SU-1

SITE USE
PRIVATE CHURCH AND SCHOOL

BUILDING USE
MAIN SCHOOL BUILDING - K-8 SCHOOL

TOTAL SCHOOL OCCUPANCY



CHURCH OFFICES
SCHOOL OFFICES

(250 STUDENTS)

PARKING

1 SPACE PER TEACHER REQUIRED FOR SCHOOL - 12 TEACHERS = 12 PARKING SPOTS
1 SPACE PER FOUR SEATS IN SANCTUARY 510 SEATS = 127 SPACES

TOTAL PARKING EXISTING = 132 SPACES

SPACES ARE NOT CUMULATIVE SINCE CHURCH AND SCHOOL ARE ON DIFFERENT DAYS
ADA REQUIREMENTS 5 SPACES FOR 101-150 SPACES IN PARKING LOT

architecture
interiors
landscape
planning
engineering

**Dekker
Perich
Sabatini**

7601 Jefferson NE Suite 100
Albuquerque, NM 87109
505 761-9700
fax 761-4222
dps@dpsdesign.org

ARCHITECT

ENGINEER

PROJECT

**Christ Lutheran School Building
Tenant Improvement**
7701 Candelaria Road NE
Albuquerque, New Mexico 87110

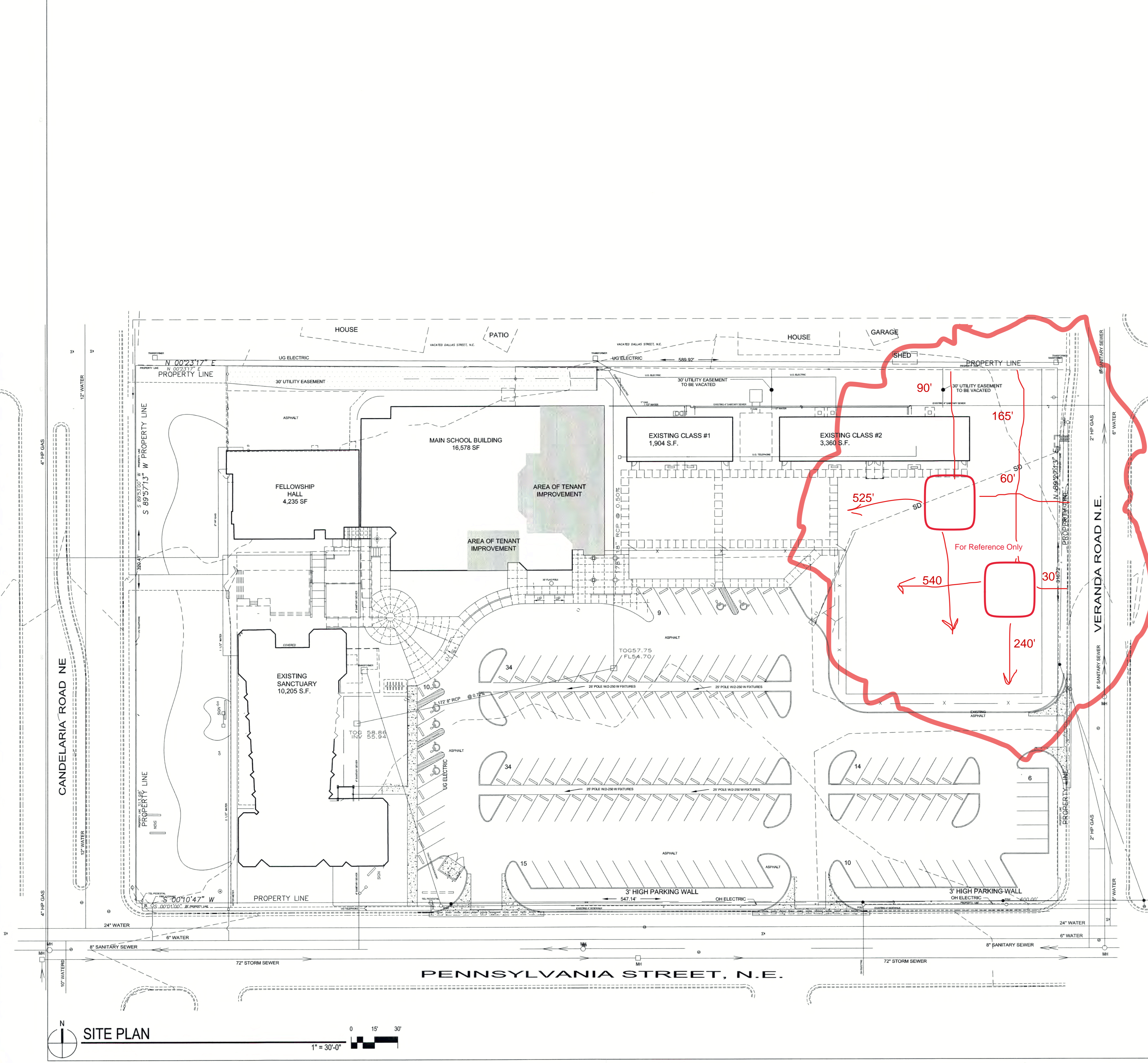
REVISIONS

1	1/8/14	1ST PERMIT REVIEW
---	--------	-------------------

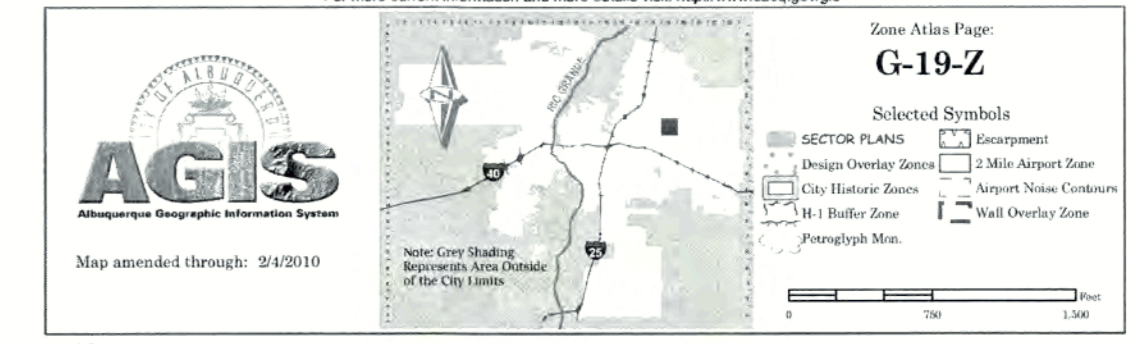
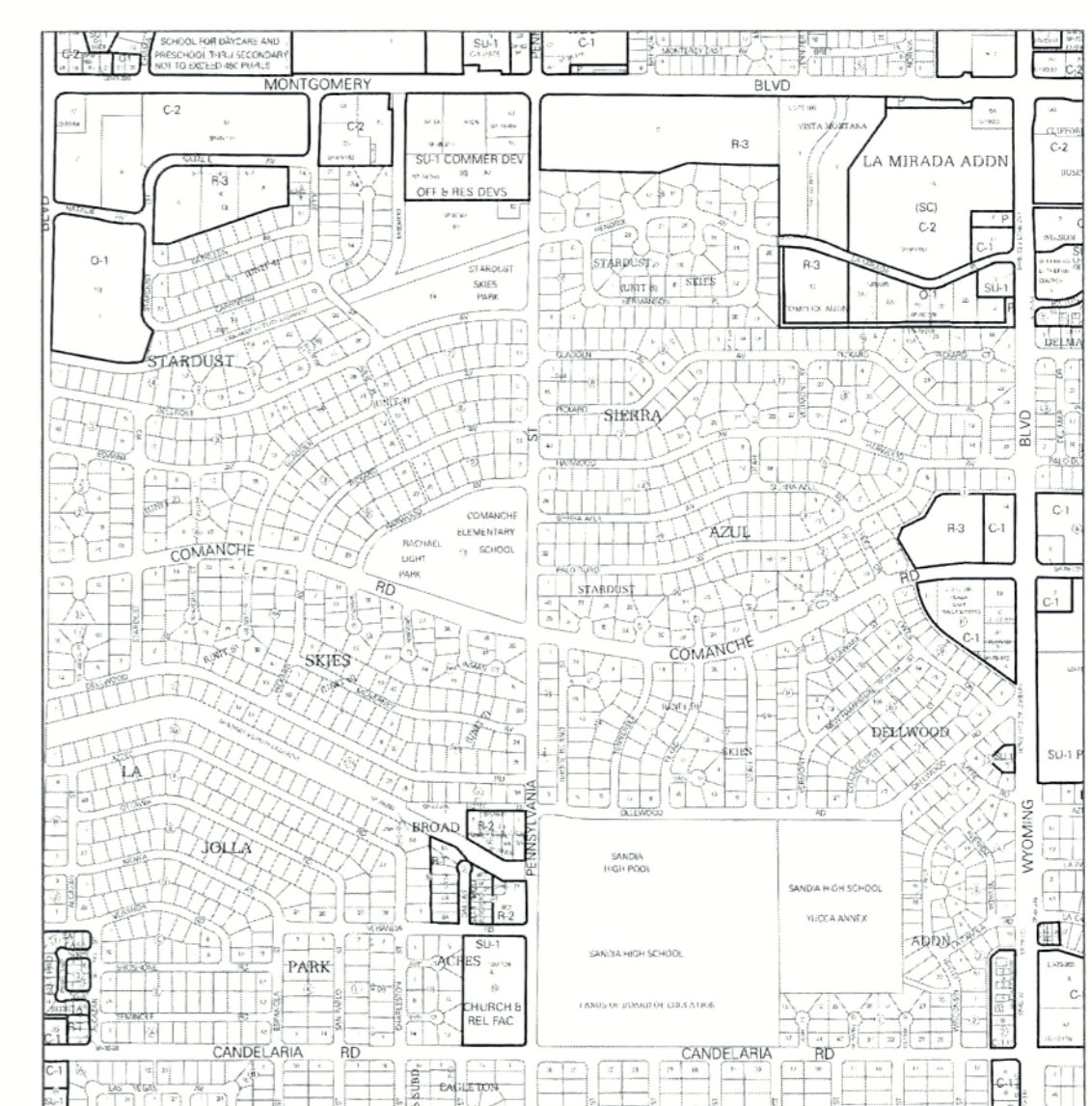
DRAWN BY: MRM
REVIEWED BY: RH
DATE: 12/24/2013
PROJECT NO.: 13-0066.003

DRAWING NAME
SITE PLAN

SHEET NO.
AS-101
OF

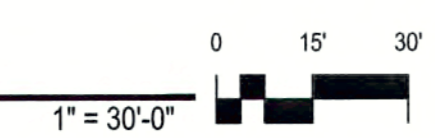


Add 2 14'x14' shingle post fabric shades



VICINITY MAP
Portion of:
Zone Atlas Map G-19-Z

SITE PLAN



GENERAL NOTES

DESIGN LOADS

BUILDING CODE	INTERNATIONAL BUILDING CODE 2015
LIVE LOADS	5 PSF
SNOW LOAD	5 PSF
WIND LOADS	115 MPH* and 180 MPH with Fabric Off 3-Sec. Gust, RISK CATEGORY II & EXPOSURE C

* 115 MPH ACCORDING TO THE ULTIMATE WIND SPEED MAPS OF ASCE 7-10 IS EQUIVALENT TO THE NOMINAL WIND SPEED OF 90 MPH ACCORDING ASCE 7-05 AND IBC 2015 EQ. 16-33.

STRUCTURAL STEEL

- ALL STRUCTURAL SHAPES SHALL BE COLD FORMED HSS ASTM A500 GRADE C. UNLESS OTHERWISE NOTED. TYPICAL MECHANICAL PROPERTIES FOR HSS PRODUCTS:

SQUARE AND RECTANGULAR	50,000 PSI YIELD / 62,000 PSI TENSILE
ROUND PIPE	46,000 PSI YIELD / 62,000 PSI TENSILE
- ALL GALVANIZED STEEL TUBE PRODUCTS ARE MANUFACTURED PER ASTM A500, TYPICAL MECHANICAL PROPERTIES ACHIEVED FOR GALVANIZED TUBE PRODUCTS:

ROUND TUBE	45,000 PSI YIELD / 48,000 PSI TENSILE
------------	---------------------------------------
- ALL PLATES SHALL COMPLY WITH ASTM A572 GRADE 50.
- ALL STEEL TUBING SHALL BE TRIPLE COATED FOR RUST PROTECTION USING THE IN-LINE ELECTROPLATING COAT PROCESS. TUBING SHALL BE INTERNALLY COATED WITH ZINC AND ORGANIC COATINGS TO PREVENT CORROSION AS MANUFACTURED BY ALLIED TUBE & CONDUIT.
- STRUCTURAL STEEL SHALL BE DETAILED, FABRICATED AND ERECTED IN ACCORDANCE WITH A.I.S.C. SPECIFICATIONS.
- ALL SHOP WELDS SHALL BE EXECUTED IN ACCORDANCE WITH THE LATEST EDITION OF THE AMERICAN WELDING SOCIETY (AWS) D1.1 SPECIFICATIONS. ALL WELDS SHALL BE CONTINUOUS WHERE LENGTH IS NOT GIVEN, UNLESS OTHERWISE SHOWN OR NOTED ON DRAWINGS. ALL WELDS SHALL DEVELOP THE FULL STRENGTH OF THE WEAKER MEMBER. ALL WELDS SHALL BE MADE USING E70XX .045 WIRE.
- SHOP CONNECTIONS SHALL BE WELDED UNLESS NOTED OTHERWISE. FIELD CONNECTIONS SHALL BE AS INDICATED ON THE DRAWINGS (IF REQUIRED). ALL FILLET WELDS SHALL BE A MINIMUM OF 3/16" UNLESS OTHERWISE NOTED. FIELD WELDS SHALL NOT BE ALLOWED.
- ALL HIGH STRENGTH BOLTS SHALL COMPLY WITH ASTM F3125 GRADE A325 (GALVANIZED). ALL NUTS SHALL COMPLY WITH ASTM A563DH, AND WASHERS SHALL COMPLY WITH ASTM F436.
- ALL HIGH STRENGTH BOLTS SHALL BE TIGHTENED TO A SNUG TIGHT CONDITION.
- ALL STAINLESS STEEL BOLTS / STUDS SHALL COMPLY WITH ASTM F-593, ALLOY GROUP 1 OR 2. ALL NUTS SHALL COMPLY WITH ASTM F-594 ALLOY GROUP 1 OR 2.
- ALL STRUCTURAL STEEL SHALL BE POWDER COATED WITH ONE SHOP COAT (2.5 MILS MIN.) OF ZINC-RICH PRIMER, UNDERCOAT, AND FINISH COAT, OR EQUIVALENT PAINT SYSTEM. THIS COAT IS A WEATHER RESISTANT POWDER COATING BASED ON POLYESTER TGIC (MANUFACTURED BY SHERWIN WILLIAMS, ASKO NOBEL, PPG OR TIGER DRYLAC). TO ACHIEVE OPTIMUM ADHESION, IT IS RECOMMENDED THAT THE PROPER TREATMENT AND DRYING TAKE PLACE BEFORE COATING. POLYESTER POWDER (TGIC) SPECIFICATIONS SHALL BE AS FOLLOWS:
 - PENCIL HARDNESS (ASTM D-3363).
 - HUMIDITY (ASTM D-2247).
 - SOLVENT RESISTANCE (PCI METHOD) - 50 DBL RUBS SL. SOFTNESS.

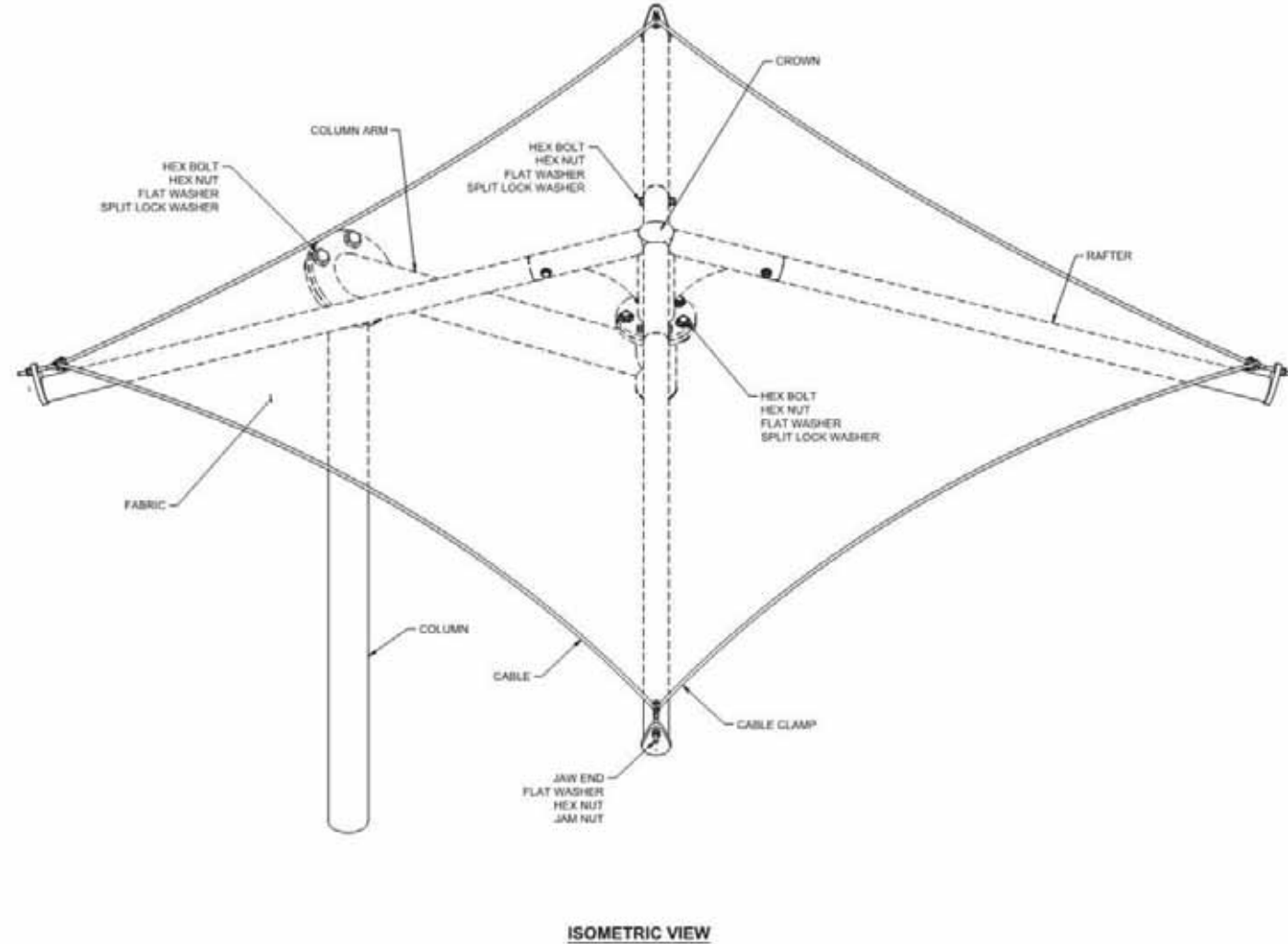
FABRIC SPECIFICATION

- FABRIC SHALL BE A HIGH DENSITY POLYETHYLENE WITH ULTRA VIOLET ADDITIVES, WITH MONOFILAMENT AND TAPE CONSTRUCTION GIVING A STABLE MATERIAL AND RACHEL KNITTED TO ENSURE MATERIAL WILL NOT UNRAVEL IF CUT
- | | | |
|----------------|--------------------------------------|--------------------------------------|
| | <u>SOLID COLORS</u> | <u>STRIPE COLORS</u> |
| TEAR STRENGTH | WARP 220.4622 LB
WEFT 462.9707 LB | WARP 182.9836 LB
WEFT 401.2413 LB |
| BURST STRENGTH | 37.7098 PSIA | 33.0686 PSIA |
| FADING | MINIMUM FADING AFTER 5 YEARS | |

LIFE EXPECTANCY: A MINIMUM OF 8 YEARS CONTINUOUS EXPOSURE TO THE SUN
FIRE TEST ON FABRIC: NFPA 701 TEST 2 AND ASTM E 84
- THREAD-PTFE (TEFLON) USED MEET THE FOLLOWING SPECIFICATIONS: HIGH STRENGTH, LOW SHRINKAGE, WIDE TEMPERATURE RANGE, FLEX ABRASION RESISTANT AND UV RADIATION IMMUNITY. LOCKSTITCH - 1200 DENIER. CHAINSTITCH THREAD - 2400 DENIER.

AIRCRAFT CABLE

- WIRE ROPE CABLE SHALL BE 7x19 STRAND CORE GALVANIZED WIRE ROPE WITH A BREAKING STRENGTH VALUE OF 7,000 LBS (1/4" DIAMETER)
- CABLES SHALL BE FED THROUGH THE FABRIC SLEEVES AROUND THE PERIMETER OF THE CANOPY AND TENSIONED UNTIL THE FABRIC PANELS (DESIGNED PURPOSEFULLY UNDERSIZED) REACH A TAUNT APPEARANCE. ANY LONG TERM CABLE SAG SHALL BE MINIMIZED DURING THE MAINTENANCE RE-TIGHTENING VISITS AS REQUIRED.



LIST OF MATERIALS

ITEM	QTY	DESCRIPTION	SMI PART No.
BOLT	5	BOLT,HEX,3/4"-10 x 3",GLV ASTM A325	308073
HEX NUT	5	NUT,HEX,3/4",GLV A194 2H	307687
WASHER	10	WASHER,FLAT,3/4",GLV ASTM F436	307624
SPLIT LOCK WASHER	5	WASHER,SPLIT LOCK, 3/4",GLV	307832
BOLT	4	BOLT,HEX,1"-8 x 4",GLV ASTM A325	307722
HEX NUT	4	NUT,HEX,1"-8, GLV, A194 2H	307968
SPLIT LOCK WASHER	4	WASHER,SPLIT LOCK, 1",GLV	307620
FLAT WASHER	8	WASHER,FLAT,1",GLV ASTM F436	307619
ANCHOR ROD	4	ANCHOR ROD Sets,7/8"x24" F1554 GR55	307612
BOLT	4	BOLT,HEX,1/2"-13 x 4-1/2",GLV ASTM A325	309108
HEX NUT	4	NUT,HEX,1/2",GLV 1213 A 194 2H	308069
WASHER	4	WASHER,SPLIT LOCK, 1/2",GLV	307625
FLAT WASHER	8	WASHER,FLAT,1/2" GLV ASTM F436	307622
JAW END	4	JAW,W/BNC RH&HDW,1/2"x6" DF GLV	308046
FLAT WASHER	4	WASHER,FLAT,1/2" GLV ASTM F436	307622
HEX NUT	4	NUT,HEX,1/2",GLV 1213 A 194 2H	308069
JAM NUT	4	NUT,HEX,1/2"-13NC,GLV,(JAM NUT)	308081
CABLE CLAMP	4	CLAMPS,CABLE,1/4" DF GLV	307633
COLUMN	1	HSS 5.563 x 0.258	SPUBPCOL-CANT-5663-112
FABRIC	1	FABRIC SHADESURE ROYAL BLUE	200000SRB
CABLE	1	WIRE ROPE, 7x19, 1/4", GALV	307604
RAFTER	4	3.5 GA 08 RD TUBING	SPR-350-QRE-112
BEAM	1	HSS 5.563 x 0.258	SPARM-CANT-5663-88
CROWN	1	UNPAINTED SPPCP-350-F3-QRE	SPPCP-350-F3-QRE

NOTICE

- FABRIC TOP NEEDS TO BE REMOVED IF SNOW EXCEEDING 5 PSF IS ANTICIPATED
- FABRIC TOP NEEDS TO BE REMOVED IF WINDS EXCEEDING 115 MPH ARE ANTICIPATED. SEE NOTES FOR DESIGN LOADS

CODE ANALYSIS

BUILDING	OCCUPANCY	CONSTRUCTION TYPE	AREA (SQFT)	OCCUPANT LOAD
SHADE STRUCTURE 14' 0" x 14' 0"	U	V-B	196	N/A

THESE PLANS AND SPECIFICATIONS ARE THE PROPERTY OF USA SHADE AND FABRIC STRUCTURES AND SHALL NOT BE REPRODUCED WITHOUT THEIR WRITTEN PERMISSION.



CORPORATE HEADQUARTERS
2580 ESTERS BLVD., SUITE 100
DFW AIRPORT, TX 75261
800-966-5005

CERTIFICATIONS:

IAS CERTIFICATION No: FA-428
CLARK COUNTY MANUFACTURER CERTIFICATION NUMBER (NEVADA): 355

CUSTOMER:

Creative Recreational Designs

PROJECT NAME:

82500-Christ Lutheran School

LOCATION:

Albuquerque NM

PROJECT NUMBER:

Q-024676

STRUCTURE TYPE:

Single Post Pyramid Cantilever QRE 127

SIZE:

14' 0" x 14' 0" x 8' 0"e

SCALE: AS NOTED

DRAWING SIZE

B

ENG	MP
CHK	MP
DRW	MP
DATE	
DESCRIPTION FOR CONSTRUCTION	
RELEASE FOR CONSTRUCTION	
REV	NC

Eng. By:	MP
Design By:	MP
Approved By:	MP

DRAWING DESCRIPTION:

NOTES / LOM

DWG.

PAGE

1000

REV

NC



THESE PLANS AND SPECIFICATIONS ARE THE PROPERTY OF USA SHADE AND FABRIC STRUCTURES AND SHALL NOT BE REPRODUCED WITHOUT THEIR WRITTEN PERMISSION.



CORPORATE HEADQUARTERS
2580 ESTERS BLVD., SUITE 100
DFW AIRPORT, TX 75261
800-966-5005

CERTIFICATIONS:
IAS CERTIFICATION No: FA-428
CLARK COUNTY MANUFACTURER CERTIFICATION NUMBER (NEVADA): 355

CUSTOMER:
Creative Recreational Designs
PROJECT NAME:
82500-Christ Lutheran School
LOCATION:
Albuquerque NM
PROJECT NUMBER:
Q-024676

STRUCTURE TYPE:
Single Post Pyramid Cantilever QRE 127
SIZE:
14' 0" x 14' 0" x 8' 0"e

SCALE: AS NOTED
DRAWING SIZE

B

REV	DESCRIPTION	DATE	DRW	CHK	ENG
NC	RELEASE FOR CONSTRUCTION		MP	MP	MP

Eng. By: MP
Design By: MP
Approved By: MP

DRAWING DESCRIPTION:
ELEVATIONS AND DETAILS

DWG. PAGE 2000

REV **NC**

TABLE OF DIMENSIONS

W	L	H	C	HT	CL	COL	RL
14' 0"	14' 0"	8' 0"	3' 8"	11' 8"	0' 11"	9' 4"	9' 4"

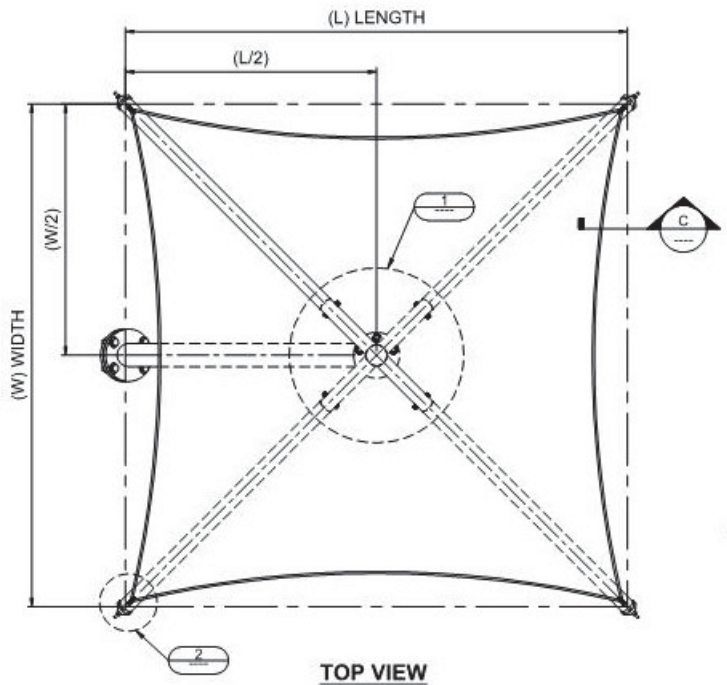
TABLE OF DIMENSIONS KEY

W	WIDTH
L	LENGTH
H	ENTRY HEIGHT
C	SHADE HEIGHT
HT	TOTAL HEIGHT
CL	FABRIC CATENARY - LENGTH
COL	COLUMN LENGTH
RL	RAFTER LENGTH

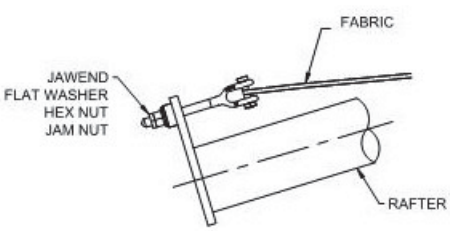
PLAN NORTH



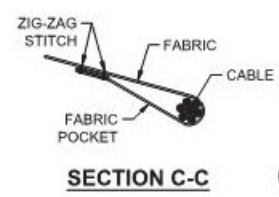
FOR TRUE NORTH
SEE CUSTOMER'S
SITE PLAN



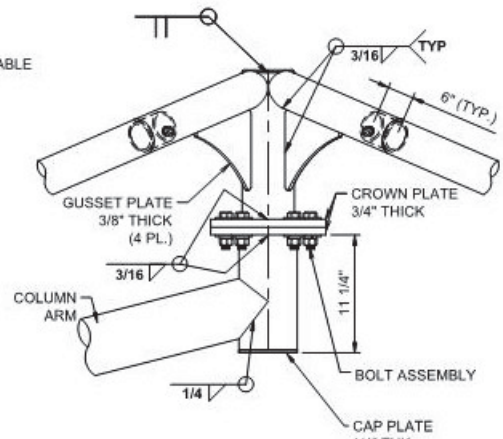
TOP VIEW



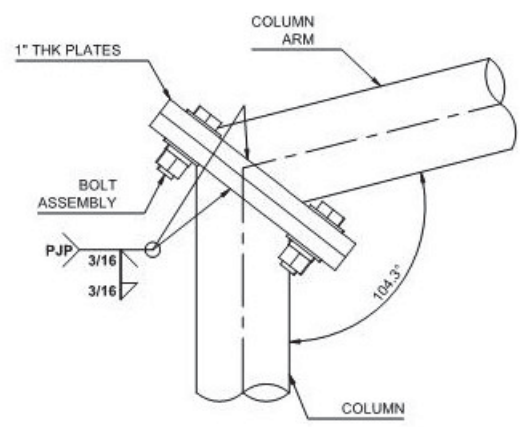
VIEW B-B



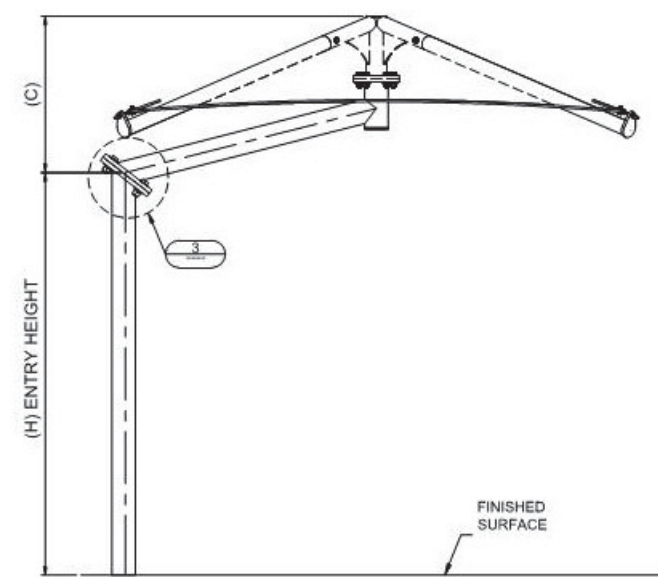
SECTION C-C



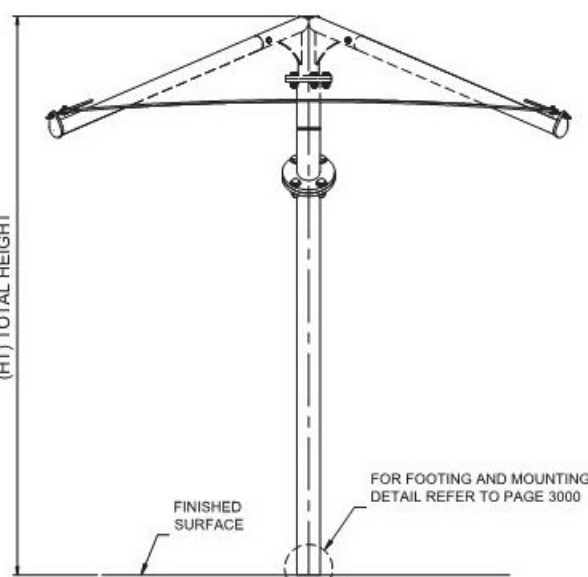
VIEW A-A
(FABRIC OMITTED FOR CLARITY)



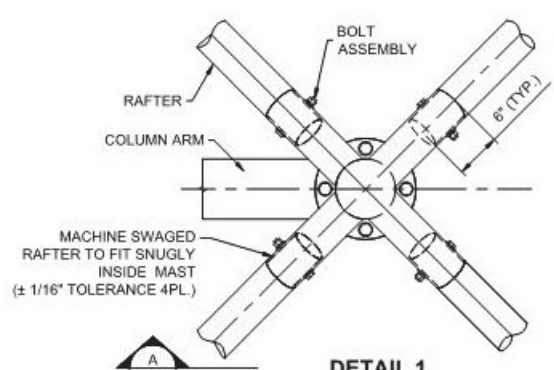
DETAIL 3



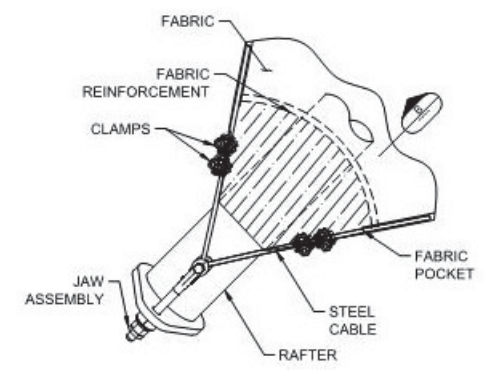
FRONT ELEVATION



SIDE ELEVATION



DETAIL 1
(FABRIC OMITTED FOR CLARITY)



DETAIL 2





THESE PLANS AND SPECIFICATIONS ARE THE PROPERTY OF USA SHADE AND FABRIC STRUCTURES AND SHALL NOT BE REPRODUCED WITHOUT THEIR WRITTEN PERMISSION.



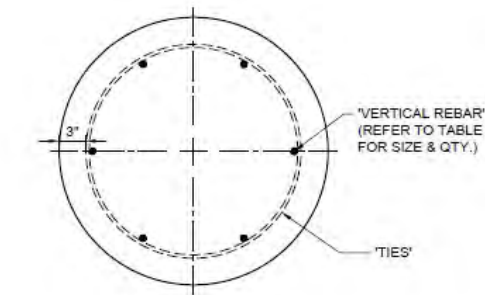
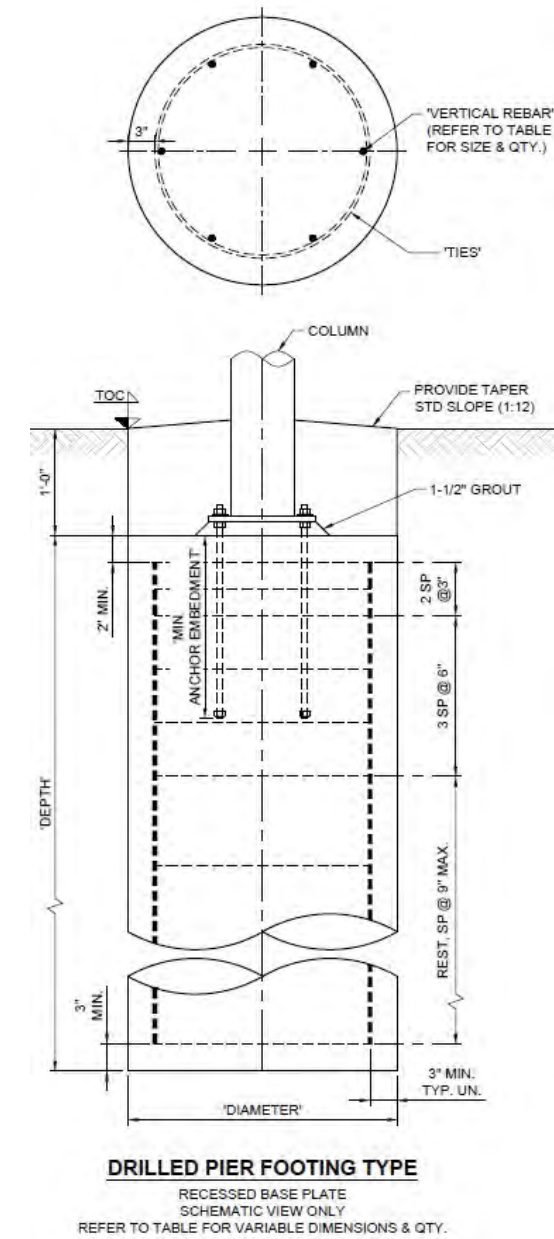
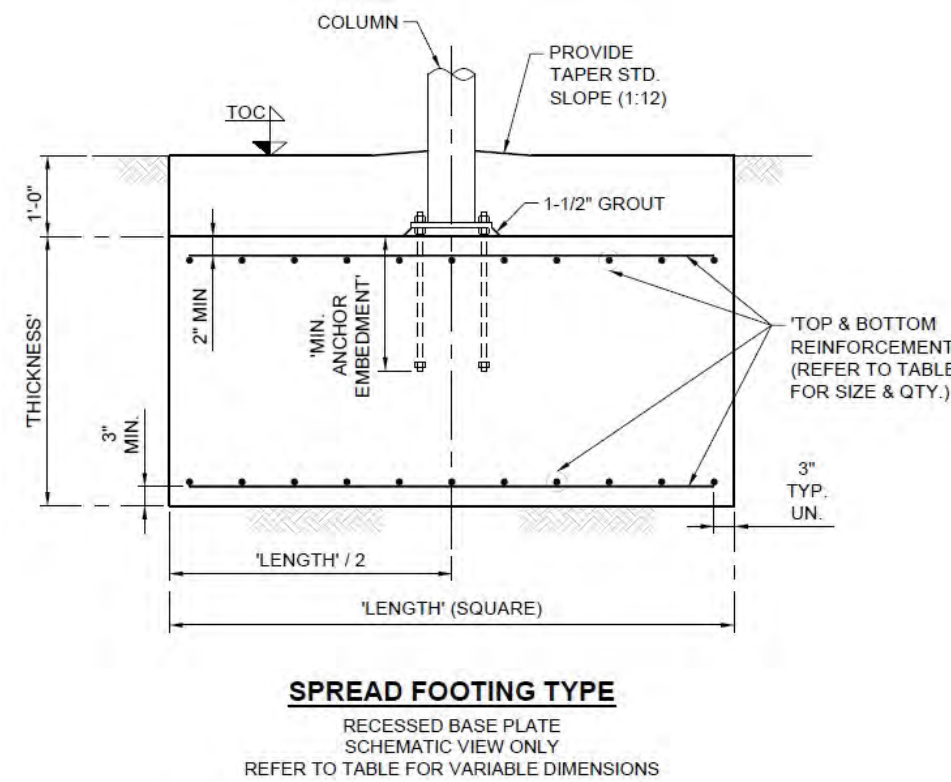
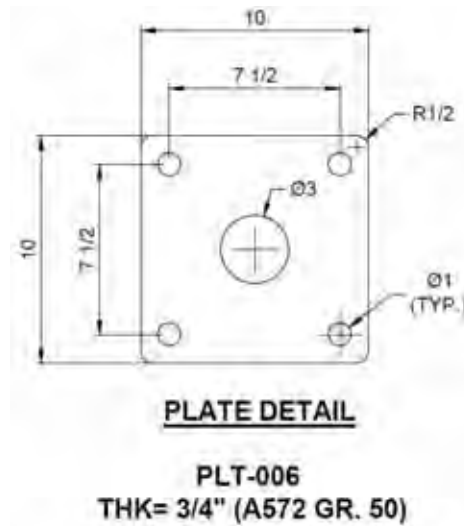
CORPORATE HEADQUARTERS
2580 ESTERS BLVD., SUITE 100
DFW AIRPORT, TX 75261
800-966-5005

REINFORCED CONCRETE NOTES

- CONCRETE WORK SHALL BE EXECUTED IN ACCORDANCE WITH THE LATEST EDITION OF THE AMERICAN CONCRETE INSTITUTE SPECIFICATION FOR STRUCTURAL CONCRETE ACI 301 AND BUILDING CODE ACI 318. CONCRETE SPECIFICATIONS SHALL BE AS FOLLOWS:
 - 28 DAY STRENGTH: 2500 PSI
 - SLUMP: 3-5
 - PORTLAND CEMENT SHALL CONFORM TO C-150
 - AGGREGATE SHALL CONFORM TO ASTM C-33
- ALL REINFORCEMENT STEEL SHALL CONFORM TO ASTM A-615 GRADE 60; AND SHALL BE DETAILED, FABRICATED AND PLACED IN ACCORDANCE WITH THE LATEST ACI SPECIFICATION FOR STRUCTURAL CONCRETE ACI 301, ACI DETAILING MANUAL AND CRSI MANUAL OF STANDARD PRACTICE.
- ALL ANCHOR BOLTS SET IN NEW CONCRETE (WHEN APPLICABLE) SHALL COMPLY WITH ASTM F-1554 GRADE 55 (GALVANIZED).
- ALL NON-SHRINK GROUT SHALL HAVE A MINIMUM 28 DAYS COMPRESSIVE STRENGTH OF 5000 PSI, AND SHALL COMPLY THE REQUIREMENTS OF ASTM C109, ASTM C939, ASTM C1090, ASTM C1107, WHEN APPLICABLE.
- SOIL PARAMETERS FOR FOOTING ANALYSIS; TABLE 1806.2, CLASS : 5 - 1500(Psi)
- FOR SPREAD FOOTING, EDGE OF COLUMN OR ANCHOR BOLTS MUST BE SET AT LEAST 12" FROM THE EDGE OF SPREAD FOOTING EDGE.
- FOR DRILLED PIER, THE EDGE OF COLUMN MUST BE SET AT LEAST 3/4" FROM REBAR WITHIN DRILLED PIER.
- SPREAD FOOTING ALLOWED TO BE ROTATED AS REQUIRED.
- ANCHOR ROD Sets, 7/8"x24" F1554 GR55, Qty 4

TABLE FOR SPREAD FOOTING								
LENGTH	THICKNESS	TOP AND BOTTOM REINFORCEMENT				MIN. COLUMN EMBEDMENT (EMBED)	MIN. ANCHOR EMBEDMENT (RECESS. & SURFACE)	
(FT)	(FT)	QTY.	SIZE	SPACING (IN)		(IN)	(IN)	
5.00	3.00	7	#5	@ 9.00	O.C.E.W.	33	19	

TABLE FOR NON-CONSTRAINED DRILLED PIER FOOTING								
DIAMETER	DEPTH	VERTICAL REBAR		TIES		MIN. COLUMN EMBEDMENT (EMBED)	MIN. ANCHOR EMBEDMENT (RECESS. & SURFACE)	
(FT)	(FT)	QTY.	SIZE	QTY.	Ø LOOP (FT)	SIZE	(IN)	
2.00	7.00	6.00	#8	13	1.50	#4	36	



CERTIFICATIONS:
IAS CERTIFICATION No: FA-428
CLARK COUNTY MANUFACTURER CERTIFICATION NUMBER (NEVADA): 355

CUSTOMER:
Creative Recreational Designs

PROJECT NAME:
82500-Christ Lutheran School

LOCATION:
Albuquerque NM

PROJECT NUMBER:
Q-024676

STRUCTURE TYPE:
Single Post Pyramid Cantilever QRE 127

SIZE:
14' 0" x 14' 0" x 8' 0"e

SCALE: AS NOTED

DRAWING SIZE

B

REV	DESCRIPTION	DATE	DRW	CHK	ENG
NC	RELEASE FOR CONSTRUCTION		MP	MP	MP

Eng. By: MP
Design By: MP
Approved By: MP

DRAWING DESCRIPTION:
FOOTING DETAILS

DWG. PAGE

3000

REV
NC

