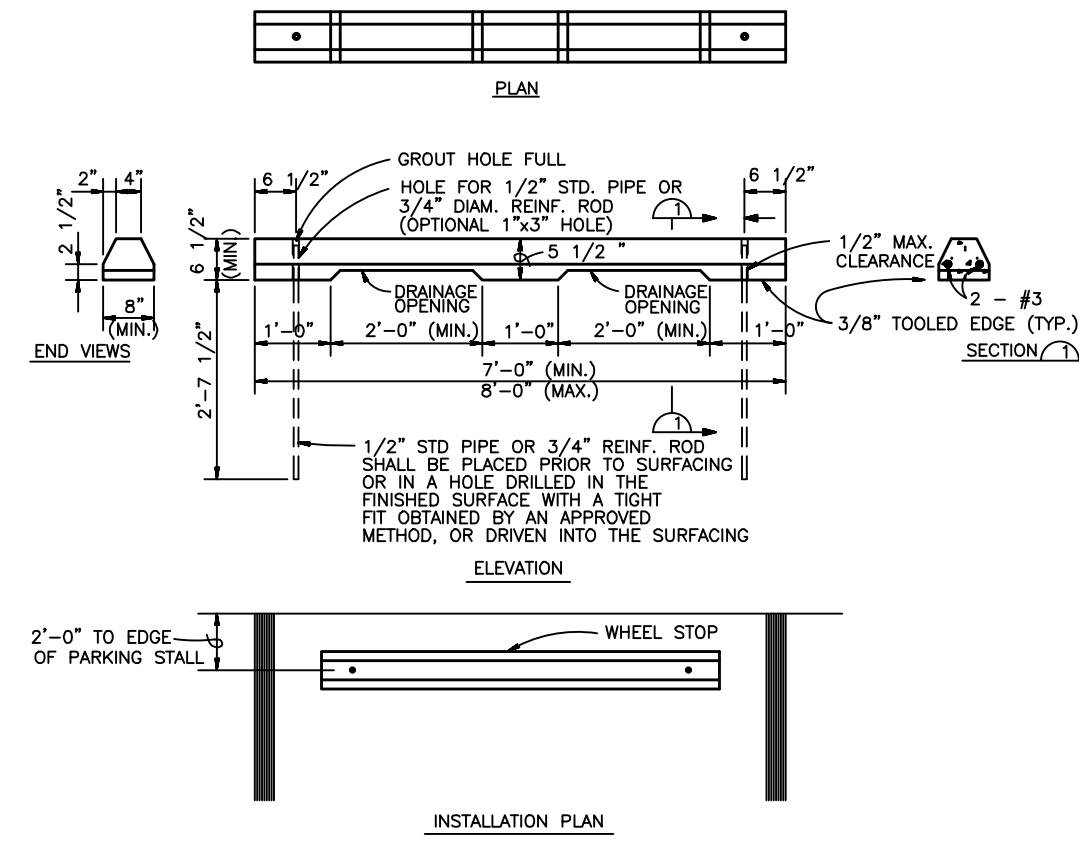
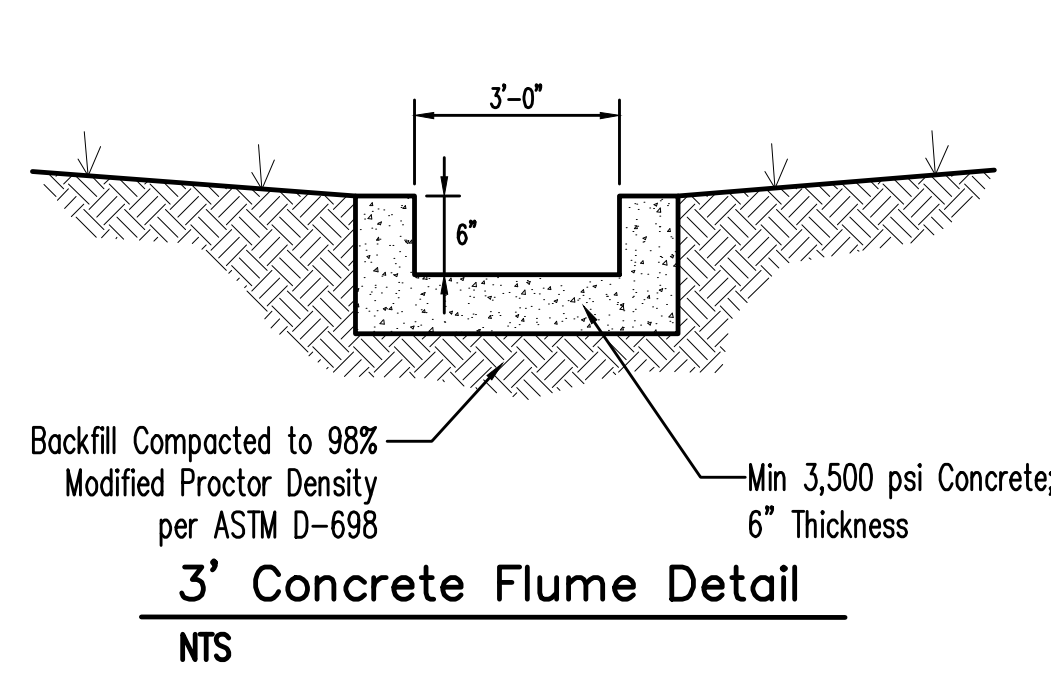


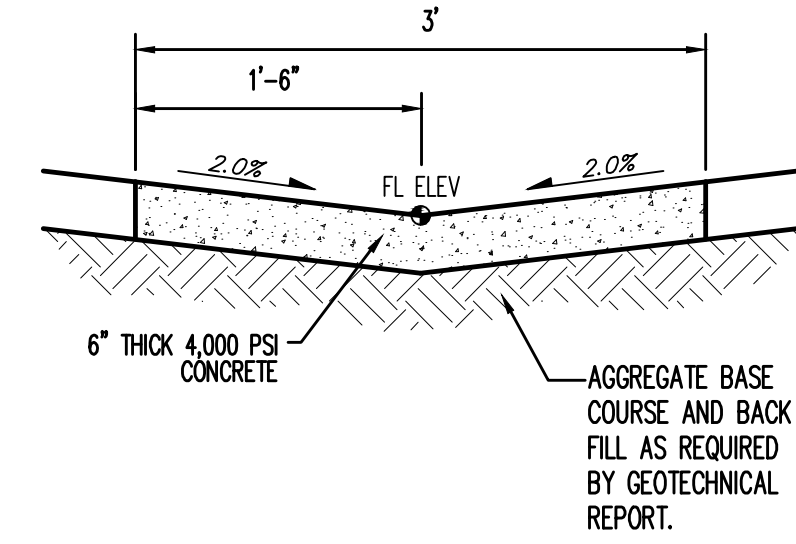
Pipe Bollard Detail
NTS



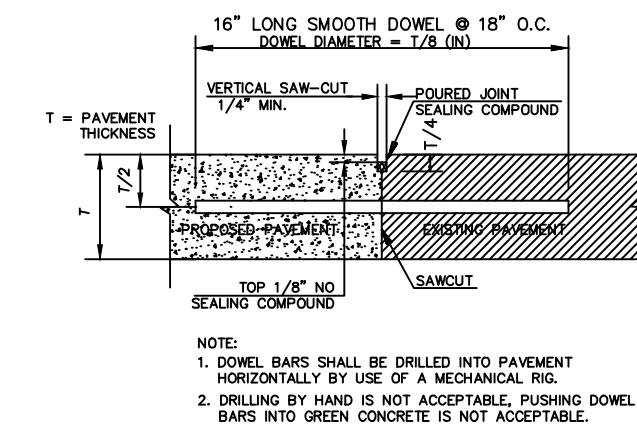
Precast Concrete Wheel Stop
NTS



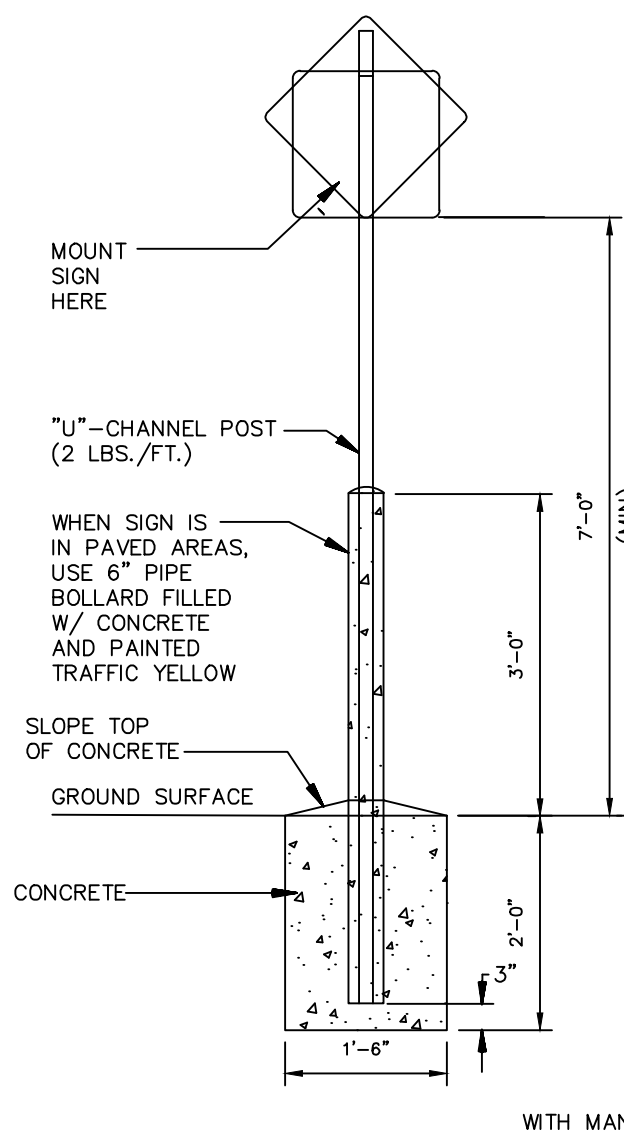
3' Concrete Flume Detail
NTS



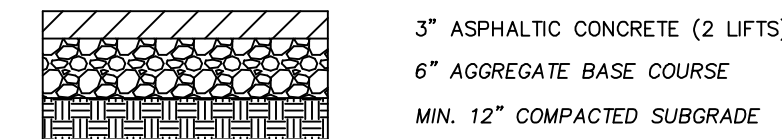
Valley Gutter Detail
NTS



Concrete Sidewalk Butt Joint
NTS

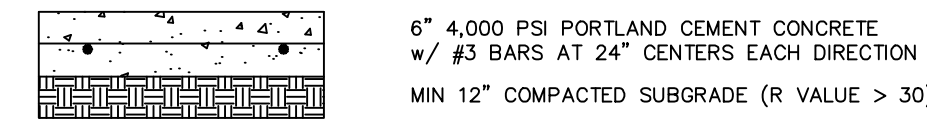


Standard Sign Base
NTS

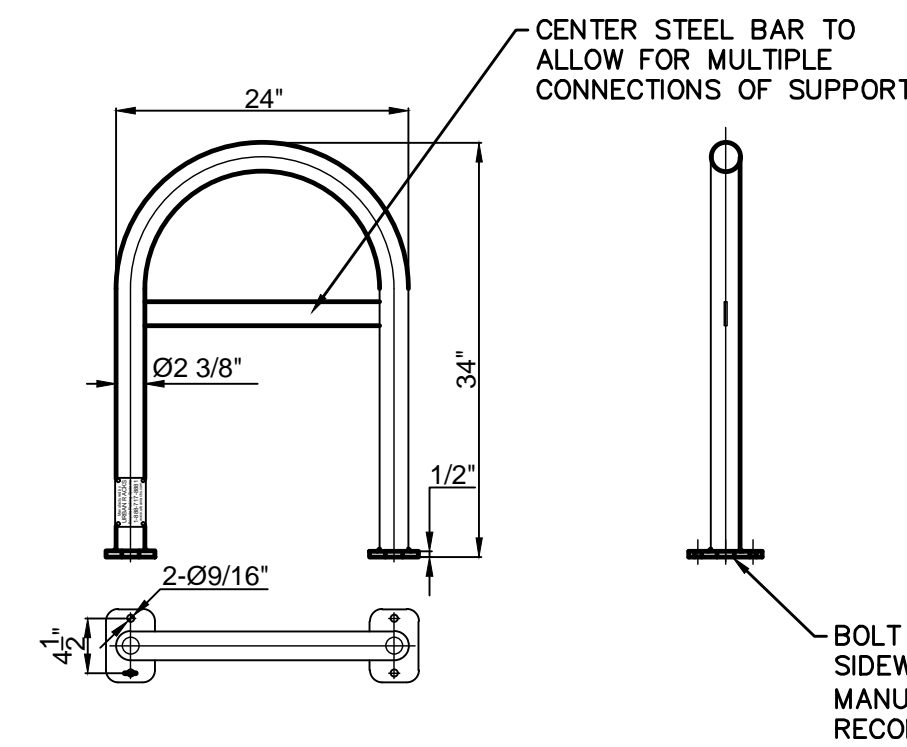


- NOTES:
1. ASPHALT PAVEMENT, BASE COURSE, AND SUBGRADE SHALL MEET THE SPECIFICATIONS OF THE NMDOT 2014 SPECIFICATIONS FOR HIGHWAY AND BRIDGE CONSTRUCTION.
 2. ASPHALT PAVEMENT SHALL BE SP-III PER NMDOT SPEC SECTION 423.
 3. AGGREGATE BASE COURSE SHOULD BE TYPE 1 PER NMDOT SPEC SECTION 303.
 4. SUBGRADE SHALL BE COMPACTED TO A MINIMUM OF 95% MAXIMUM DRY DENSITY AT OPTIMUM MOISTURE CONTENT (+/- 3%) AS DETERMINED BY ASTM D-1557.
 5. ALL FILL BELOW SUBGRADE SHALL EXHIBIT A MINIMUM R-VALUE OF 45.

Asphalt Pavement Section
N.T.S.

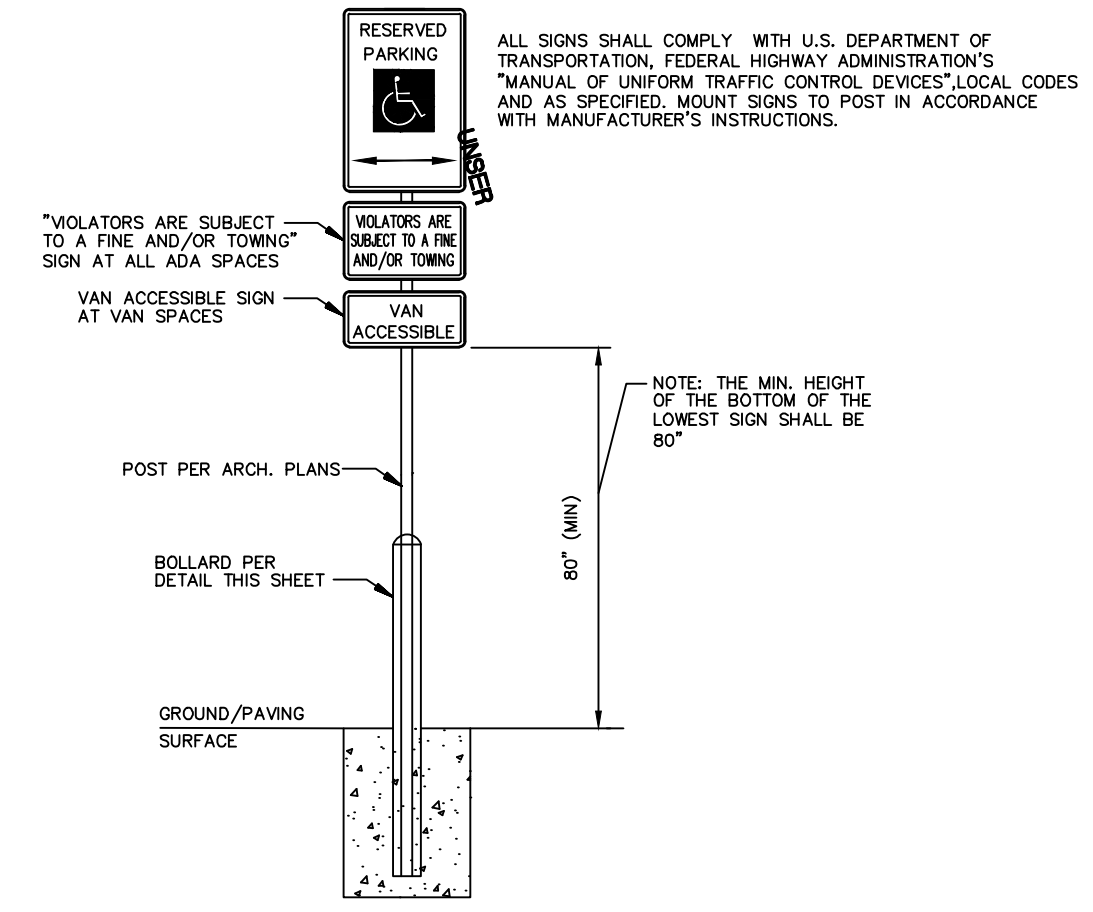


Concrete Pavement Section
N.T.S.

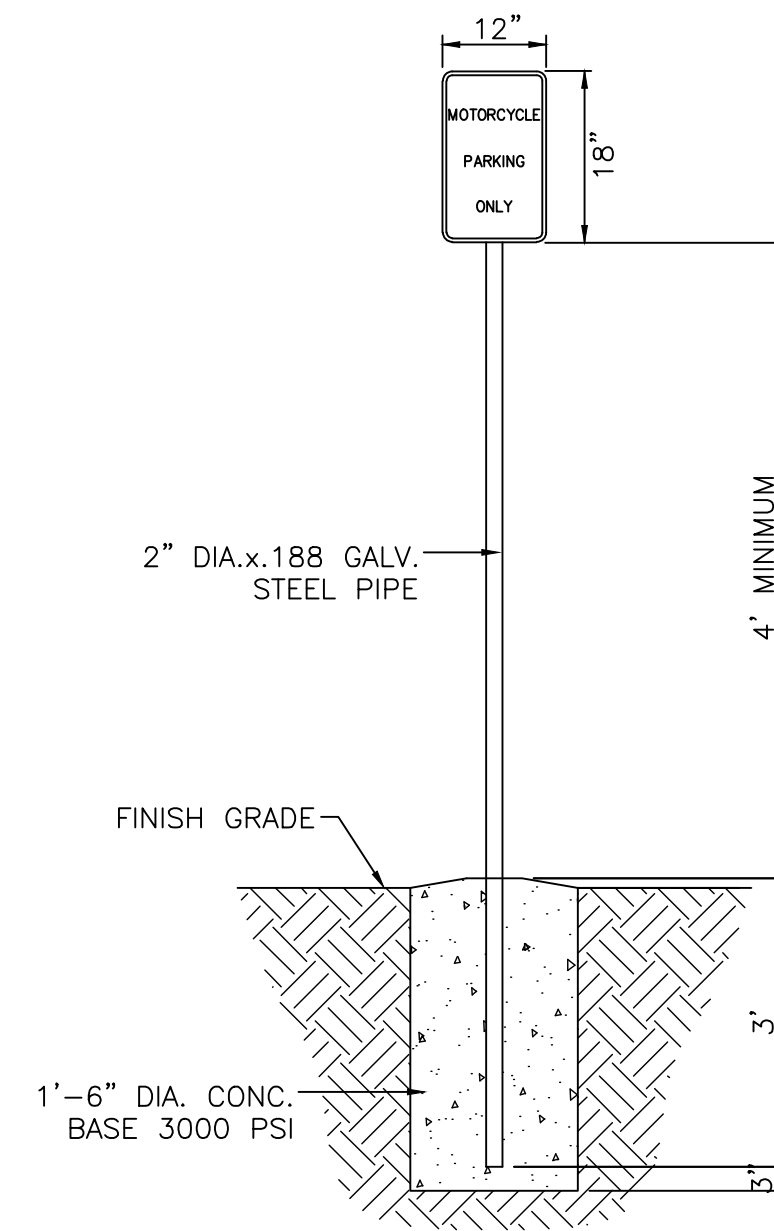


- Notes:
- 1 Finish: Powder Coated - Color per Architect to Complement Building
 - 2 Installation must be completed in accordance with specifications
 - 3 For more product and company information please visit www.urbanracks.com

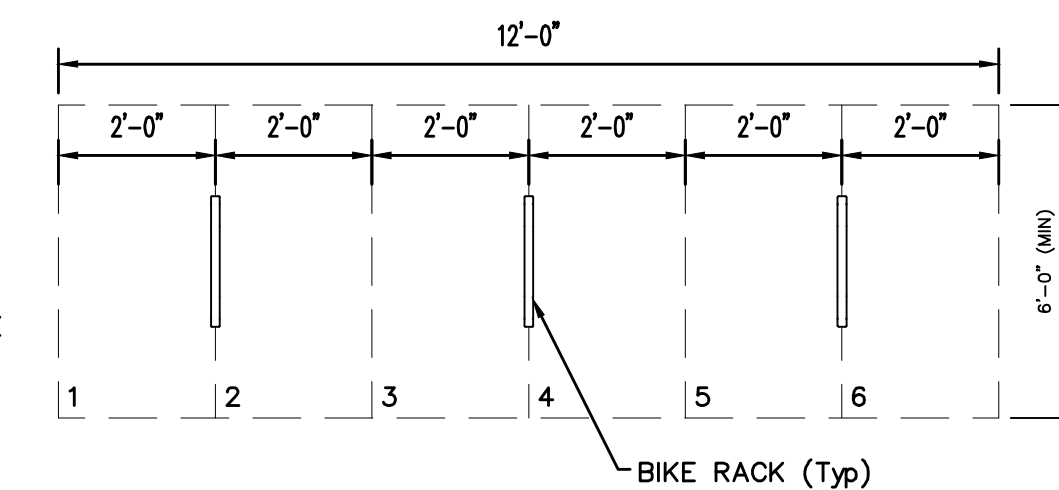
Urban Rack (UB-1000-STD)
NTS



H/C Sign Detail
NTS

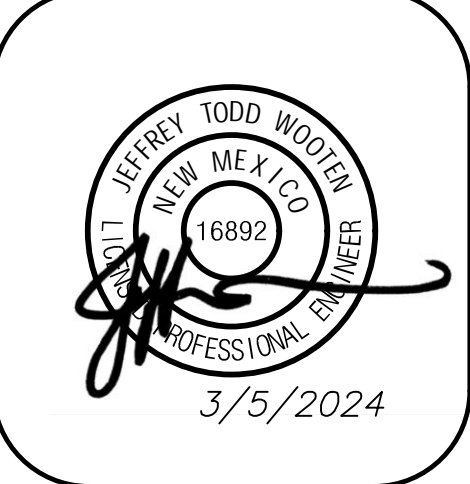


Motorcycle Parking Sign
NTS



PLAN VIEW

NO.	DATE	REMARKS	BY
		DESIGN	
DESIGNED BY: JW		DATE: Nov 1, 2023	
DRAWN BY: RG		DATE: Nov 1, 2023	
CHECKED BY: JW		DATE: Nov 1, 2023	



Wooten Engineering
PO Box 15814
Rio Rancho, N.M. 87174
Phone: (505) 980-3560

Route 66 Flats
7600 Central Ave SW
Albuquerque, NM 87121

Site Details

C-102