

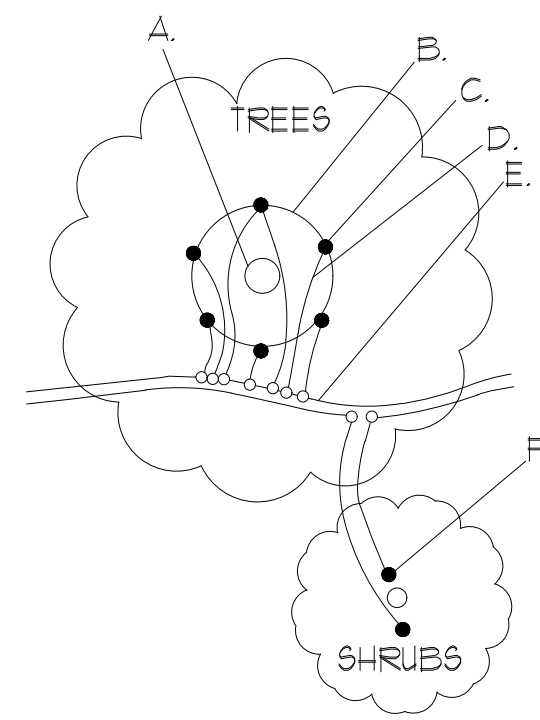
NOTE:
ATMOSPHERIC VACUUM BREAKERS SHOULD BE INSTALLED 6 - 12" ABOVE THE HIGHEST SPRINKLER HEAD WITHIN THE ZONE, OR, ACCORDING TO LOCAL CODE.

NOTES:

1. INSTALLATION TO BE COMPLETED IN ACCORDANCE WITH MANUFACTURER'S SPECIFICATIONS.
2. DO NOT SCALE DRAWINGS.
3. CONTRACTORS NOTE: FOR PRODUCT AND COMPANY INFORMATION VISIT www.CADdetails.com/info REFERENCE NUMBER 901-085n.

AVB VALVES-AVB W / SCH 80 NIPPLE RISERS

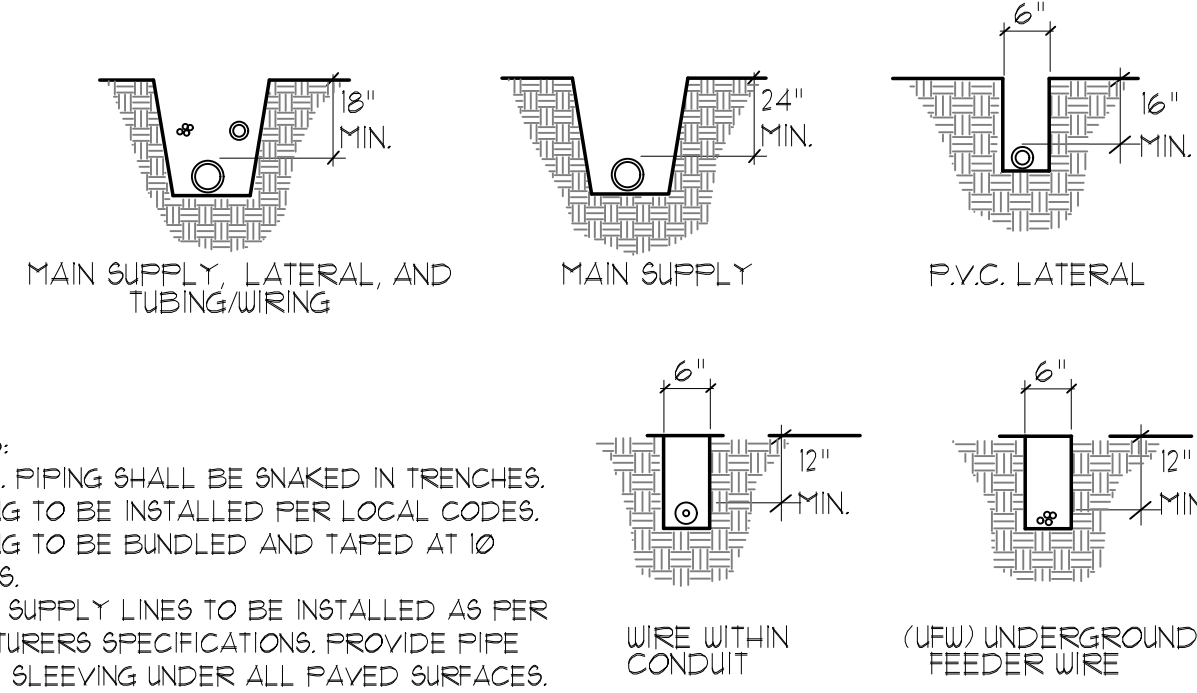
N.T.S.



- A. TREE TRUNK/ROOT CROWN
 - B. 24" CIRCLE FROM TRUNK
 - C. EMITTERS
 - D. 1/8" DISTRIBUTION LINE
 - E. PE DRIPLINE
 - F. EMITTER PLACED WITHIN 6" OF PLANT STEM
- NOTE:** PLACE EMITTER ABOVE PLANT ON SLOPE

EMITTER PLACEMENT DETAIL

N.T.S.

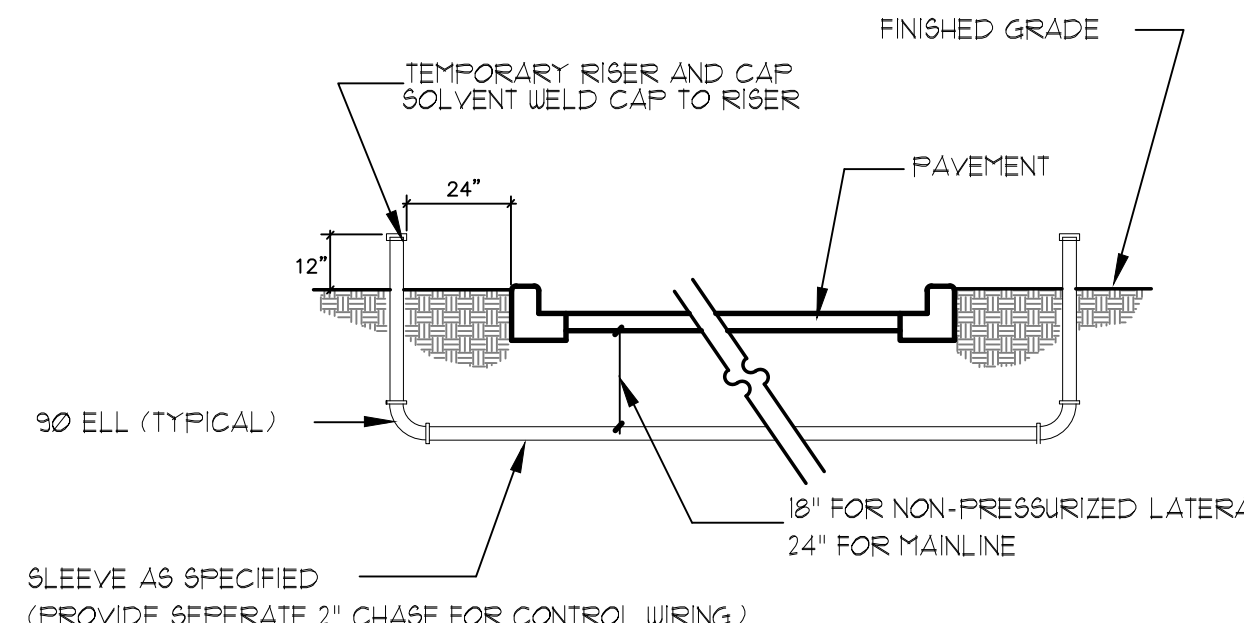


DETAIL NOTES:

1. ALL P.V.C. PIPING SHALL BE SNAKED IN TRENCHES.
2. ALL WIRING TO BE INSTALLED PER LOCAL CODES.
3. ALL WIRING TO BE BUNDLED AND TAPED AT 10' INTERVALS.
4. ALL MAIN SUPPLY LINES TO BE INSTALLED AS PER MANUFACTURER'S SPECIFICATIONS. PROVIDE PIPE AND WIRE SLEEVING UNDER ALL PAVED SURFACES.
5. WIRE SHALL BE WITHIN SEPARATE 2" ELECTRICAL CHASE CHASE.

TRENCHING DETAIL

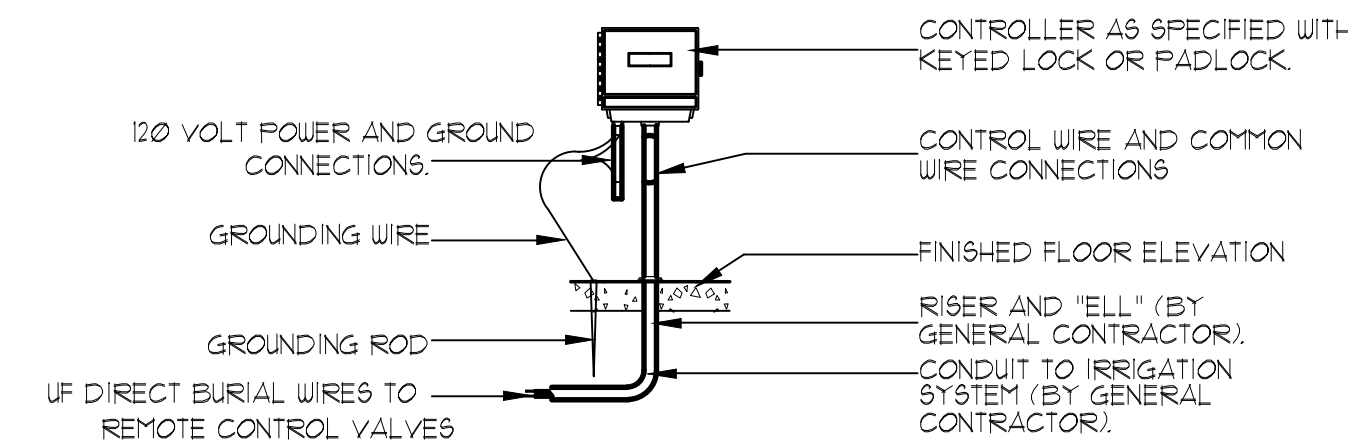
N.T.S.



SLEEVE AS SPECIFIED (PROVIDE SEPERATE 2" CHASE FOR CONTROL WIRING.)

SLEEVE INSTALLATION DETAIL

N.T.S.

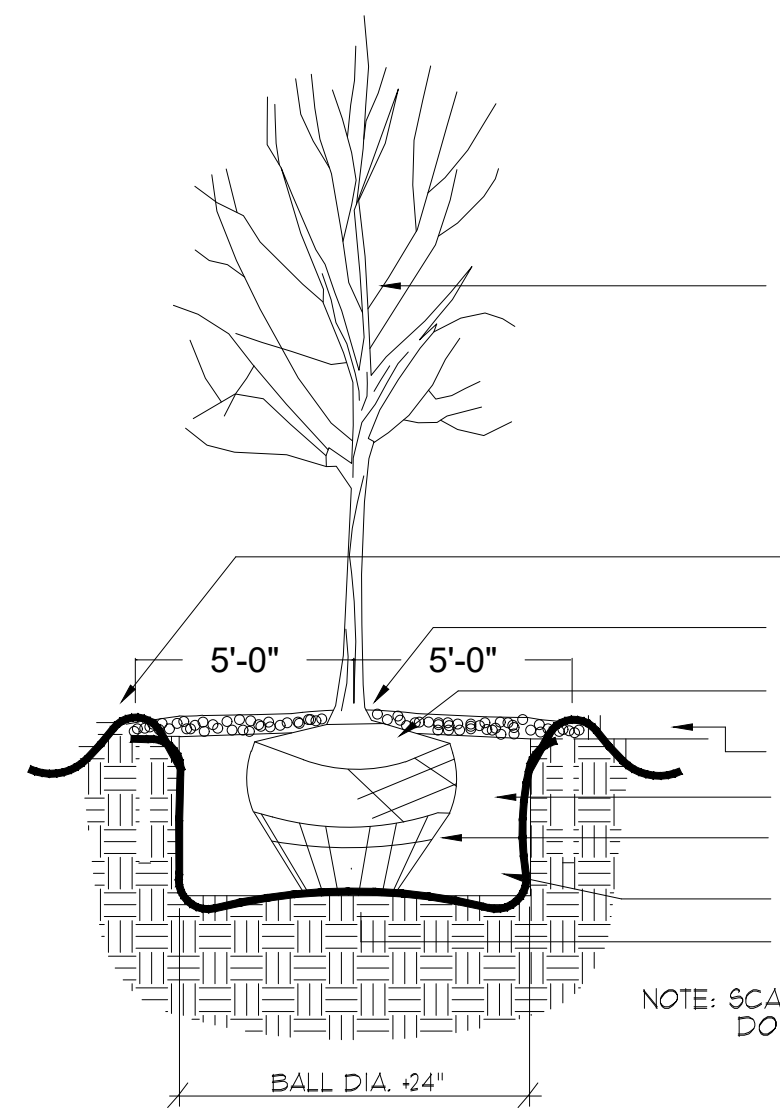


DETAIL NOTES:

1. ELECTRICAL POWER TO BE SUPPLIED BY OTHERS.
2. ALL WIRING TO BE INSTALLED PER LOCAL CODES.
3. SEE ELECTRICAL PLANS FOR LOCATION OF CONTROLLER.
4. CONTROLLER TO BE MOUNTED APPROXIMATELY 5'-0" ABOVE FINISHED FLOOR ELEVATION.

CONTROLLER DETAIL

N.T.S.



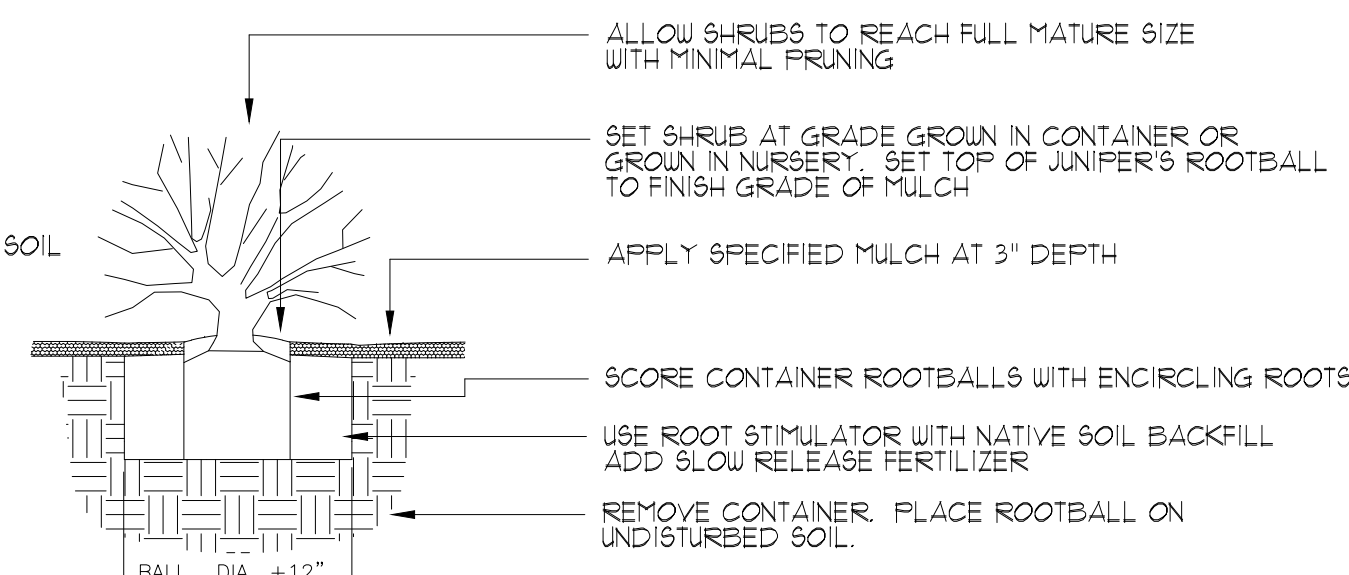
DO NOT CUT LEADER. PRUNE DAMAGED OR DEAD WOOD AFTER PLANTING AND STAKING. KEEP CROWN SHAPE TYPICAL OF SPECIES.

- PLANTINGS TO BE PLANTED WITHIN BERMED SAUCERS, (CONTINUOUS) TO MITIGATE WATER RUNOFF.
- 4" DEPTH WOOD MULCH TO EDGE OF SAUCER 10' DIA. RING.
- PLANT TREE 2-4" ABOVE SURROUNDING GRADE LEVEL ON UNDISTURBED SOIL. SET TRUNK PLUMB.
- WATER SAUCER TO BE 25' FROM TRUNK OF DECIDUOUS TREES.
- ADD ROOT STIMULATOR TO NATIVE BACKFILL.
- REMOVE ALL TWINE AND WIRE FROM BALL.
- REMOVE WIRE BASKETS.
- INITIAL STABILIZING BACKFILL 1/3 DEPTH, COMPACTED.
- UNDISTURBED PIT BOTTOM FOR ROOTBALL BASE.

NOTE: SCARIFY SIDES OF PLANTING PIT TO LOOSEN SOIL. DO NOT INSTALL TREES WITH PLANTING PIT SIDES GLAZED.

TREE PLANTING DETAIL

N.T.S.



ALLOW SHRUBS TO REACH FULL MATURE SIZE WITH MINIMAL PRUNING

SET SHRUB AT GRADE GROWN IN CONTAINER OR GROWN IN NURSERY. SET TOP OF JUNIPER'S ROOTBALL TO FINISH GRADE OF MULCH

APPLY SPECIFIED MULCH AT 3" DEPTH

SCORE CONTAINER ROOTBALLS WITH ENCIRCLING ROOTS

USE ROOT STIMULATOR WITH NATIVE SOIL BACKFILL. ADD SLOW RELEASE FERTILIZER

REMOVE CONTAINER. PLACE ROOTBALL ON UNDISTURBED SOIL.

NOTE: SCARIFY SIDES OF PLANTING PIT TO LOOSEN SOIL. DO NOT INSTALL SHRUBS WITH PLANTING PIT SIDES GLAZED.

SHRUB PLANTING DETAIL

N.T.S.

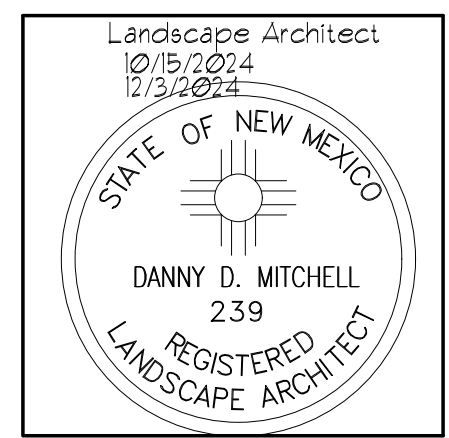


danny@mitchellassociatesinc.com

505.639.9583

REV	DATE	BY	REVISION

MODULUS ARCHITECTS AND LAND USE PLANNING
 8220 SAN PEDRO DR NE SUITE 520
 ALBUQUERQUE, NEW MEXICO 87113
 PHONE (505) 338-1499 FAX (505) 338-7498



PROJECT TITLE COTTONWOOD STORAGE	PROJECT MANAGER SEVEN BAR LP NW ALBUQUERQUE 87114	JOB NO. Project Number 2024-071	DRAWN BY: EY APPROVED BY: DYT
SHEET TITLE LANDSCAPE DETAIL		DATE 10/15/2024	
SCALE:		SHEET LS-103	