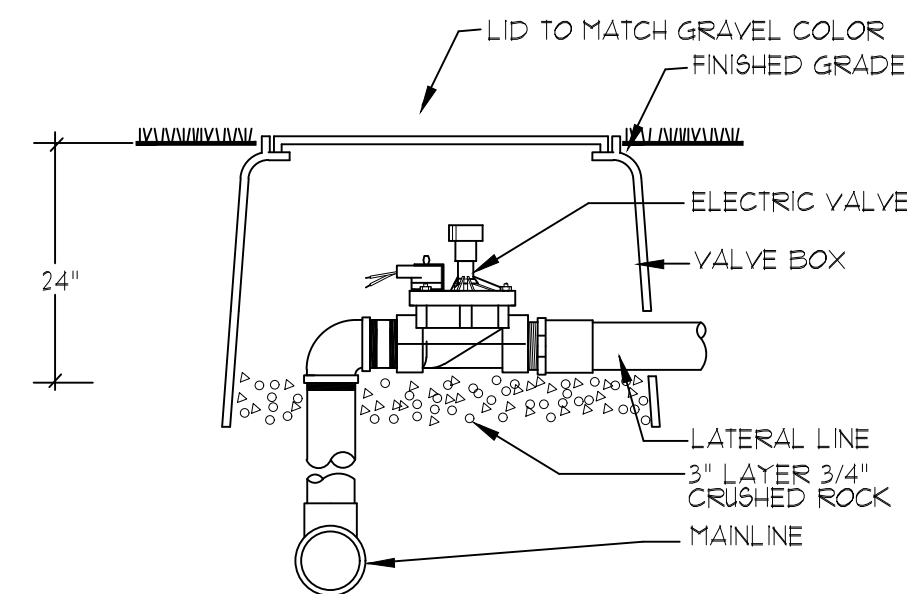


Reduced Pressure Assembly  
Outdoor Freeze Protection Installation

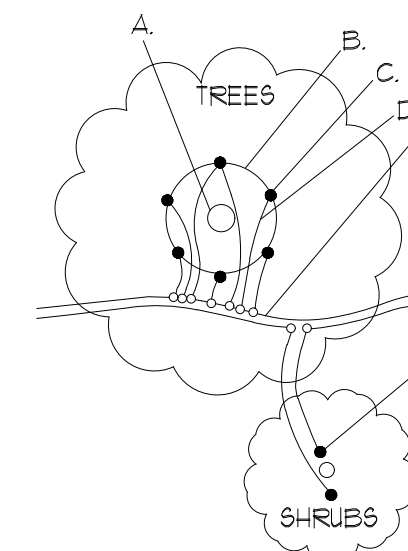
**RPA, HOTBOX TYP.**

N.T.S.



**ELECTRIC VALVE ASSEMBLY**

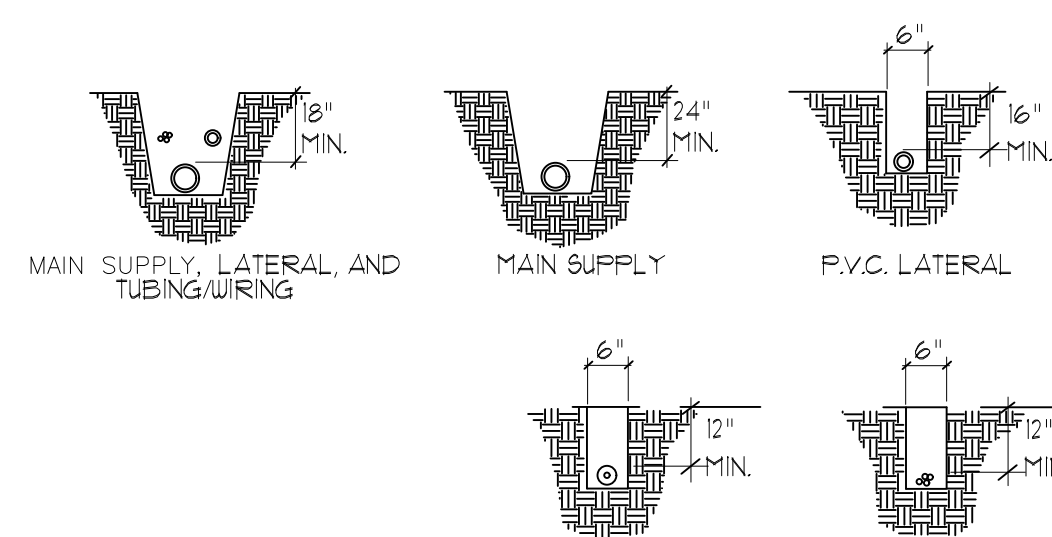
N.T.S.



- A. TREE TRUNK/ROOT CROWN
  - B. 24" GIRDLE FROM TRUNK
  - C. EMITTERS
  - D. 1/8" DISTRIBUTION LINE
  - E. PE DRIFLINE
  - F. EMITTER PLACED WITHIN 6" OF PLANT STEM
- NOTE: PLACE EMITTER ABOVE PLANT ON SLOPE

**EMITTER PLACEMENT DETAIL**

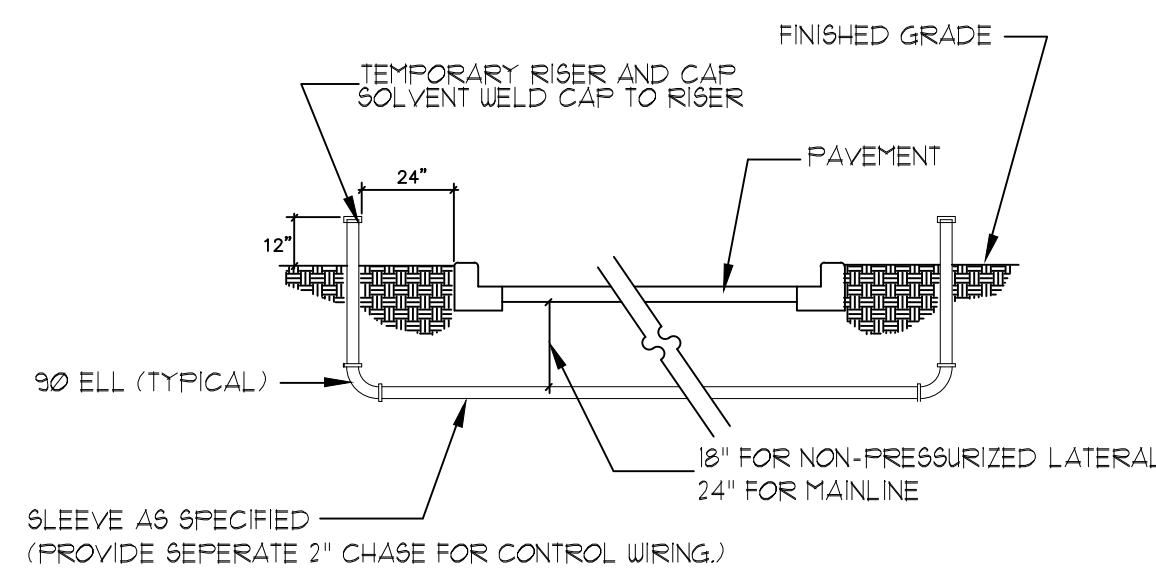
N.T.S.



- DETAIL NOTES:
1. ALL PVC PIPING SHALL BE ENCASED IN TRENCHES
  2. ALL WIRING TO BE INSTALLED PER LOCAL CODES
  3. ALL WIRING TO BE BUNDLED AND TYPED AT 18" INTERVALS
  4. ALL MAIN SUPPLY LINES TO BE INSTALLED AS PER MANUFACTURER'S SPECIFICATIONS
  5. PROVIDE PIPE AND WIRE SLEEVES UNDER ALL PAVED SURFACES
  6. WIRE SHALL BE WITHIN SEPARATE 2" ELECTRICAL CHASE

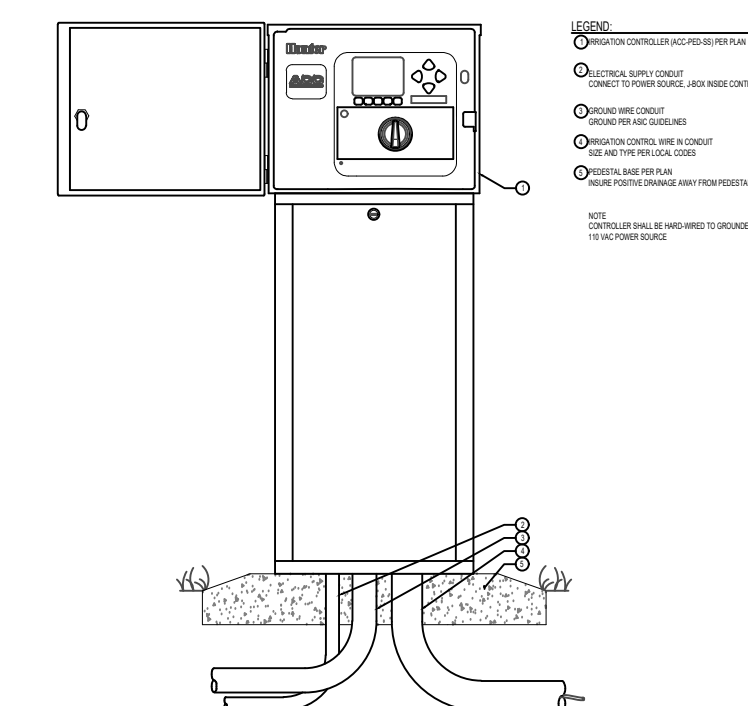
**TRENCHING DETAIL**

N.T.S.

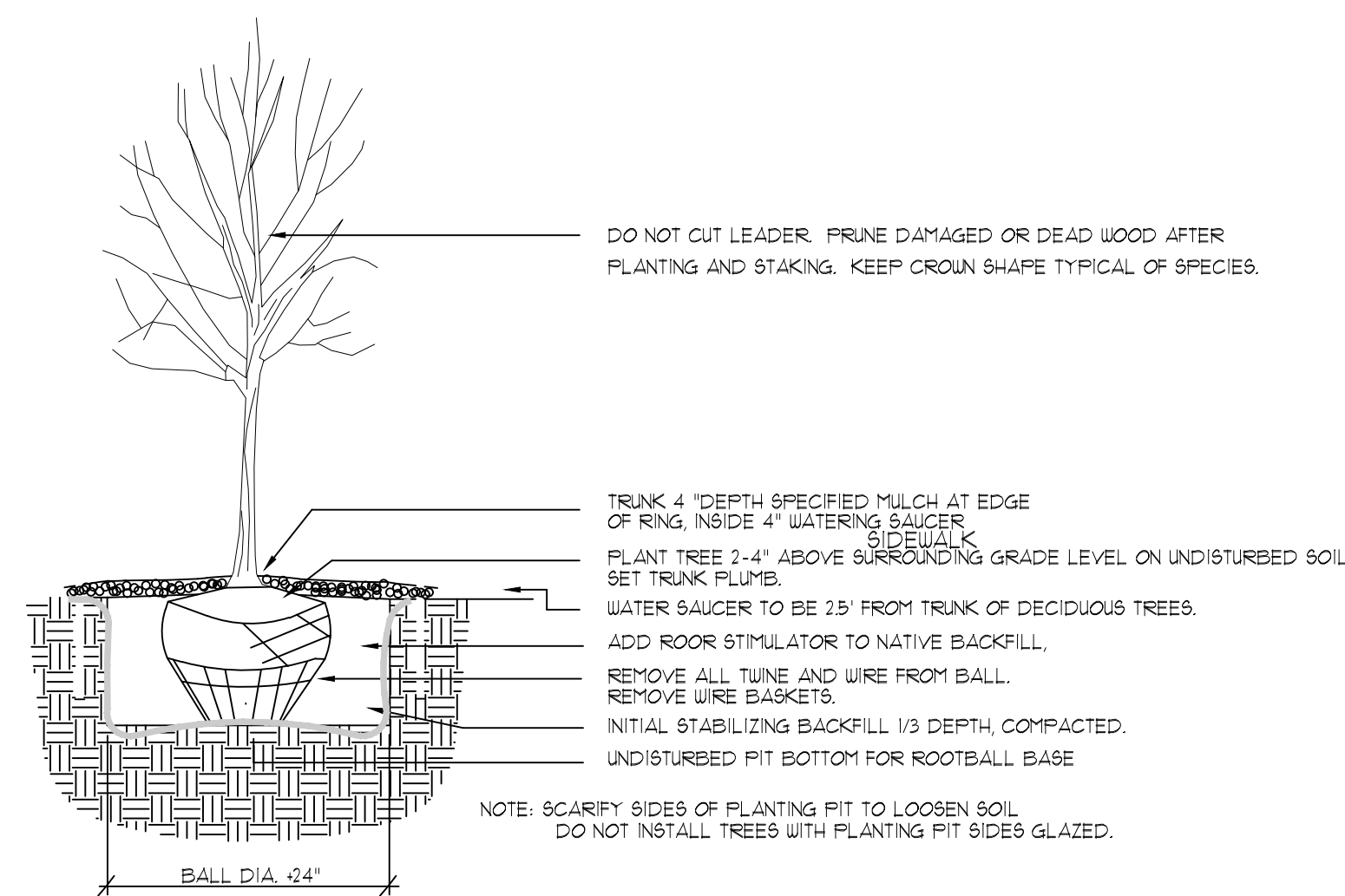


**SLEEVE INSTALLATION DETAIL**

N.T.S.

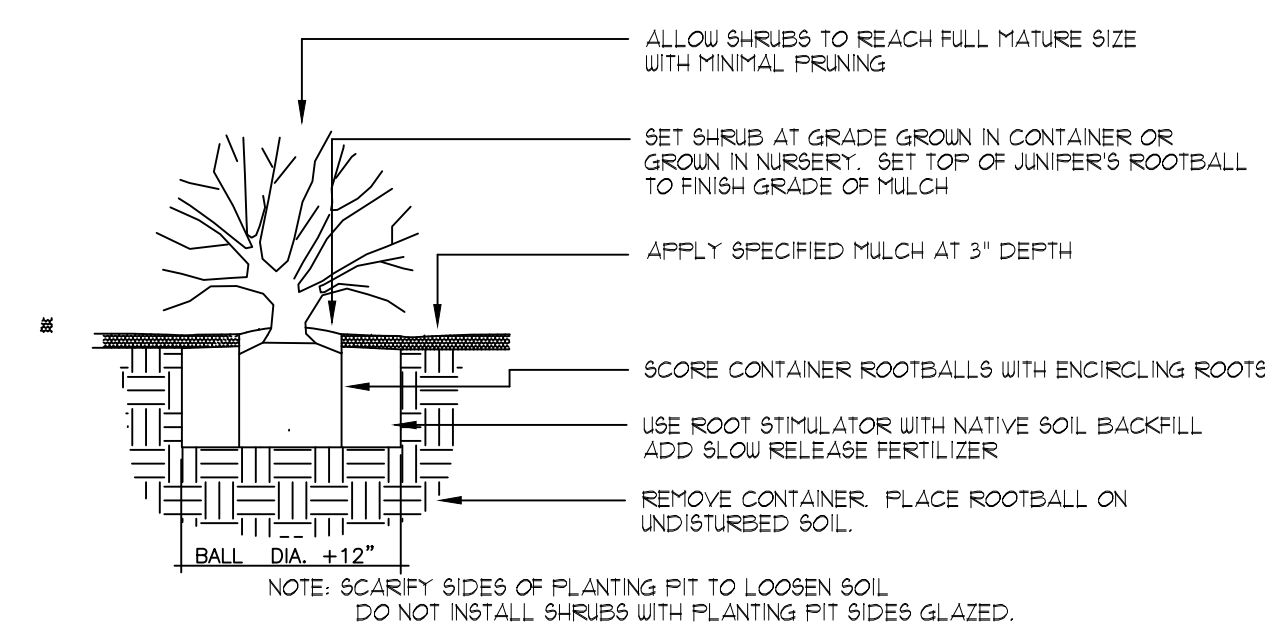


**ACC - PEDESTAL MOUNT STAINLESS STEEL**  
C.ACC.05 NOT TO SCALE



**TREE PLANTING DETAIL**

N.T.S.



**SHRUB PLANTING DETAIL**

N.T.S.

Mitchell Associates, inc  
Landscape Architecture  
Danny Mitchell

danny@mitchellassociatesinc.com 505.639.9583

Landscape Architect



**Afra Construction & Design**

2501 Yale Blvd Suite 102  
Albuquerque, New Mexico 87106  
Tel 505.242.1745  
Fax 505.242-1737

**Paradise RV Park**

Avalon Rd/ Leonidas Ln, NW  
Albuquerque, NM 87120

REV	DATE	DESCRIPTION	APVD
1			
2			
3			
4			

Detail Sheet

LS-103