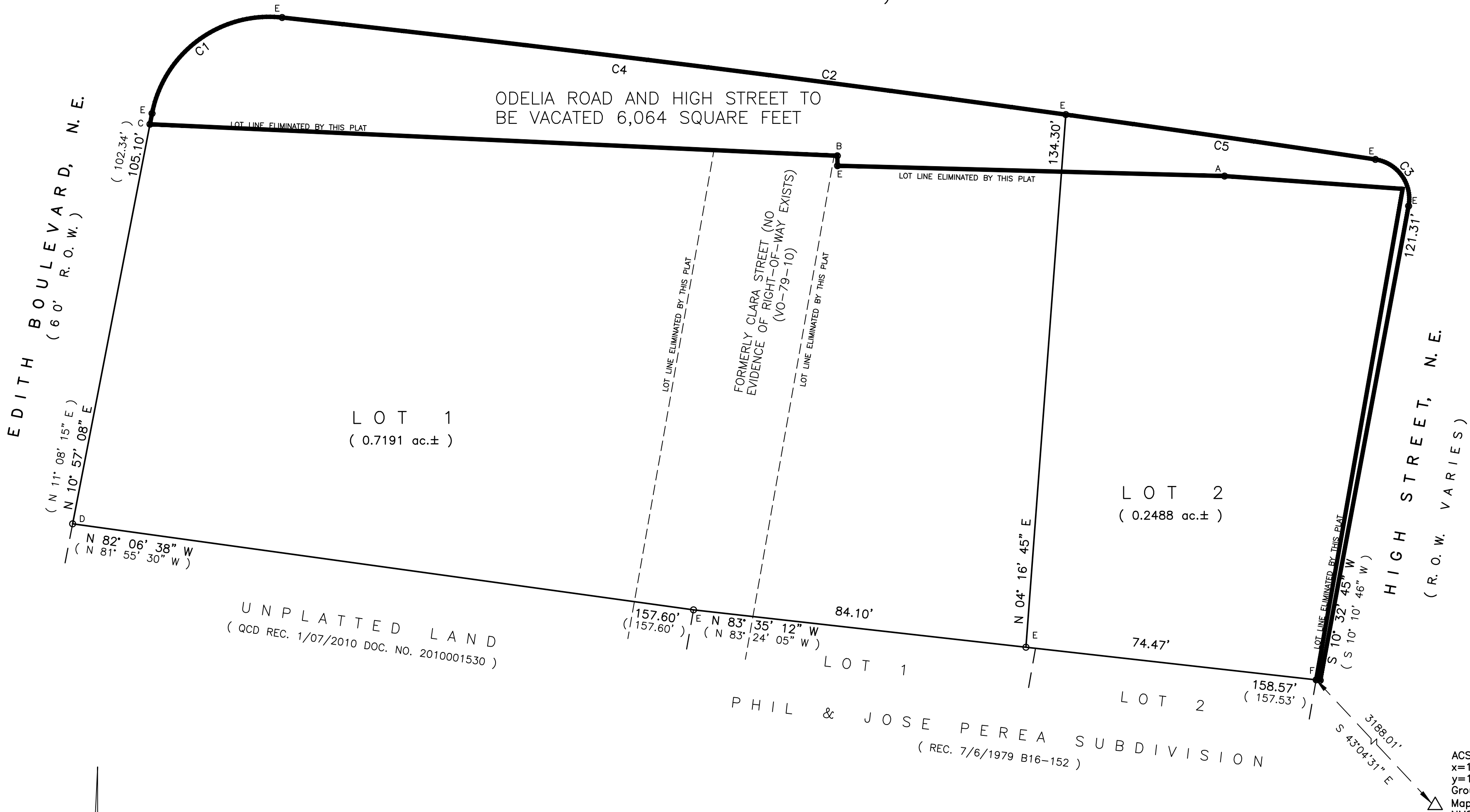


VACATION EXHIBIT
ODELIA ROAD AND HIGH STREET

PLAT OF
LOTS 1 AND 2, LANDS OF COOK
WITHIN PROJECTED SECTION 16, T. 10 N., R. 3 E., N.M.P.M.
WITHIN THE TOWN OF ALBUQUERQUE GRANT
ALBUQUERQUE, BERNALILLO COUNTY, NEW MEXICO
MARCH 2025

COUNTY CLERK RECORDING LABEL HERE

ODELIA ROAD, N. E.
(R. O. W. VARIES)

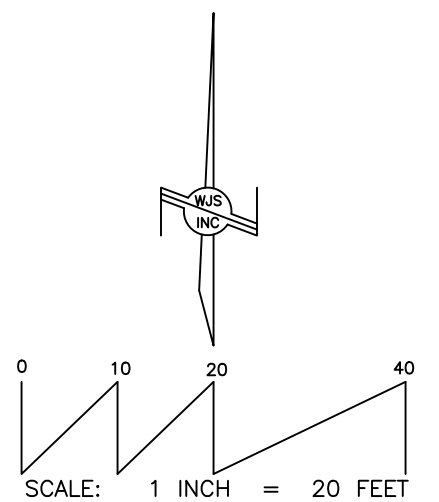


UNPLATTED LAND
(QCD REC. 1/07/2010 DOC. NO. 2010001530)

PHIL & JOSE PEREA SUBDIVISION
(REC. 7/6/1979 B16-152)

ACS MONUMENT "9-J15"
x=1,526,869.928 US SURVEY FEET
y=1,489,021.809 US SURVEY FEET
Ground-to-grid: 0.999675053
Mapping Angle: -00°13'05.60"
NMSP CENTRAL ZONE NAD 83

CURVE TABLE					
CURVE	RADIUS	LENGTH	DELTA	CHORD BEARING	CHORD
C1	30.00'	44.65'	85° 15' 59"	N 53° 35' 08" E	40.64'
C2	6746.88'	277.18'	02° 21' 14"	S 82° 36' 16" E	277.16'
C3	10.00'	16.05'	91° 58' 24"	S 35° 26' 27" E	14.38'
C4	6746.88'	198.55'	01° 41' 10"	S 82° 56' 18" E	198.54'
C5	6746.88'	78.63'	00° 40' 04"	S 81° 45' 41" E	78.63'



MONUMENT LEGEND:
○ = FOUND/SET MONUMENT AS NOTED:
A: FOUND #4 REBAR AND CAP "LS 12651"
B: FOUND HIGHWAY R.O.W. MARKER
C: FOUND "+" IN CONCRETE
D: FOUND NAIL AND DISK (ILLEGIBLE)
E: SET #4 REBAR AND CAP "WAYJOHN PS 14269"
F: FOUND TAG ON FENCE "LS 11463"

	1609 2nd STREET NW ALBUQUERQUE, N.M. 87102 PHONE: (505) 255-2052 FAX: (505) 255-2887		
INDEXING INFORMATION FOR COUNTY CLERK OWNER: CCOOK CHRISTINA CHAVEZ TRUSTEE COOK RVT UPC: 101505803941120602 101505805641120608 LOCATION: SECTION 16, T10N, R3E	DRAWN: P A M CHECKED: T D J DRAWING NO. SP110224.DWG	SCALE: 1" = 20' 21 APR 2026	FILE NO. SP-11-02-2024 EXHIBIT