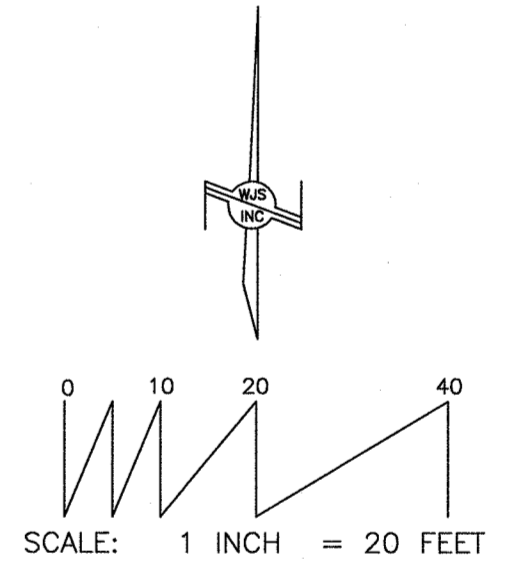
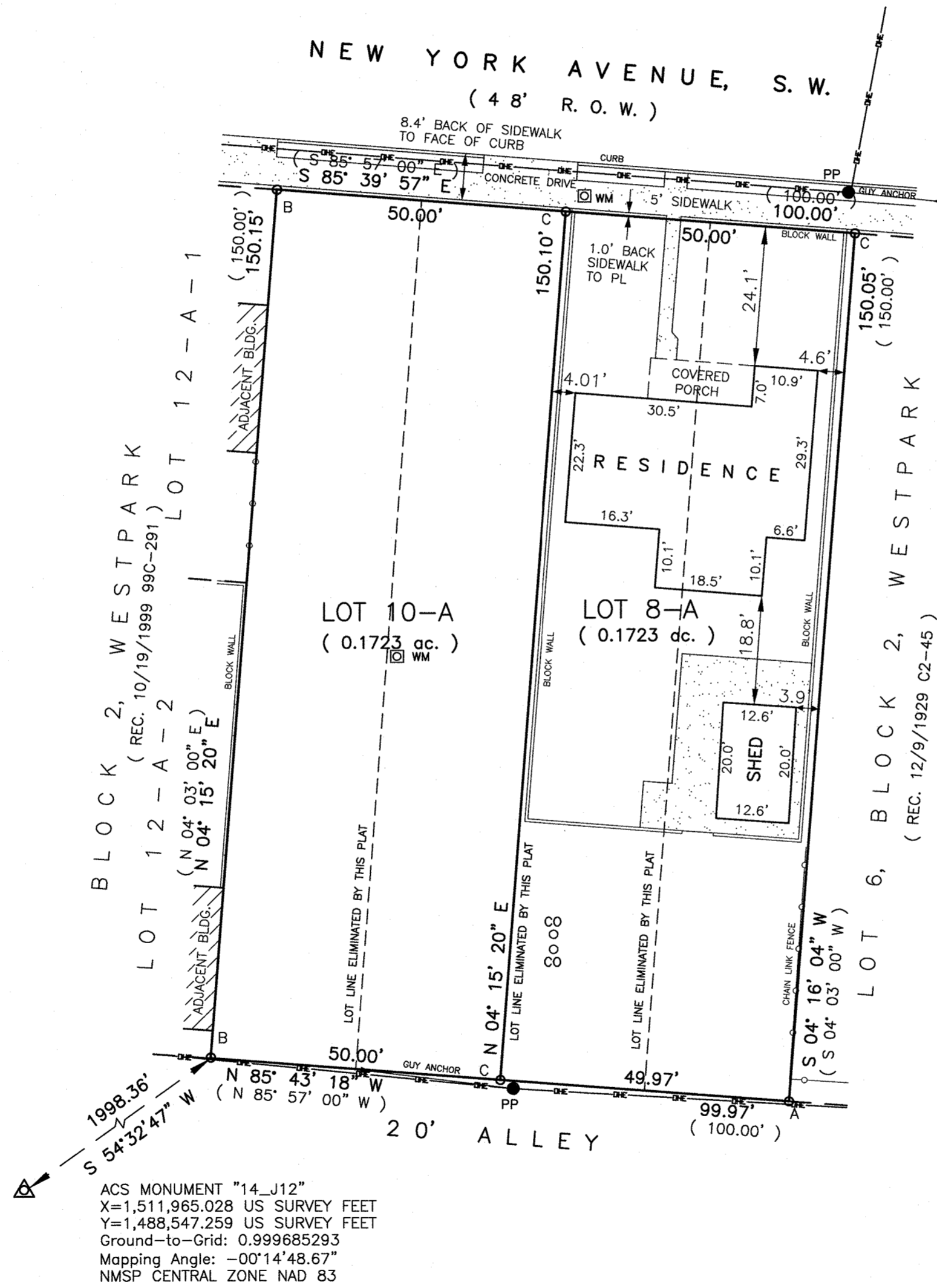


PLAT OF
**LOTS 8-A AND 10-A, BLOCK 2
 WESTPARK**
 WITHIN PROJECTED SECTION 18, T. 10 N., R. 3 E., N.M.P.M.
 WITHIN THE TOWN OF ALBUQUERQUE GRANT
 ALBUQUERQUE, BERNALILLO COUNTY, NEW MEXICO
 JANUARY 2026

COUNTY CLERK RECORDING LABEL HERE

EXISTING CONDITIONS



○ FOUND/SET MONUMENT LEGEND:
 A: FOUND #4 REBAR WITH CAP "PS 7923"
 B: FOUND #4 REBAR - ILLEGIBLE CAP
 C: SET #4 REBAR AND CAP "WAYJOHN PS 14269"

	WAYJOHN SURVEYING INC 1609 2nd STREET NW ALBUQUERQUE, N.M. 87102 PHONE: (505) 255-2052 FAX: (505) 255-2887	
INDEXING INFORMATION FOR COUNTY CLERK OWNER: MARTINEZ LINDA M & MARTINEZ JESS R UPC: 1 013 058 026 244 31210 LOCATION: SECTION 18, T10N, R3E SUBDIVISION: WESTPARK	DRAWN: P A M CHECKED: T D J DRAWING NO. SP70124.DWG	SCALE: 1" = 20' FILE NO. SP-7-01-2024 EXHIBIT