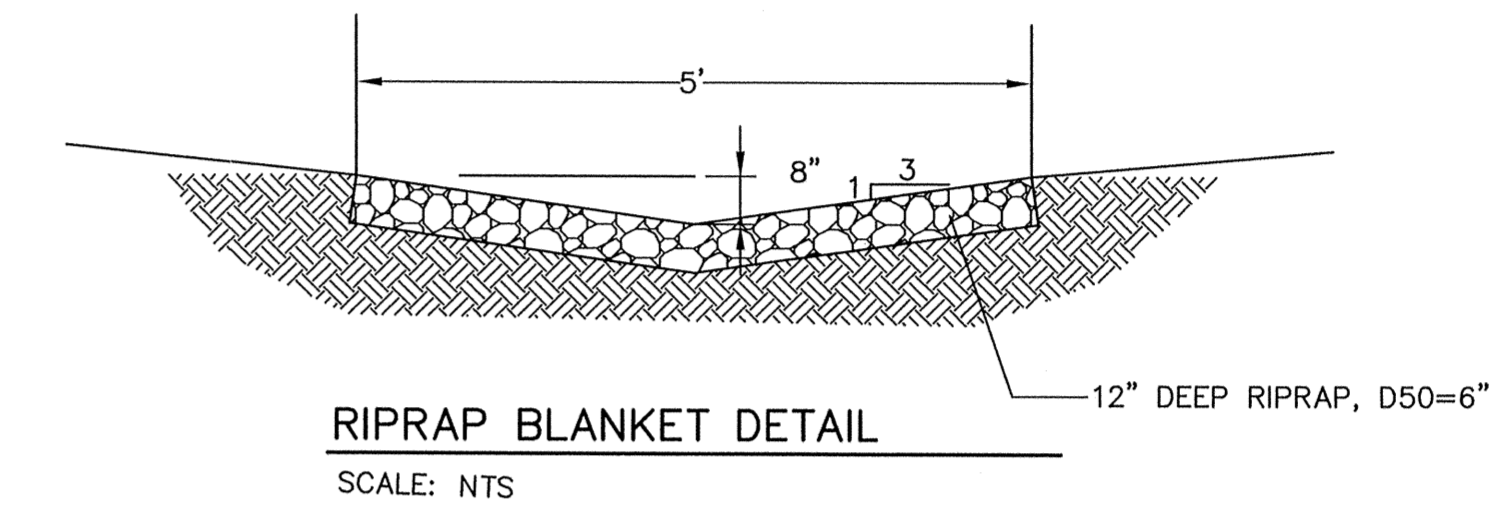


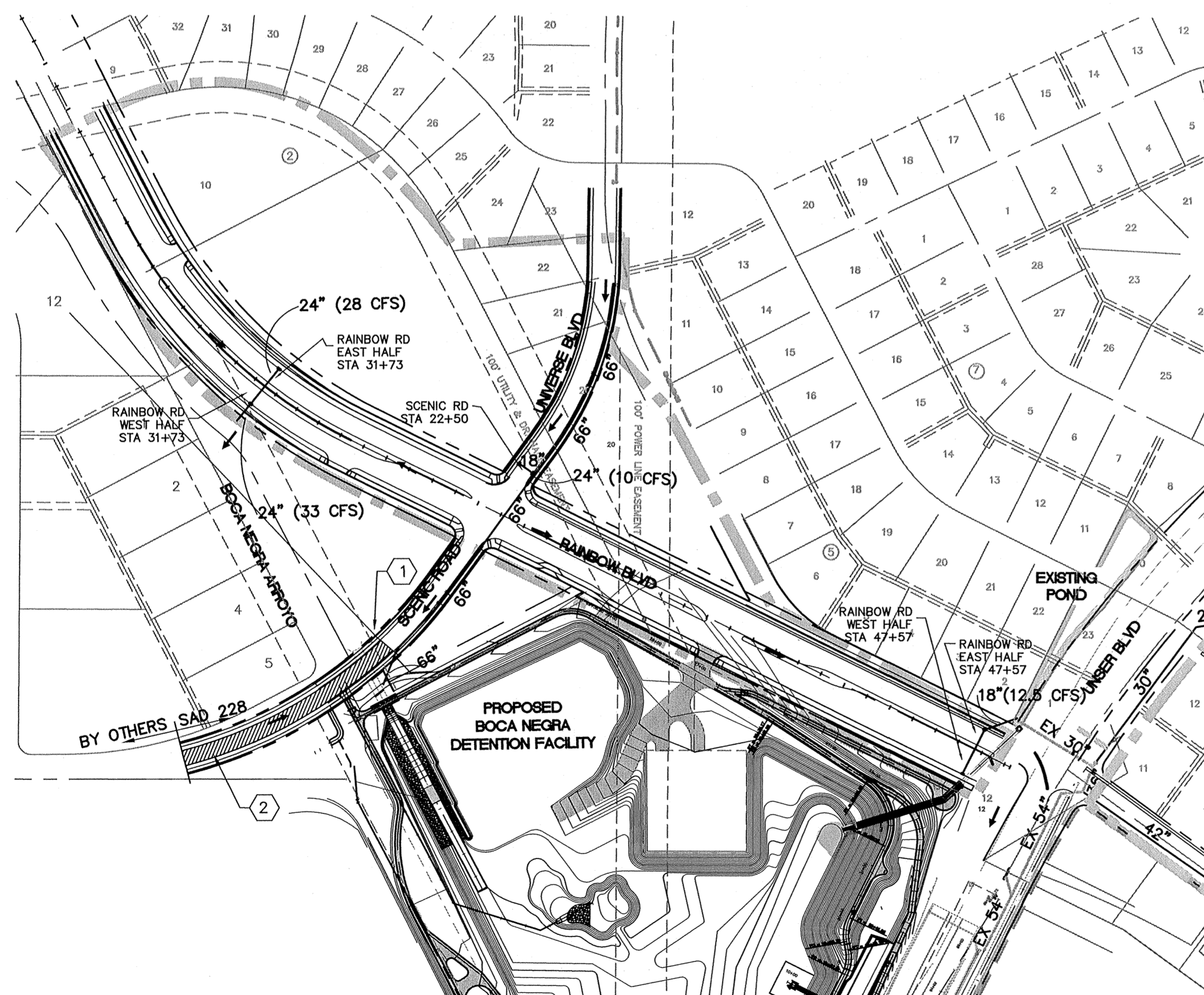
UNIT 26 & 27

**SHEET KEYNOTES**

1. BEGIN TEMPORARY PAVEMENT.
2. INSTALL 24' WIDE 3" TEMPORARY ASPHALT CONCRETE PAVEMENT. SEE DETAIL THIS SHEET.
3. EXISTING NATURAL POND.
4. INSTALL 14'W X 20'L X 12"D, D50=6" RIPRAP BLANKET. SEE DETAIL THIS SHEET.



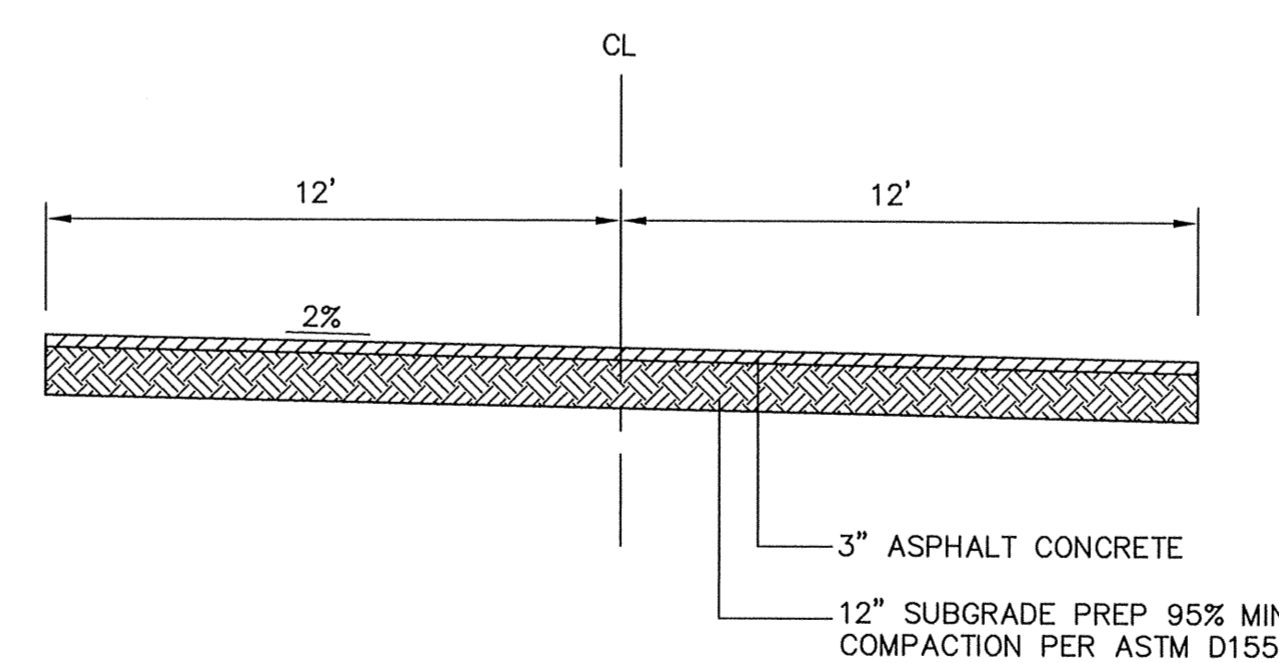
RIPRAP BLANKET DETAIL  
SCALE: NTS



UNIT 14 & 25

STREET HYDRAULIC DATA							
STREET NAME	STATION	SLOPE %	FLOW (CFS)			INLETS (EACH)	DEPTH
			TOTAL	CAPTURED	BYPASS		
PASEO DEL NORTE SD							
PASEO DEL NORTE SD	FUTURE FLOWS		138	138			
	80+90'	0.71	15	5	10	1	0.46
	95+50	1.80	25	25	0	PILLBOX MH	N/A
	101+50	2.52	23	17	0	2	0.41
	101+72	2.52	15	15	0	PILLBOX MH	N/A
	105+00	6.00	0	6	0	2	0.25
CALLE NORTENA	19+00	4.28	9	9	0	2	0.28
			225	215			
RAINBOW BLVD							
RAINBOW BLVD	31+73 EAST	0.83	28	28	0	1	0.56
	31+73 WEST	0.83	5	5	0	1	0.29
	47+57 EAST	2.78	13	8	5	1	0.33
	47+57 WEST	2.78	6	4.5	1.5	1	0.24
SCENIC RD							
SCENIC RD	22+50	1.67	12	9	3	2	0.24

\* UPSTREAM FUTURE INLETS WILL BE REQUIRED



TEMPORARY PAVEMENT SECTION  
SCALE: NTS

**LEGEND**

- TEMPORARY PAVEMENT
- FLOW DIRECTION
- SAD 228 BOUNDARY

SCALE: 1" = 200'

**WILSON & COMPANY**  
4900 LANG AVE. NE  
ALBUQUERQUE, NM 871109  
(505) 348-4000

CITY OF ALBUQUERQUE  
PUBLIC WORKS DEPARTMENT  
ENGINEERING GROUP

SAD 228  
DRAINAGE REPORT

OVERALL STORM DRAIN PLAN  
UNIT 14, 25, 26 & 27

PLATE 5