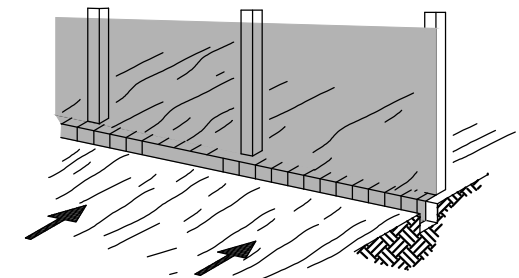
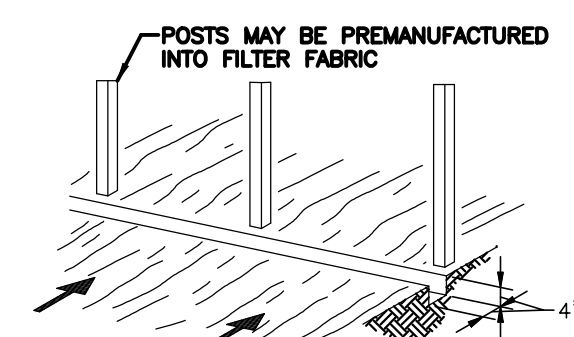


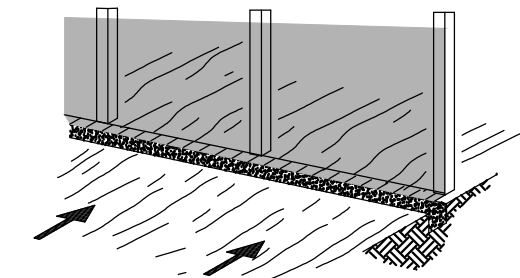
EXTENSION OF FABRIC INTO TRENCH



2. ATTACH THE FILTER FABRIC TO POSTS AND EXTEND IT INTO THE TRENCH.

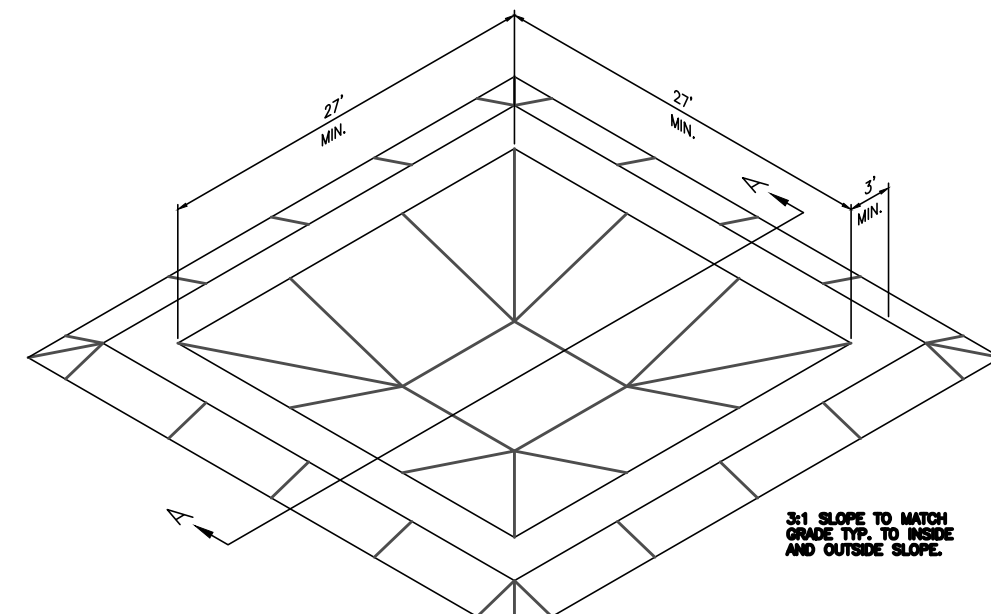


1. SET POSTS & EXCAVATE A 4"x4" TRENCH UPSLOPE ALONG THE LINE OF POSTS.

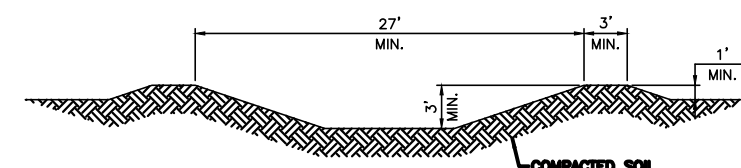


3. BACKFILL AND COMPACT THE EXCAVATED SOIL.

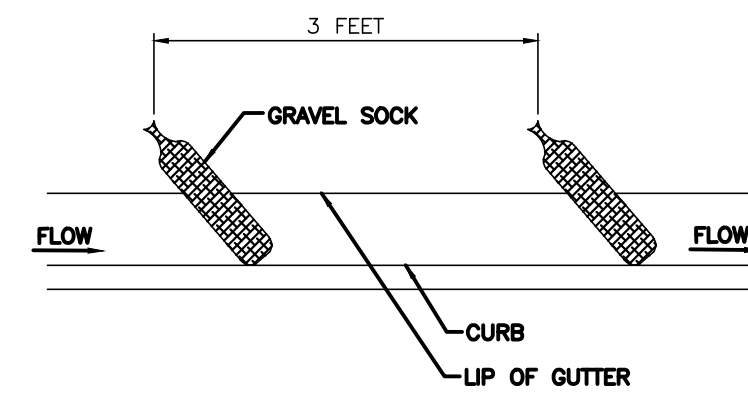
SILT FENCE DETAILS NOT TO SCALE (SF)



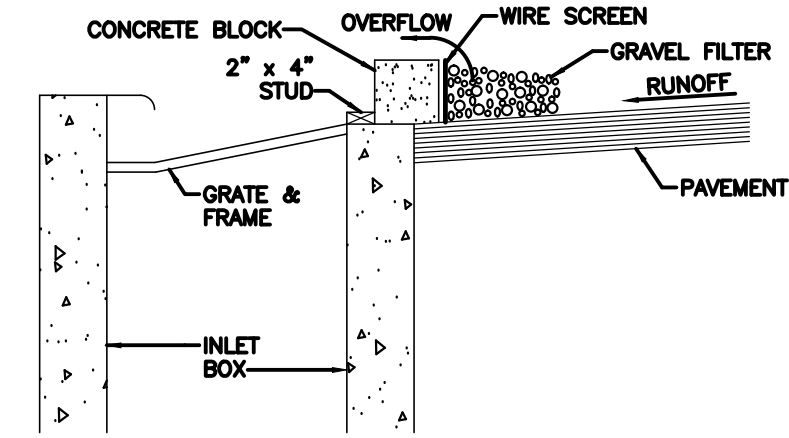
3:1 SLOPE TO MATCH DRIVE TYP. TO INSIDE AND OUTSIDE SLOPE.



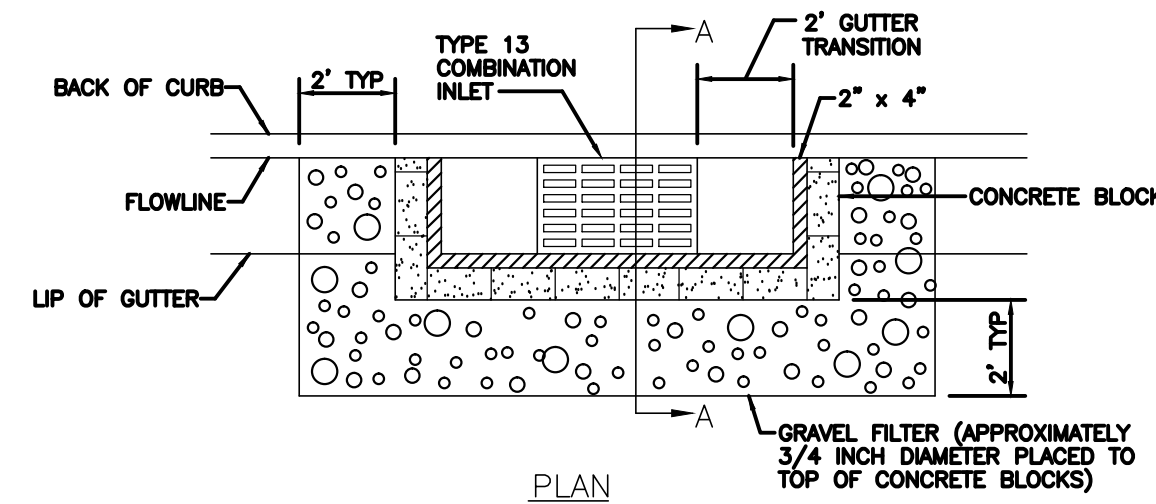
1 CONCRETE WASHOUT CONTAINMENT DETAIL SCALE: 1/8" = 1'-0"



GRAVEL SOCK CURB PROTECTION NOT TO SCALE (RS)

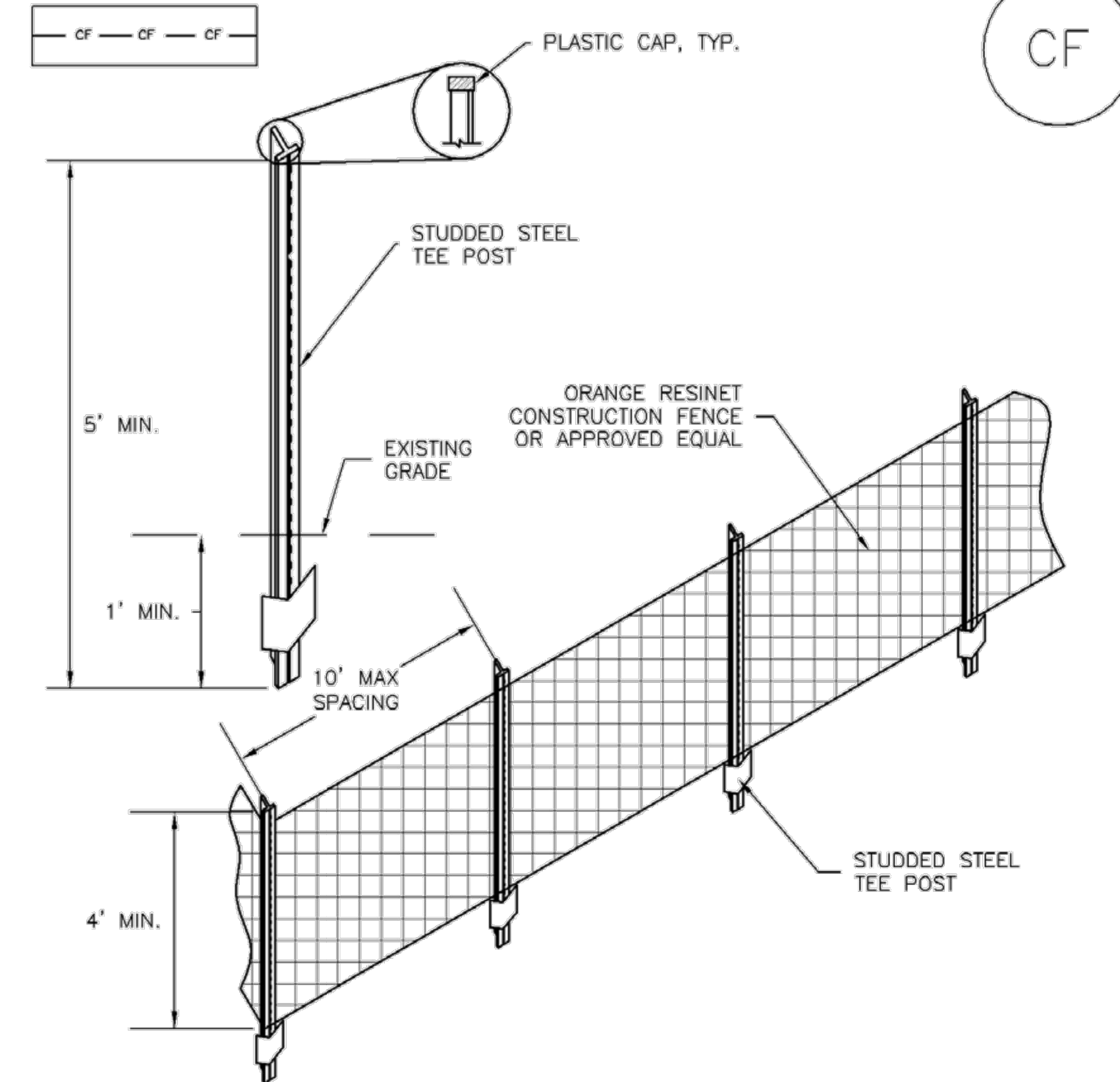


SECTION A



PLAN

CURB INLET PROTECTION NOT TO SCALE (CP)



CF-1. PLASTIC MESH CONSTRUCTION FENCE

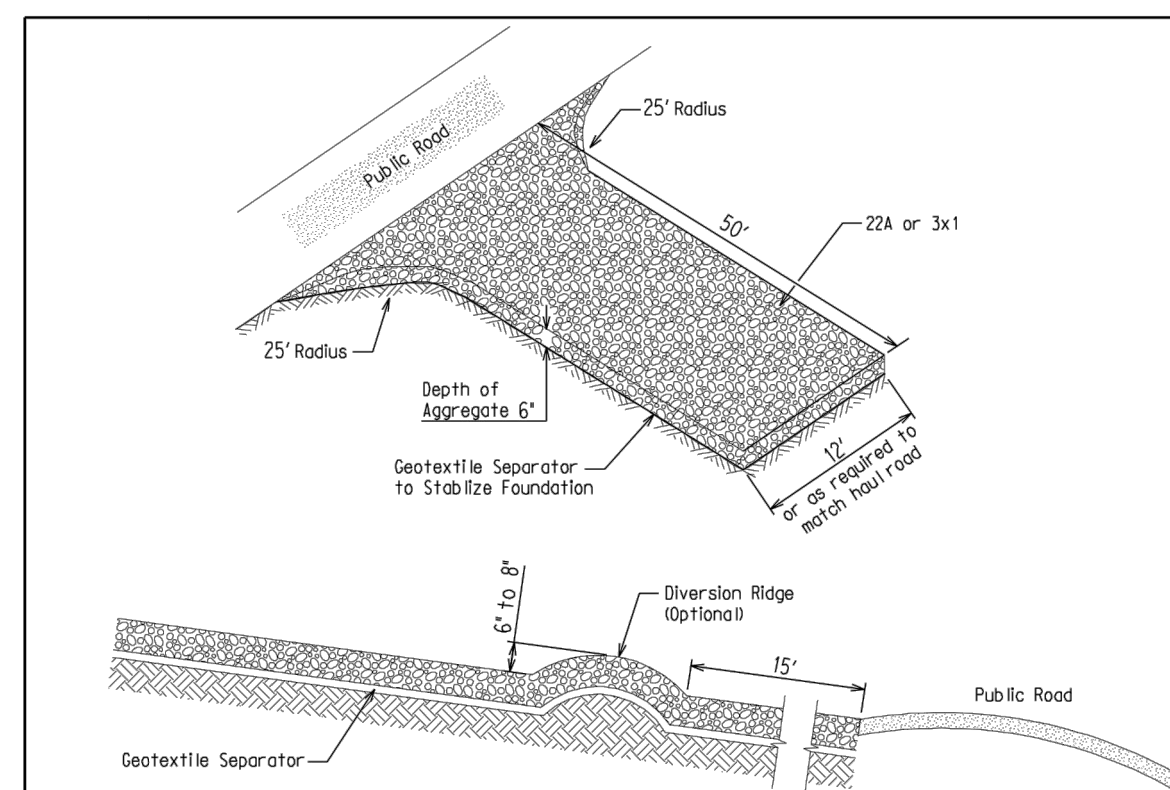
CONSTRUCTION FENCE INSTALLATION NOTES

1. SEE PLAN VIEW FOR: -LOCATION OF CONSTRUCTION FENCE.
2. CONSTRUCTION FENCE SHOWN SHALL BE INSTALLED PRIOR TO ANY LAND DISTURBING ACTIVITIES.
3. CONSTRUCTION FENCE SHALL BE COMPOSED OF ORANGE, CONTRACTOR-GRADE MATERIAL THAT IS AT LEAST 4' HIGH. METAL POSTS SHOULD HAVE A PLASTIC CAP FOR SAFETY.
4. STUDDED STEEL TEE POSTS SHALL BE UTILIZED TO SUPPORT THE CONSTRUCTION FENCE. MAXIMUM SPACING FOR STEEL TEE POSTS SHALL BE 10'.
5. CONSTRUCTION FENCE SHALL BE SECURELY FASTENED TO THE TOP, MIDDLE, AND BOTTOM OF EACH POST.

CONSTRUCTION FENCE MAINTENANCE NOTES

1. INSPECT BMPs EACH WORKDAY, AND MAINTAIN THEM IN EFFECTIVE OPERATING CONDITION. MAINTENANCE OF BMPs SHOULD BE PROACTIVE, NOT REACTIVE. INSPECT BMPs AS SOON AS POSSIBLE (AND ALWAYS WITHIN 24 HOURS) FOLLOWING A STORM THAT CAUSES SURFACE EROSION, AND PERFORM NECESSARY MAINTENANCE.
2. FREQUENT OBSERVATIONS AND MAINTENANCE ARE NECESSARY TO MAINTAIN BMPs IN EFFECTIVE OPERATING CONDITION. INSPECTIONS AND CORRECTIVE MEASURES SHOULD BE DOCUMENTED THOROUGHLY.
3. WHERE BMPs HAVE FAILED, REPAIR OR REPLACEMENT SHOULD BE INITIATED UPON DISCOVERY OF THE FAILURE.
4. CONSTRUCTION FENCE SHALL BE REPAIRED OR REPLACED WHEN THERE ARE SIGNS OF DAMAGE SUCH AS RIPS OR SAGS. CONSTRUCTION FENCE IS TO REMAIN IN PLACE UNTIL THE UPSTREAM DISTURBED AREA IS STABILIZED AND APPROVED BY THE LOCAL JURISDICTION.
5. WHEN CONSTRUCTION FENCES ARE REMOVED, ALL DISTURBED AREAS ASSOCIATED WITH THE INSTALLATION, MAINTENANCE, AND/OR REMOVAL OF THE FENCE SHALL BE COVERED WITH TOPSOIL, SEEDED AND MULCHED, OR OTHERWISE STABILIZED AS APPROVED BY LOCAL JURISDICTION.

NOTE: MANY JURISDICTIONS HAVE BMP DETAILS THAT VARY FROM UDFCD STANDARD DETAILS. CONSULT WITH LOCAL JURISDICTIONS AS TO WHICH DETAIL SHOULD BE USED WHEN DIFFERENCES ARE NOTED.



Use:

Providing a stable Gravel Access Approach, minimizes the tracking of loose materials from the construction site onto public roadways. Coarser aggregate is more effective in reducing tracking. Any materials tracked onto public roadways shall be removed as specified in the Standard Specifications for Construction, or as directed by the Engineer.

Installation and maintenance of Gravel Access Approach is effective in reducing sediment loading to inlet protection devices.

Installation and Maintenance:

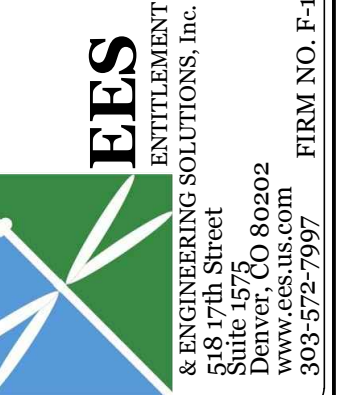
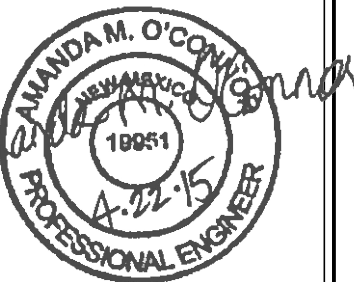
The Gravel Access Approach should be located in accordance with the plans or as directed by the Engineer. All vegetation and other objectionable material shall be removed from the foundation area. Geotextile Separator must be placed beneath the aggregate to stabilize the foundation.

Replace or replenish aggregate if it is no longer preventing tracking.

Optional Measures:

A Gravel Access with Diversion Ridge is recommended where access grade exceeds 2%. This will also aid in dislodging soil or debris from tires.

DATE	03/16/2015
BY	04/22/2015
REVISION	BIDS & BUILDING PERMIT PLAN CHECK
No.	BUILDING PERMIT COMM. RESPONSE



CIVIL CONSTRUCTION DOCUMENTS
DEL NORTE DIALYSIS CENTER
 5207 San Mateo Boulevard N.E.
EROSION CONTROL DETAILS

PROJECT NO:	DAV003.01
DESIGNED BY:	KLR
DRAWN BY:	KLR
DATE:	03/10/15