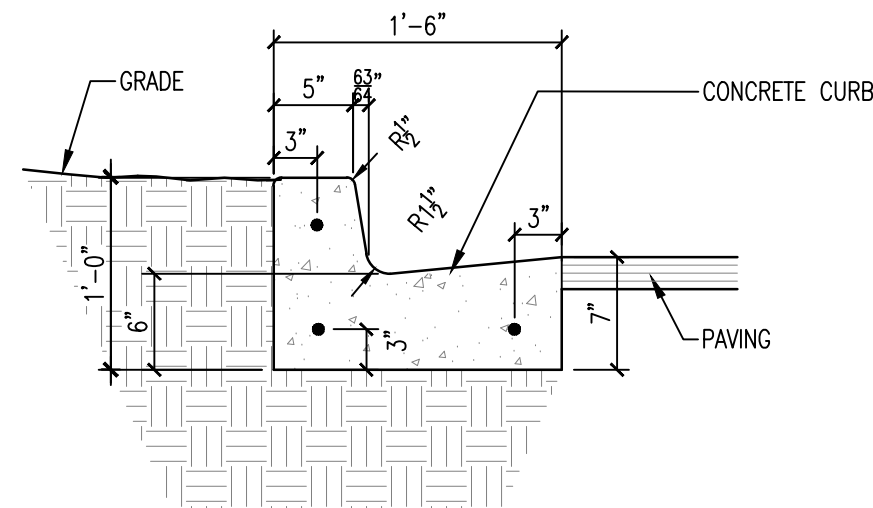
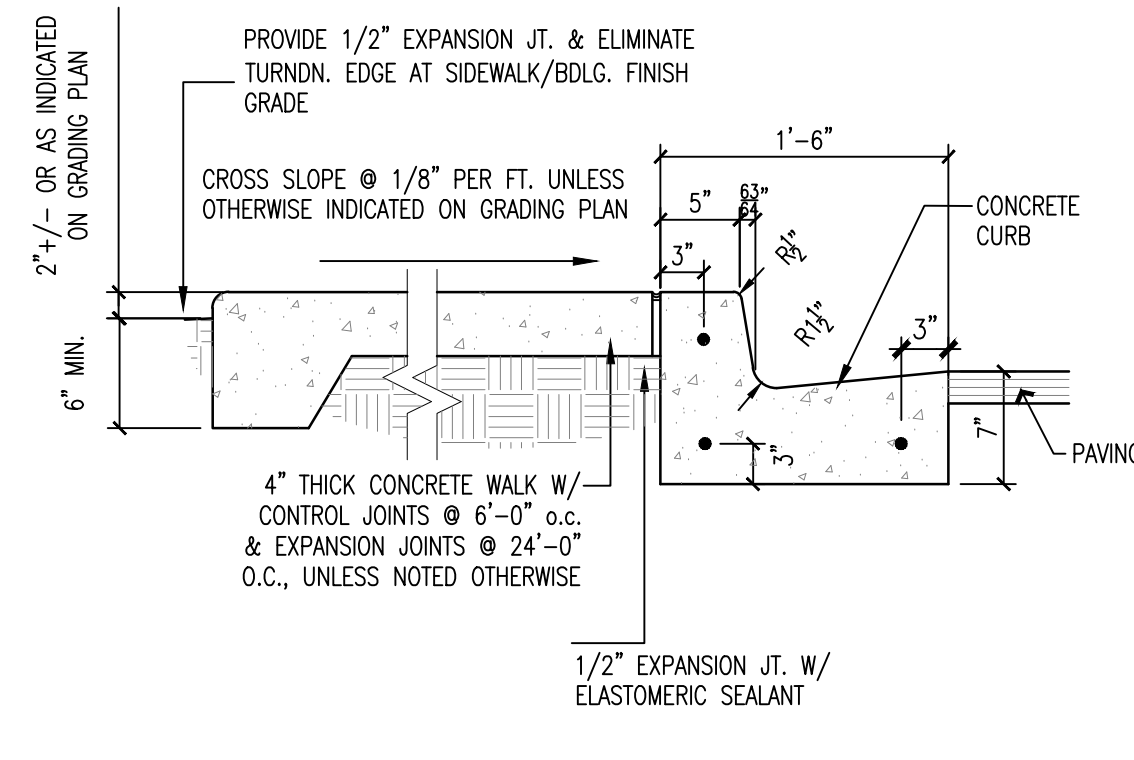


NOTE:
 PROVIDE CONTROL JOINTS @ 6'-0" O.C. MAX. (MATCH CONTIGIOUS SIDEWALK) AND DOWELED
 EXPANSION JOINTS @ 24'-0" O.C. MAX. UNLESS SHOWN OTHERWISE. CURB AND GUTTER
 JOINTING SHALL REFLECT THE JOINTING OF ADJACENT FLATWORK.

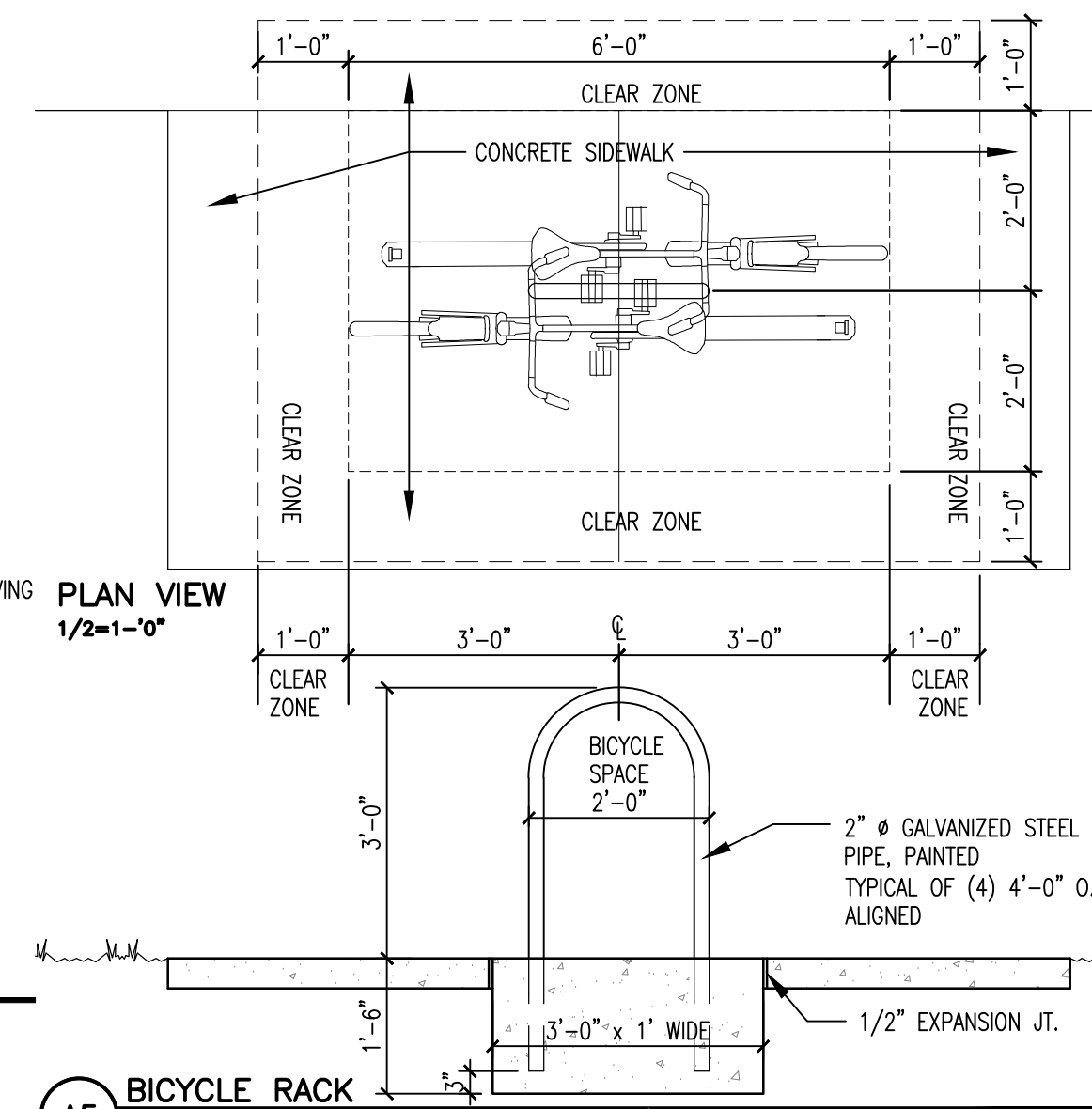


NOTE:
 HEADER CURB MAYBE USED IN LIEU OF CURB
 AND GUTTER AT NON-DRAINAGE LOCATIONS,
 REFER CIVIL, VERIFY REPLACEMENT AREAS WITH
 ARCHITECT.

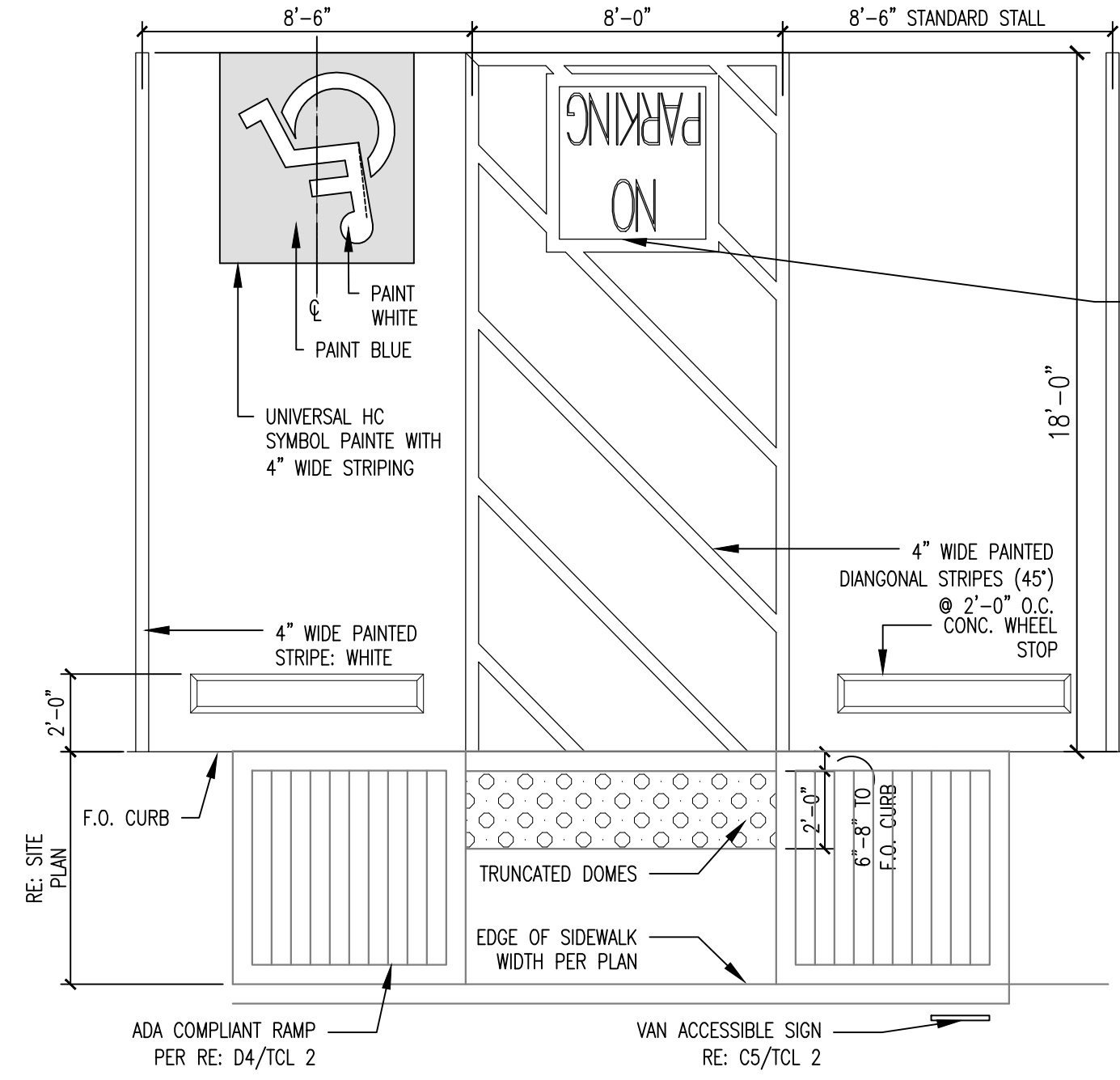
A3 CONCRETE CURB & GUTTER
 1/4"=1'-0"



A4 SIDEWALK SECTION
 1/4"=1'-0"



A5 BICYCLE RACK
 1/2"=1'-0"

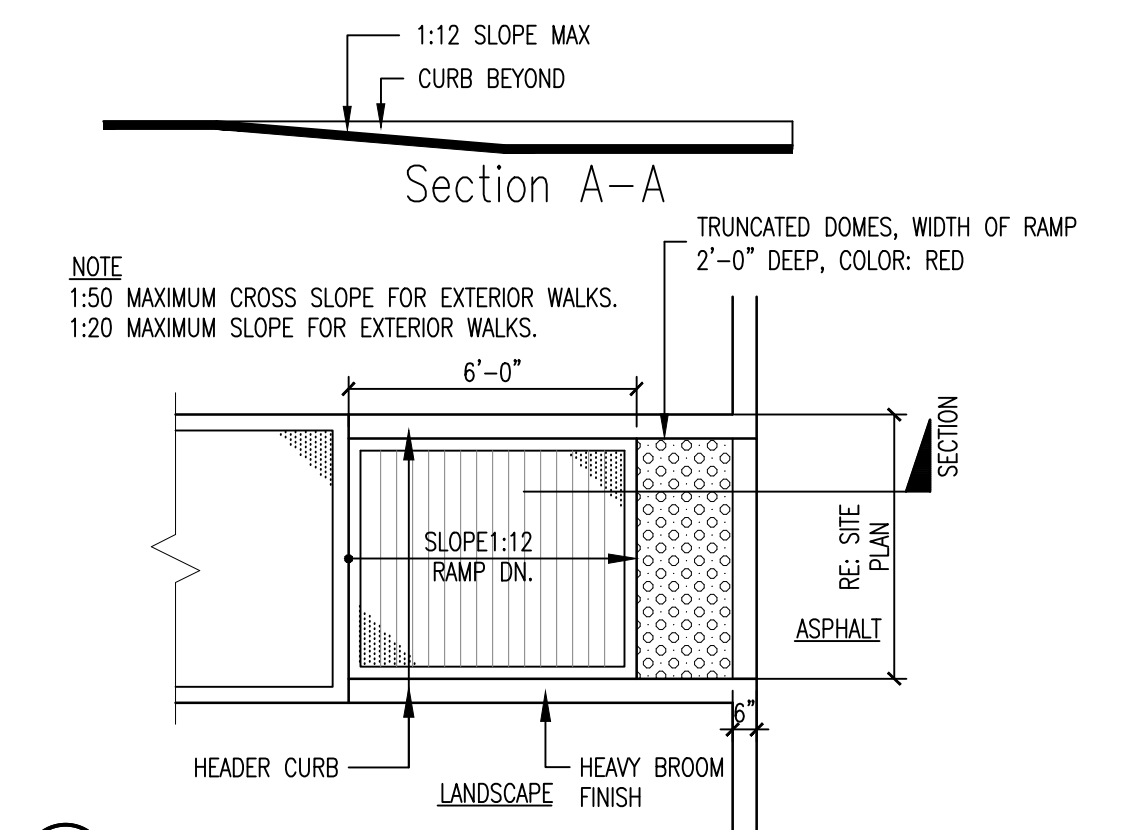


B4 DO NOT ENTER SIGN ELEVATION
 1/2"=1'-0"

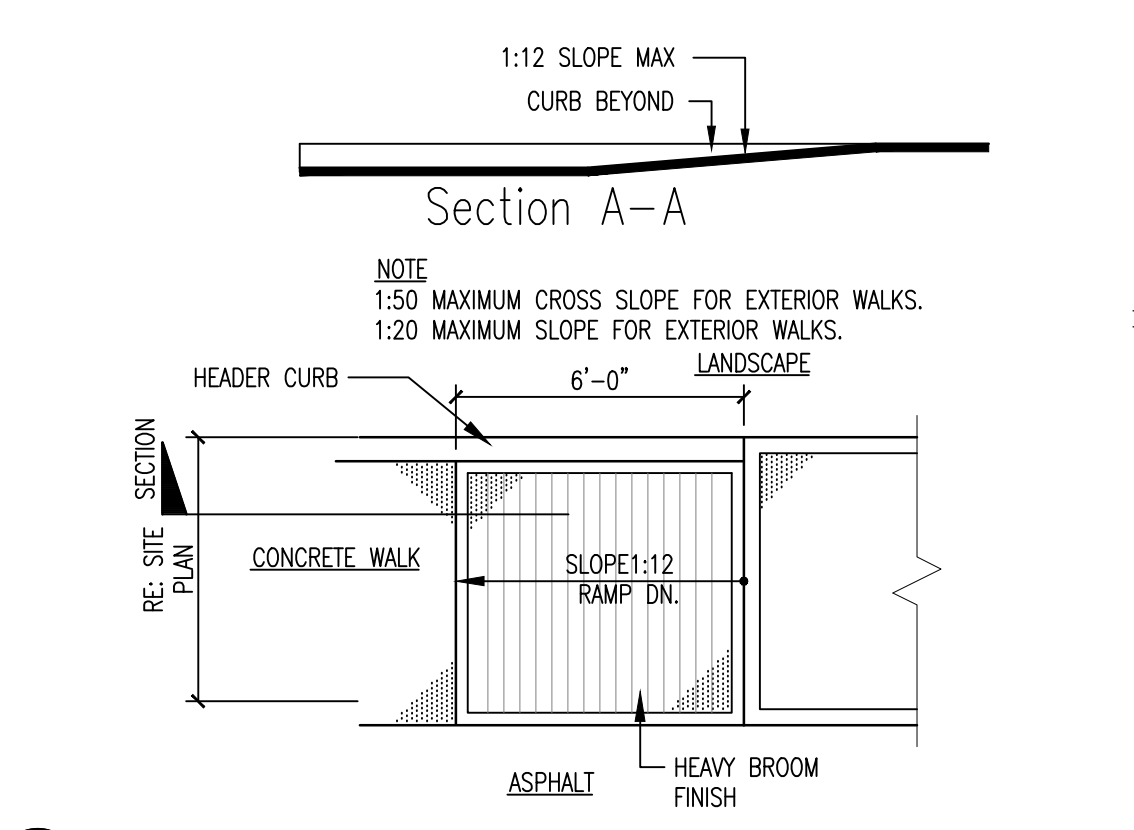
ACCESS AISLE SHALL HAVE THE WORDS "NO PARKING" IN CAPITAL LETTERS, EACH OF WHICH SHALL BE AT LEAST ONE FOOT HIGH AND AT LEAST TWO INCHES WIDE, PLACED AT THE REAR OF THE PARKING SPACE SO AS TO BE CLOSE TO WHERE AN ADJACENT VEHICLE'S REAR TIRES WOULD BE PLACED. (66-1-4.1.B NMSA 1978)

- NOTES:
- RAMPS SHALL NOT BE PLACED IN HANDICAP ACCESS AISLE, BUT SHALL BE PLACED WITHIN THE SIDEWALKS
 - ACCESS AISLE MAY NOT EXCEED 2% IN ANY DIRECTION.
 - HANDICAP ACCESS RAMPS MAY NOT EXCEED A SLOPE OF 8%
 - MINIMUM WIDTH OF HANDICAP ACCESS RAMPS IS 3'-0"
 - SIDES OF RAMPS MAY NOT EXCEED SLOPE OF 10% UNLESS HANDRAIL IS PROVIDED.
 - HANDICAP PARKING SHALL MEET ALL OTEHR APPLICABLE CITY AND ADA CODE REQUIREMENTS

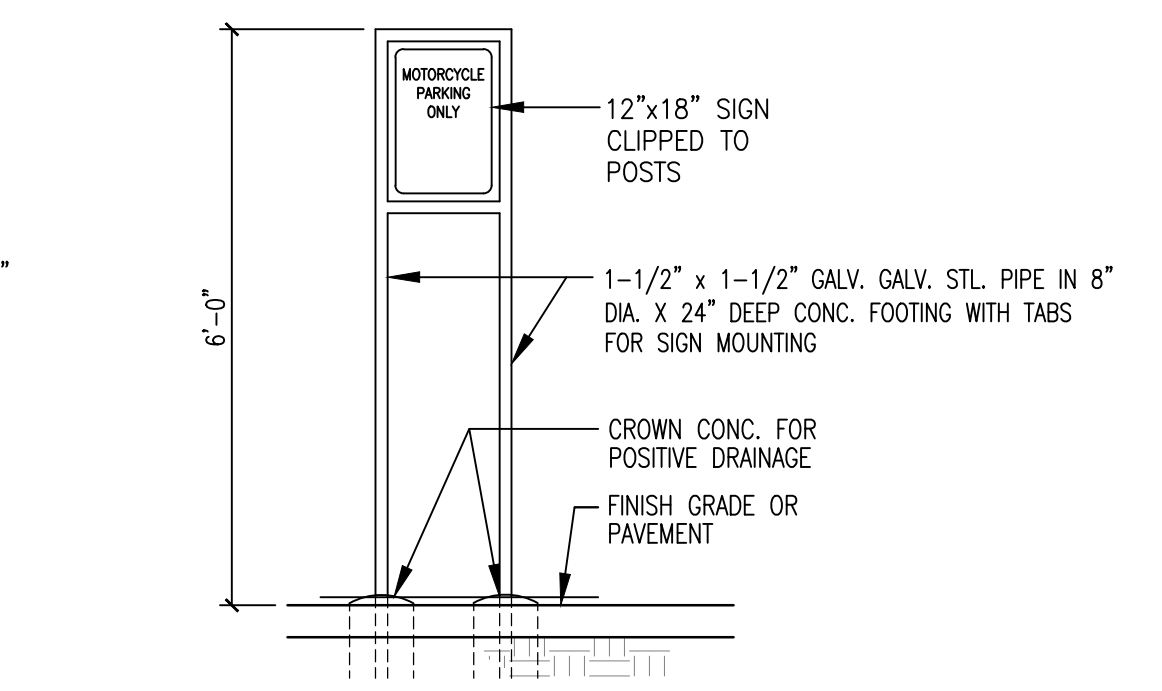
C4 TYPICAL ADA PARKING STALLS DETAIL
 1/4"=1'-0"



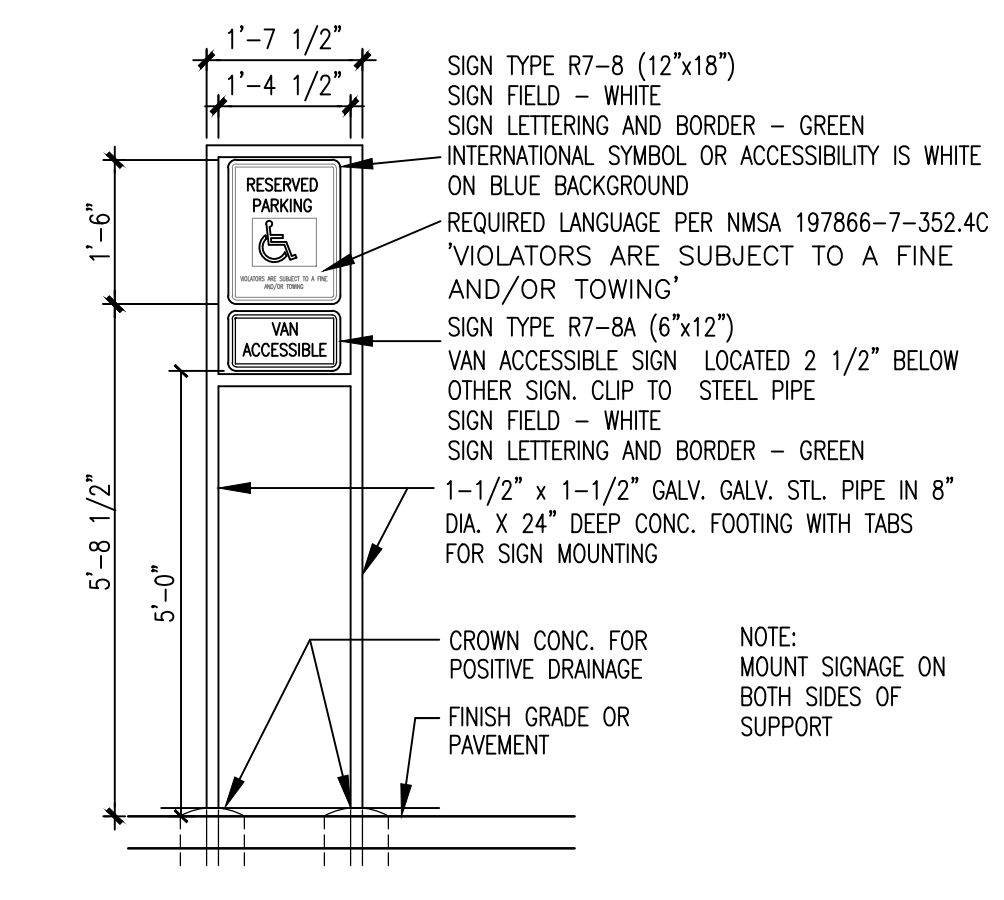
D3 RAMP @ SIDEWALK
 1/4"=1'-0"



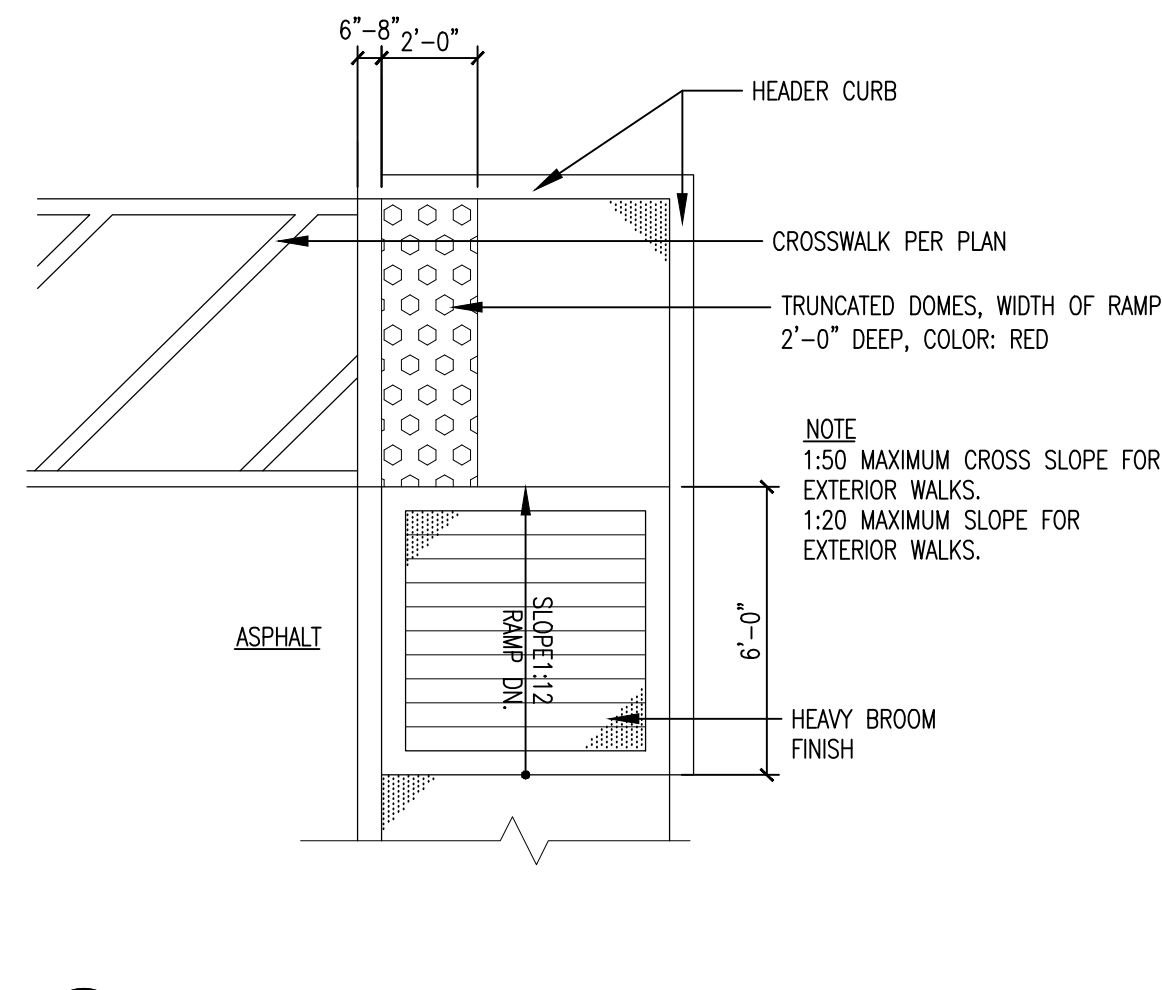
D4 ACCESSIBLE SIDEWALK RAMP
 1/4"=1'-0"



B5 MOTORCYCLE SIGN ELEVATION
 1/2"=1'-0"



C5 H.C. SIGN ELEVATION
 1/2"=1'-0"



D5 ACCESSIBLE SIDEWALK RAMP
 1/4"=1'-0"