

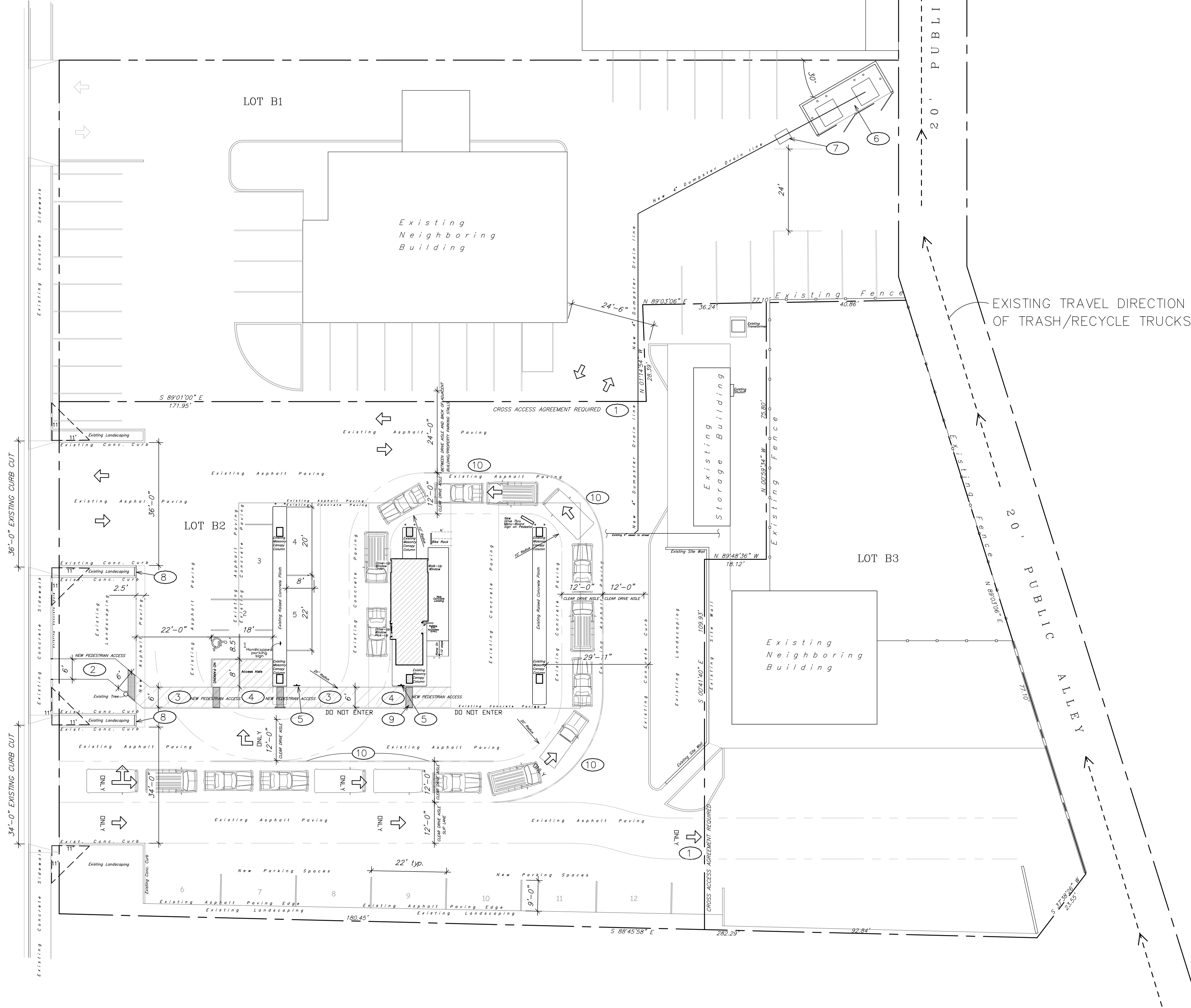
It is not the intention of the Solid Waste Department to control the design of an enclosure. It is the intent to give the minimum width, length, and height for varied types of enclosures.

Additional information concerning these specifications may be obtained by calling the Solid Waste Management Department at (505) 761-8125

\*\*\*Trash enclosures are intended for dumpsters only.\*\*\*  
\*\*\*If casters are required for service a level smooth hard surface (Asphalt, Concrete) is required from the edge of the apron\*\*\*

APPROVED FOR ACCESS ONLY  
SOLID WASTE DEPT 05-05-2022

D.J. Laskowski



**KEYED NOTES**

1. A Cross Access Agreement is required here: No Fences or Gates shall inhibit this crossing for the life of this agreement. To be submitted separately from this Building Permit must be done before final Certificate of Occupancy can be issued by City
2. 6' wide Accessible Pedestrian Access pathway from sidewalk to building: Crusher Fines or Concrete pathway from existing sidewalk to asphalt parking area
3. 6' wide Accessible Pedestrian Access pathway from sidewalk to building: Paint outline and striping on existing asphalt to designate pathway
4. 6' wide Accessible Pedestrian Access pathway from sidewalk to building: Paint outline and striping on existing concrete to designate pathway
5. "DO NOT ENTER" signage on post
6. New Double Trash Enclosure for front loader dumpster, 6 yard, per C.O.A. Standards
7. New Grease Interceptor per C.O.A. Plumbing Dept.
8. Sawcut & remove portion of existing concrete curbs to create 22' clear path behind New H.C. Accessible Parking space. Close of cut-back planter with new concrete curb per C.O.A. Standard Dwg. 2415
9. Detectable Warning strip on pavement, 2' depth x 6' wide, typ.
10. Painted striping on existing pavement

Unused Curb Cuts must be replaced w/ sidewalk, curb & gutter per City standard drawing 2430 & 2415A

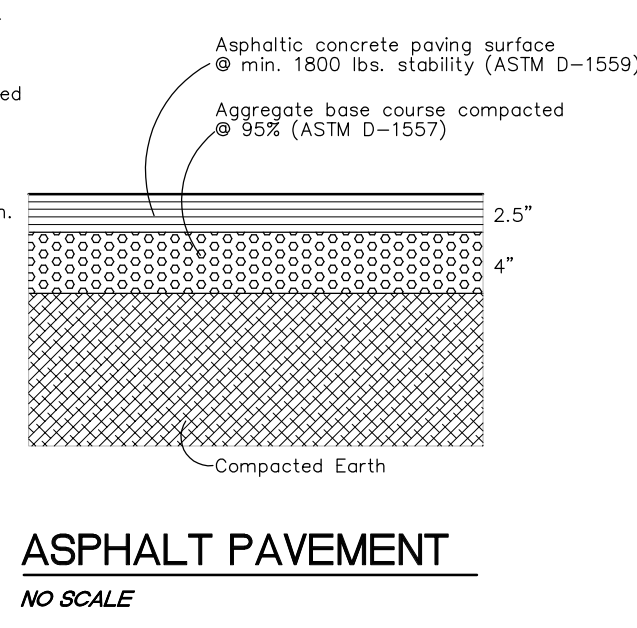
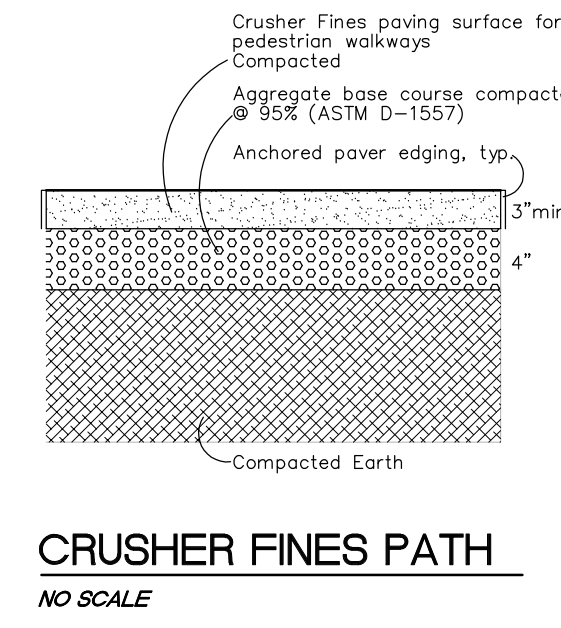
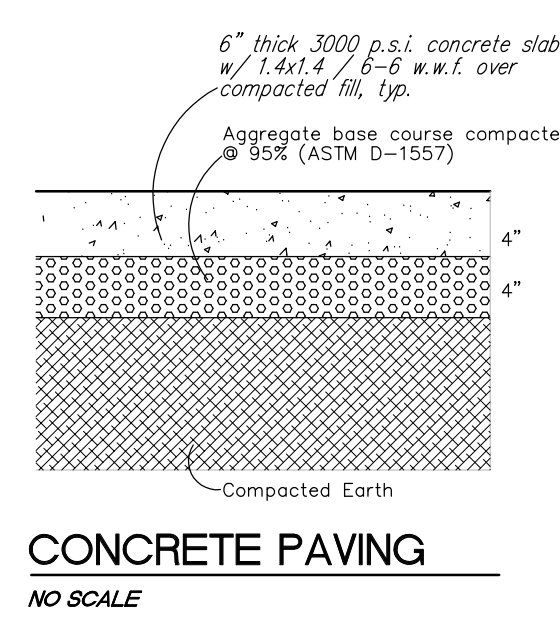
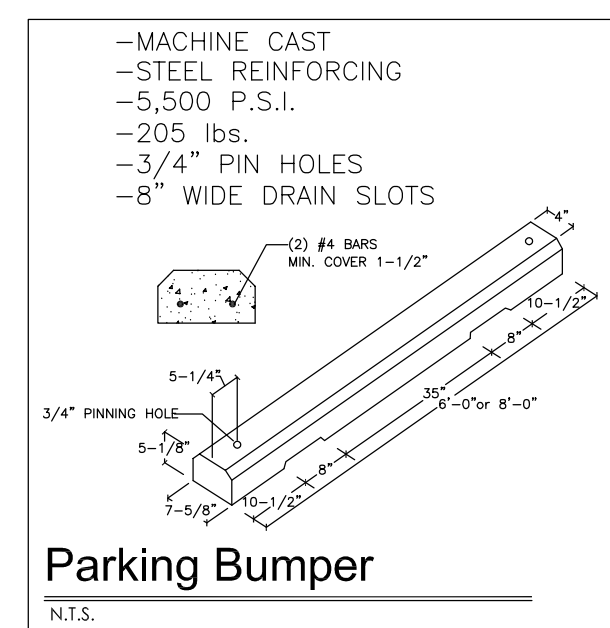
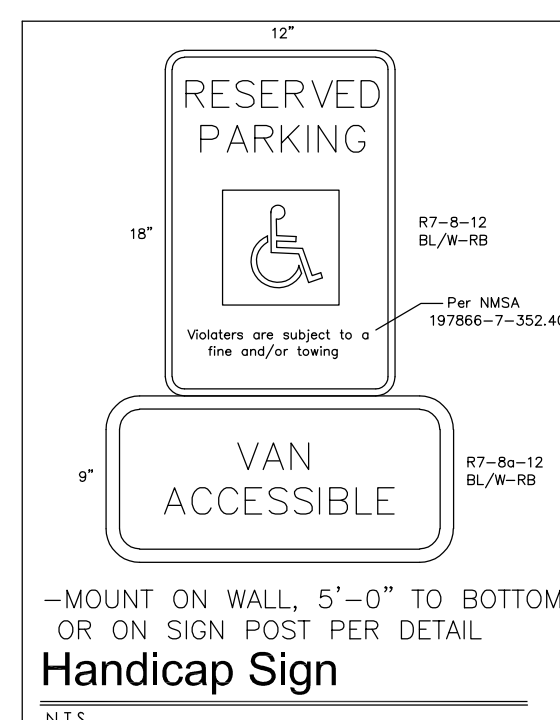
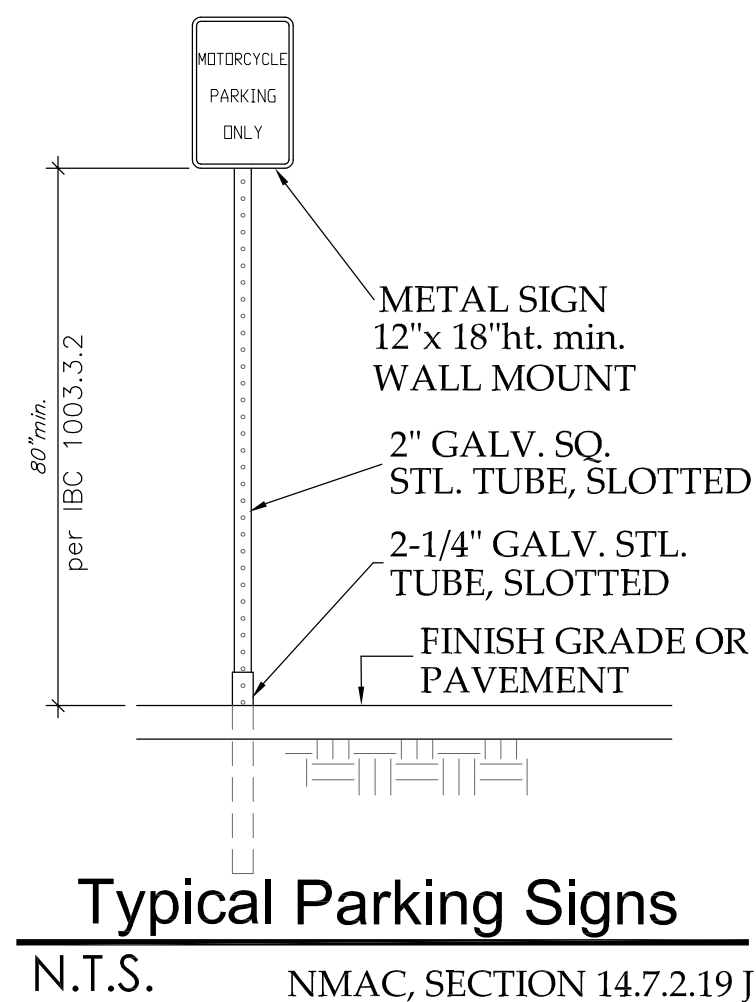
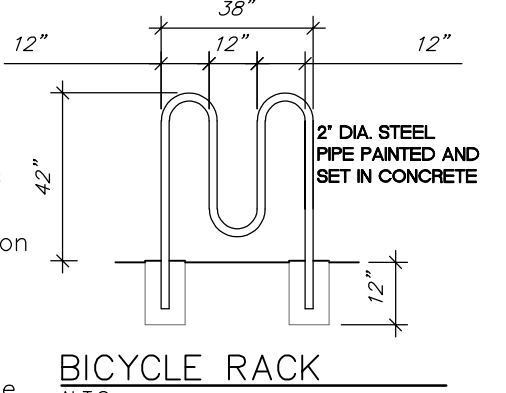
All broken or cracked sidewalk must be replaced with sidewalk and curb & gutter per City standard drawing 2430 Standard C & G



LANDSCAPING AND SIGNAGE WILL NOT INTERFERE WITH CLEAR SIGHT REQUIREMENTS, THEREFORE, SIGNS, WALLS, TREES, AND SHRUBBERY BETWEEN 3' AND 8' TALL (AS MEASURED FROM THE GUTTER PAN) WILL NOT BE ACCEPTABLE IN THE CLEAR SIGHT TRIANGLE

Bicycle racks shall be sturdy and anchored to a concrete pad. A 1-foot clear zone around the bicycle parking stall shall be provided. Bicycle parking spaces shall be at least 6 feet long and 2 feet wide.

- a. The rack shall be a minimum 30" tall and 18" wide
- b. The bicycle frame shall be supported horizontally at 2 or more places. Comb/toaster racks are not allowed
- c. The rack shall be designed to support the bicycle in an upright position
- d. See the IDO for additional information
- e. The rack allows varying bicycle frame sizes and styles to be attached
- f. The user is not required to lift the bicycle onto the bicycle rack
- f. Each bicycle parking space is accessible without moving another bicycle



**PARKING CRITERIA**

BUSINESS PER 1000 SF GROSS  
3 SPACES REQUIRED  
12 SPACES PROVIDED  
1 OF WHICH IS HANDICAPPED ACCESSIBLE

**REFUSE**

REFUSE IS DISPOSED OF IN NEW DUMPSTER NEXT TO EXISTING PIZZA 9 DUMPSTER ON NORTH ADJACENT PROPERTY AT EASTERLY REAR PUBLIC ALLEY; A CROSS ACCESS AGREEMENT WILL ALLOW FOR SHARING AT THIS DUMPSTER LOCATION

**TRAFFIC CIRCULATION LAYOUT**

1" = 20'-0"

