

# CITY OF ALBUQUERQUE



December 15, 2017

Eric Munn RA  
Eric Munn T.I. Design Services  
717 Cagua Dr NE  
Albuquerque, NM 87108

**Re: Daycare Center  
515 Old Coors Dr. SW  
30-Day Temporary Certificate of Occupancy- Transportation Development  
Transportation Development Final Inspection  
Architect's Stamp dated 12-05-16 (K11-D086)  
Certification dated 11-30-17**

Dear Mr. Munn,

Based upon the information provided in your submittal received 12-15-17, Transportation Development has no objection to the issuance of a Permanent Certificate of Occupancy. This letter serves as a "green tag" from Transportation Development for a Permanent Certificate of Occupancy to be issued by the Building and Safety Division.

PO Box 1293

If you have any questions, please contact Monica Ortiz at (505) 924-3981 or me at (505)924-3630.

Albuquerque

Sincerely,

NM 87103

Logan Patz  
Senior Engineer, Planning Department.  
Development Review Services

www.cabq.gov

LWP via: email  
C: CO Clerk, File



# City of Albuquerque

Planning Department  
Development & Building Services Division

## DRAINAGE AND TRANSPORTATION INFORMATION SHEET (REV 1/2016)

Project Title: Daycare Center Building Permit #: BP2016-30742 Hydrology File #: K110086

DRB#: \_\_\_\_\_ EPC#: \_\_\_\_\_ Work Order#: \_\_\_\_\_

Legal Description: Lot 103 Rio Grande Heights Addn.

City Address: 515 Old Coors Drive SW Albuquerque NM 87121

Applicant: Eric Munn T.I. Design Services Contact: \_\_\_\_\_

Address: 717 Cagua Dr. NE ABA NM 87108

Phone#: 688-2914 Fax#: \_\_\_\_\_ E-mail: holybarbarian@yahse.com

Other Contact: \_\_\_\_\_ Contact: \_\_\_\_\_

Address: \_\_\_\_\_

Phone#: \_\_\_\_\_ Fax#: \_\_\_\_\_ E-mail: \_\_\_\_\_

Check all that Apply:

- DEPARTMENT:**
- HYDROLOGY/ DRAINAGE
  - TRAFFIC/ TRANSPORTATION
  - MS4/ EROSION & SEDIMENT CONTROL

- TYPE OF APPROVAL/ACCEPTANCE SOUGHT:**
- BUILDING PERMIT APPROVAL
  - CERTIFICATE OF OCCUPANCY
  - GRADING/ESC PERMIT APPROVAL

- TYPE OF SUBMITTAL:**
- AS-BUILT CERTIFICATION
  - CONCEPTUAL G & D PLAN
  - GRADING PLAN
  - DRAINAGE MASTER PLAN
  - DRAINAGE REPORT
  - CLOMR/LOMR
  - TRAFFIC CIRCULATION LAYOUT (TCL)
  - TRAFFIC IMPACT STUDY (TIS)
  - NEIGHBORHOOD IMPACT ASSESMENT (NIA)
  - EROSION & SEDIMENT CONTROL PLAN (ESC)
  - OTHER (SPECIFY) \_\_\_\_\_

- PRELIMINARY PLAT APPROVAL
- SITE PLAN FOR SUB'D APPROVAL
- SITE PLAN FOR BLDG. PERMIT APPROVAL
- FINAL PLAT APPROVAL
- SIA/ RELEASE OF FINANCIAL GUARANTEE
- FOUNDATION PERMIT APPROVAL
- SO-19 APPROVAL
- PAVING PERMIT APPROVAL
- GRADING/ PAD CERTIFICATION
- WORK ORDER APPROVAL
- CLOMR/LOMR
- PRE-DESIGN MEETING?
- OTHER (SPECIFY) \_\_\_\_\_



IS THIS A RESUBMITTAL?:  Yes  No

DATE SUBMITTED: 11.30.17 By: [Signature]

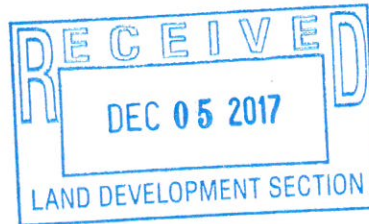
T.I. Design Services - Eric Munn  
717 Cagua Drive NE Albuquerque NM

**TRAFFIC CERTIFICATION**

I, Eric Munn, NMRA/Owner, OF THE FIRM, TI Design Services, HEREBY CERTIFY THAT THIS PROJECT, My Little World Daycare Center BP2016-30242, IS IN SUBSTANTIAL COMPLIANCE WITH AND IN ACCORDANCE WITH THE DESIGN INTENT OF THE APPROVED PLAN DATED 12-5-2016. THE RECORD INFORMATION EDITED ONTO THE ORIGINAL DESIGN DOCUMENT HAS BEEN OBTAINED BY Eric Munn OF THE FIRM TI Design Services. I FURTHER CERTIFY THAT I HAVE PERSONALLY VISITED THE PROJECT SITE ON November 29, 2017\_ AND HAVE DETERMINED BY VISUAL INSPECTION THAT THE SURVEY DATA PROVIDED AND AMENDED IS REPRESENTATIVE OF ACTUAL SITE CONDITIONS AND IS TRUE AND CORRECT TO THE BEST OF MY KNOWLEDGE AND BELIEF. THIS CERTIFICATION IS SUBMITTED IN SUPPORT OF A REQUEST FOR Certificate of Occupancy.

<LIST EXCEPTIONS, IF ANY>

THE RECORD INFORMATION PRESENTED HEREON IS NOT NECESSARILY COMPLETE AND INTENDED ONLY TO VERIFY SUBSTANTIAL COMPLIANCE OF THE TRAFFIC ASPECTS OF THIS PROJECT. THOSE RELYING ON THE RECORD DOCUMENT ARE ADVISED TO OBTAIN INDEPENDENT VERIFICATION OF ITS ACCURACY BEFORE USING IT FOR ANY OTHER PURPOSE.

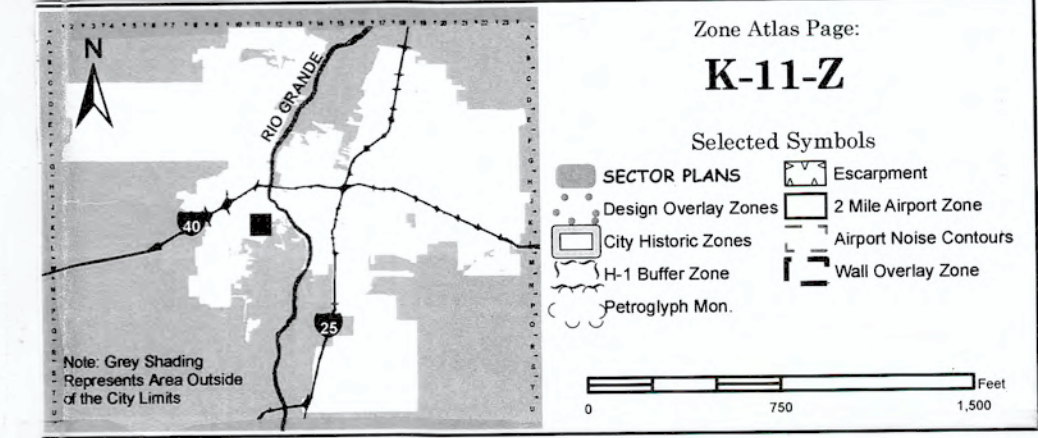
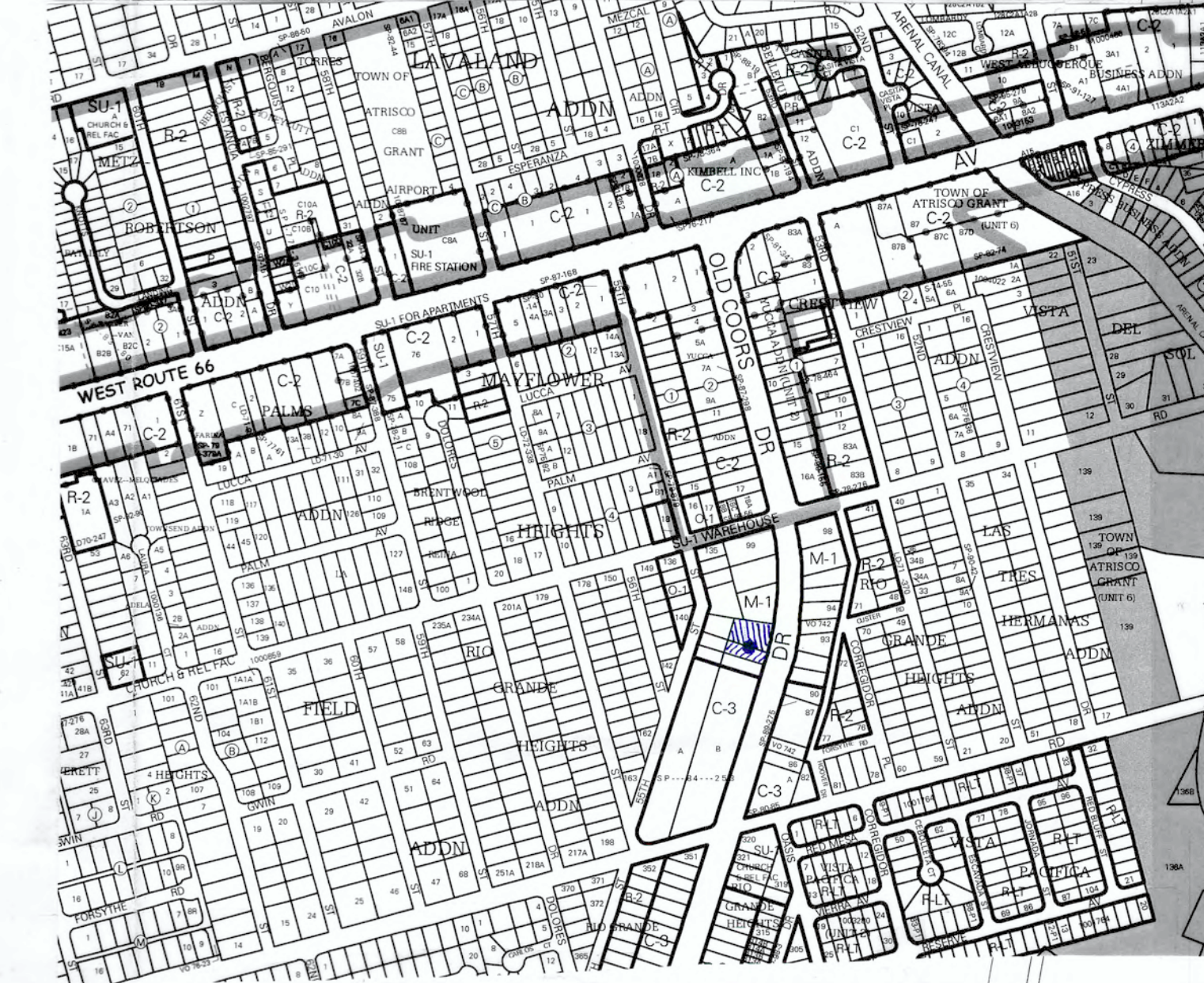
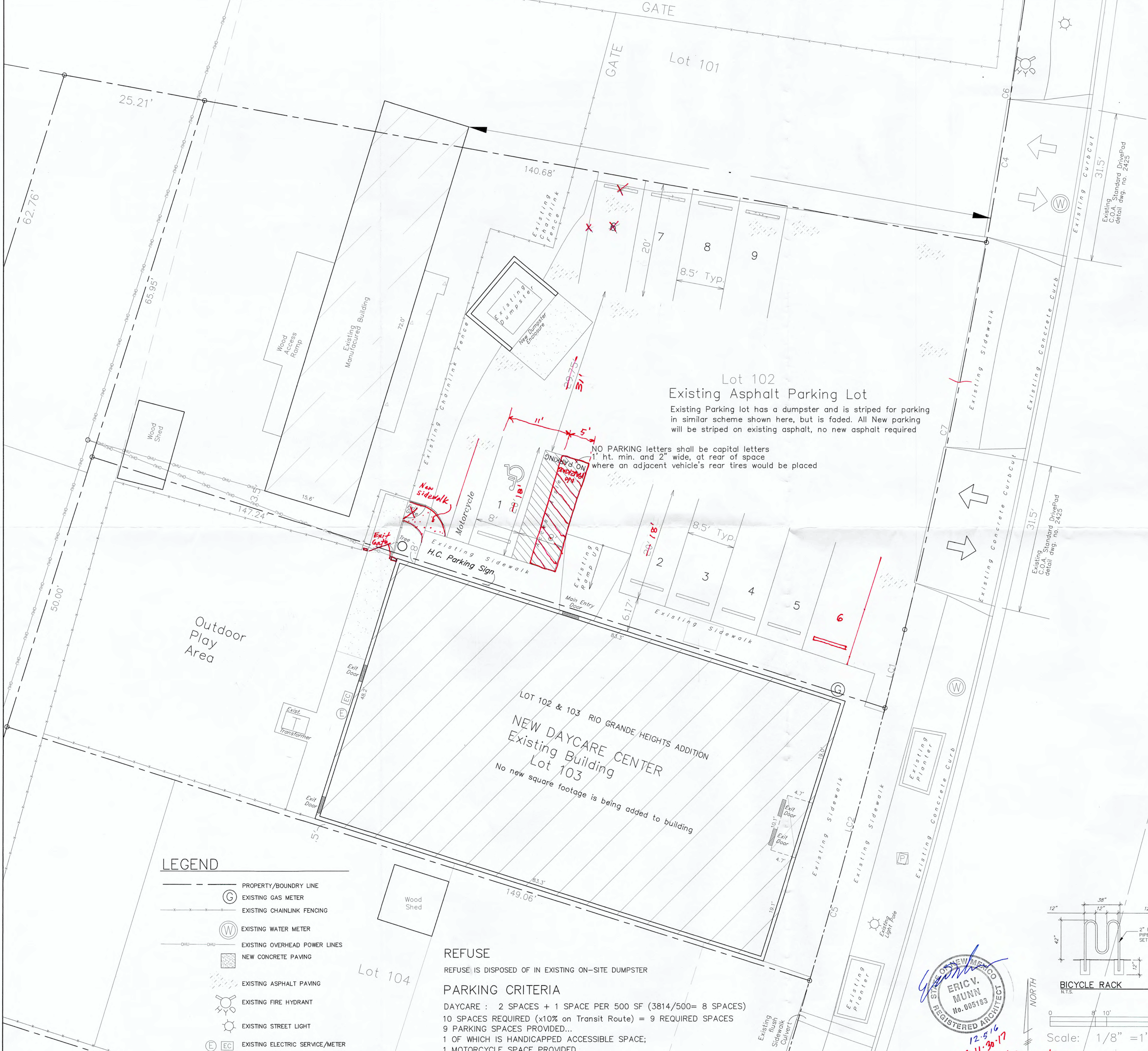


A handwritten signature in black ink, appearing to read "Eric Munn", written over a horizontal line.

**ENGINEER'S OR ARCHITECT'S STAMP**

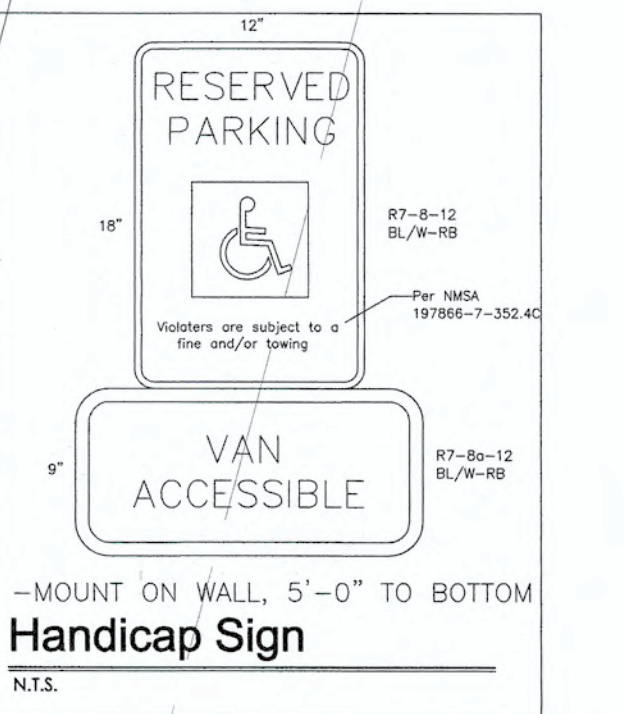
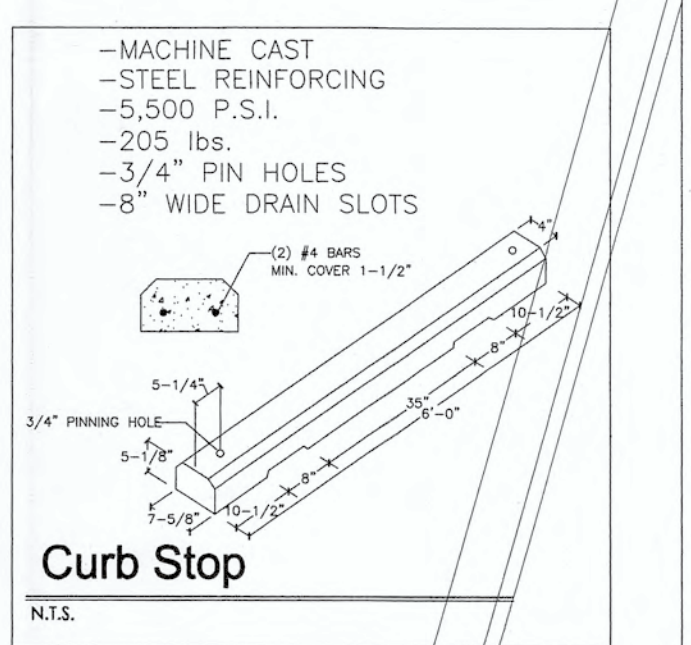
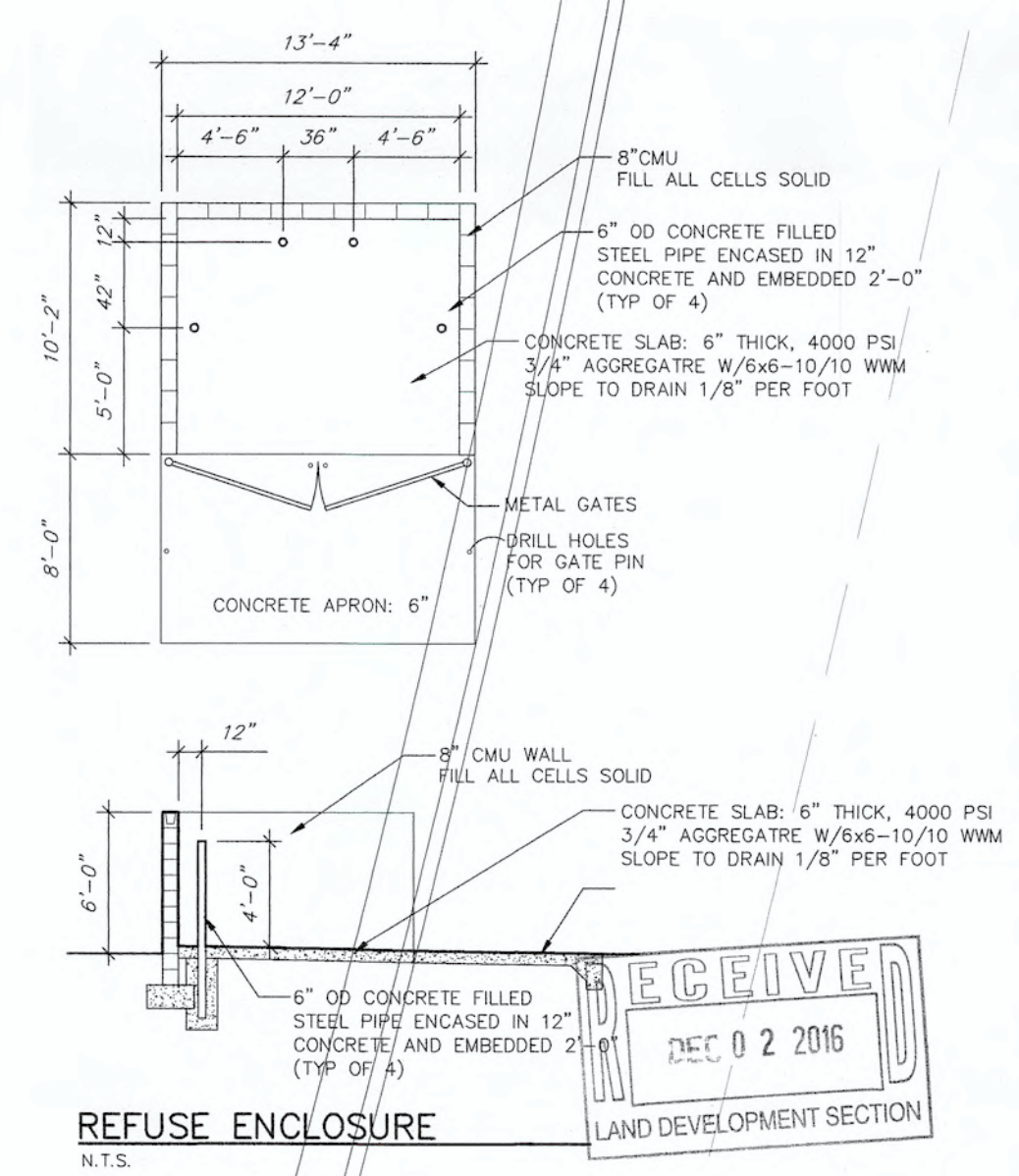
Signature of Engineer or Architect

11.30.17  
Date



**TRAFFIC CIRCULATION LAYOUT APPROVED**  
*Eric V. Munn* 12/25/16  
 Signed Date

ALL WHEELCHAIR RAMPS LOCATED WITHIN THE PUBLIC RIGHT OF WAY MUST HAVE TRUNCATED DOMES.

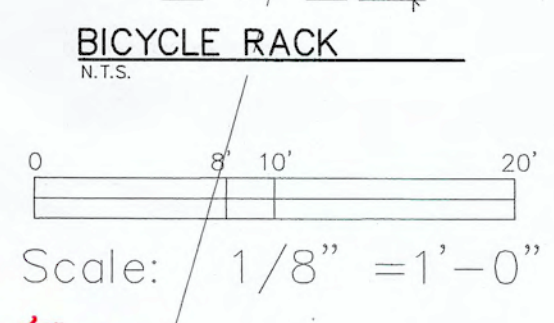


- LEGEND**
- PROPERTY/BOUNDARY LINE
  - EXISTING GAS METER
  - EXISTING CHAINLINK FENCING
  - EXISTING WATER METER
  - EXISTING OVERHEAD POWER LINES
  - NEW CONCRETE PAVING
  - EXISTING ASPHALT PAVING
  - EXISTING FIRE HYDRANT
  - EXISTING STREET LIGHT
  - EXISTING ELECTRIC SERVICE/METER

**REFUSE**  
 REFUSE IS DISPOSED OF IN EXISTING ON-SITE DUMPSTER

**PARKING CRITERIA**  
 DAYCARE : 2 SPACES + 1 SPACE PER 500 SF (3814/500= 8 SPACES)  
 10 SPACES REQUIRED (x10% on Transit Route) = 9 REQUIRED SPACES  
 9 PARKING SPACES PROVIDED...  
 1 OF WHICH IS HANDICAPPED ACCESSIBLE SPACE;  
 1 MOTORCYCLE SPACE PROVIDED

ERIC V. MUNN  
 No. 005193  
 REGISTERED ARCHITECT



**SITE PLAN / TRAFFIC CIRCULATION LAYOUT**  
 SCALE: 1/8" = 1'-0"

DAYCARE CENTER

MY LITTLE WORLD DAYCARE CENTER  
 515 OLD COORS DRIVE SW  
 ALBUQUERQUE, NEW MEXICO 87121

SHEET  
 TCL  
 1 of 1  
 12 - 2 - 16  
 DATE  
 PROJECT NO.