

VICINITY MAP: Q-16-Z

LEGAL DESCRIPTION:
 LT 1B PLAT OF LOTS 1A, 1B, 1C, 1D AND 1E SNOW VISTA INVESTORS CONT 4.7454 +/- AC

SEQUENCE OF CONSTRUCTION

1. INSTALL STABILIZED CONSTRUCTION ENTRANCES.
2. POST PUBLIC NOTICE PER DETAIL.
3. INSTALL DOWN GRADIENT PERIMETER CONTROLS.
4. BEGIN GRUBBING AND SOIL DISTURBING ACTIVITIES.
5. PROVIDE POSITIVE GRADES TOWARDS SEDIMENT PONDS DURING SITE GRADING.
6. INSTALL INTERMEDIATE CONTROLS OF STEEP SLOPES.
7. PROVIDE TEMPORARY STABILIZATION OF DISTURBED AREAS OR STOCKPILES.
8. FINISH GRADING THE SITE.
9. COMPLETE SITE FINAL STABILIZATION REFER COA SPEC 1013

GROUND COVER (PRE-CONSTRUCTION):

THE UNDISTURBED AND PRE-CONSTRUCTION GROUND COVER CONSISTS OF UNCOMPACTED SOIL WITH NATIVE GRASSES, WEEDS, AND SHRUBS WITH MINIMAL DISTURBANCES TO GRADING. AN EXISTING RETENTION POND EXISTS ON SITE. THE INTEND OF THIS PLAN IS TO FACILITATE THE ROUGH GRADING AND OVER EXCAVATION FOR NEW FACILITIES WITHIN THE CONSTRUCTION LIMITS.

NATURE AND EXTENT OF CONSTRUCTION ACTIVITIES:

NATURE OF CONSTRUCTION ACTIVITIES: ROUGH GRADING AND DRAINAGE.
 PROPERTY SIZE: 16.416 ACRES
 DISTURBED AREA SIZE: 14.91 ACRES
 DESCRIPTION OF CONSTRUCTION SUPPORT ACTIVITIES: EQUIPMENT STAGING YARD, MATERIALS STORAGE AREA, EXCAVATED MATERIALS DISPOSAL/STORAGE AREAS.
 MAXIMUM DISTURBED AREA SIZE: 14.91 ACRES

PROPOSED

- BOUNDARY LINE
- LIMITS OF DISTURBANCE
- - - - - 5056 --- EXISTING CONTOURS
- 5056 — PROPOSED CONTOURS

EROSION DETAILS

- CE TEMPORARY STONE CONSTRUCTION EXIT
- SF TEMPORARY SILT FENCE
- ST SEDIMENT TRAP
- IP INLET PROTECTION
- SS SWPPP SIGN
- DB TEMPORARY DIVERSION BERM - DETAIL SHEET SWP-3
- TPS TEMPORARY PARKING AND STORAGE

EROSION NOTES

OPERATOR:

OPERATOR 1 NAME: _____
 PHONE: _____
 EMAIL: _____

OPERATOR 2 NAME: _____
 PHONE: _____
 EMAIL: _____

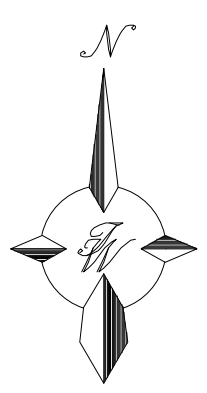
OPERATOR 3 NAME: _____
 PHONE: _____
 EMAIL: _____

STORMWATER TEAM MEMBERS:

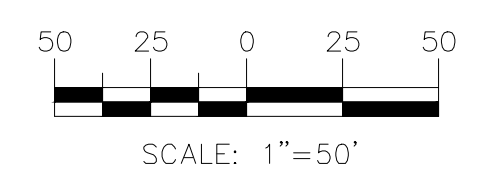
SEDIMENT REMOVAL NAME: _____
 PHONE: _____
 EMAIL: _____

BMP MAINTENANCE NAME: _____
 PHONE: TBD
 EMAIL: TBD

INSPECTIONS NAME: _____
 PHONE: _____
 EMAIL: _____



GRAPHIC SCALE



\\TINAS\Z_Drive\2023\2023103 Meso Del Sol Innovation Park Pending\dwg\Construction\2023103_SWPPP.dwg Jan 28, 2026 - 10:53am

	KAIROS POWER ALBUQUERQUE, NM	DRAWN BY LN
	ESC PLAN	DATE 01/28/2026
	TERRA WEST, LLC 5571 MIDWAY PARK PLACE NE ALBUQUERQUE, NM 87109 (505) 858-3100 www.terrawestllc.com	2023103_SWPPP
RONALD R. BOHANNAN P.E. #7868		SHEET # SWP-1
		JOB # 2023103

ESC PLAN STANDARD NOTES:

1. ALL EROSION AND SEDIMENT CONTROL (ESC) WORK ON THESE PLANS, EXCEPT AS OTHERWISE STATED OR PROVIDED HEREON SHALL BE PERMITTED, CONSTRUCTED, INSPECTED, AND MAINTAINED IN ACCORDANCE WITH:
 - A. THE CITY ORDINANCE § 14-5-2-11, THE ESC ORDINANCE,
 - B. THE EPA'S 2022 CONSTRUCTION GENERAL PERMIT (CGP), AND
 - C. THE CITY OF ALBUQUERQUE CONSTRUCTION BMP MANUAL.
2. ALL BMP'S MUST BE INSTALLED PRIOR TO BEGINNING ANY EARTH MOVING ACTIVITIES EXCEPT AS SPECIFIED HEREON IN THE PHASING PLAN. CONSTRUCTION OF EARTHEN BMP'S SUCH AS SEDIMENT TRAPS, SEDIMENT BASINS, AND DIVERSION BERMS SHALL BE COMPLETED AND INSPECTED PRIOR TO ANY OTHER CONSTRUCTION OR EARTHWORK. SELF-INSPECTION IS REQUIRED AFTER INSTALLATION OF THE BMP'S AND PRIOR TO BEGINNING CONSTRUCTION.
3. SELF-INSPECTIONS – IN ACCORDANCE WITH CITY ORDINANCE § 14-5-2-11(C)(1), "AT A MINIMUM A ROUTINE SELF-INSPECTION IS REQUIRED TO REVIEW THE PROJECT FOR COMPLIANCE WITH THE CONSTRUCTION GENERAL PERMIT ONCE EVERY 14 DAYS AND AFTER ANY PRECIPITATION EVENT OF 1/4 INCH OR GREATER UNTIL THE SITE CONSTRUCTION HAS BEEN COMPLETED AND THE SITE DETERMINED AS STABILIZED BY THE CITY. REPORTS OF THESE INSPECTIONS SHALL BE KEPT BY THE PERSON OR ENTITY AUTHORIZED TO DIRECT THE CONSTRUCTION ACTIVITIES ON THE SITE AND MADE AVAILABLE UPON REQUEST.
4. CORRECTIVE ACTION REPORTS MUST BE KEPT BY THE PERSON OR ENTITY AUTHORIZED TO DIRECT THE CONSTRUCTION ACTIVITIES ON THE SITE AND MADE AVAILABLE UPON REQUEST.
5. FINAL STABILIZATION AND NOTICE OF TERMINATION (NOT) – IN ACCORDANCE WITH CITY ORDINANCE § 14-5-2-11(C)(1), SELF-INSPECTIONS MUST CONTINUE UNTIL THE SITE IS "DETERMINED AS STABILIZED BY THE CITY." THE PROPERTY OWNER/OPERATOR IS RESPONSIBLE FOR DETERMINING WHEN THE "CONDITIONS FOR TERMINATING CGP COVERAGE" PER CGP PART 8.2 ARE SATISFIED AND THEN FOR FILING THEIR NOTICE OF TERMINATION (NOT) WITH THE EPA. EACH OPERATOR MAY TERMINATE CGP COVERAGE ONLY IF ONE OR MORE OF THE CONDITIONS IN PART 8.2.1, 8.2.2, OR 8.2.3 HAS OCCURRED. AFTER FILING THE NOT WITH THE EPA, THE PROPERTY OWNER IS RESPONSIBLE FOR REQUESTING A DETERMINATION OF STABILIZATION FROM THE CITY.
6. WHEN DOING WORK IN THE CITY RIGHT-OF-WAY (E.G. SIDEWALK, DRIVE PADS, UTILITIES, ETC.) PREVENT DIRT FROM GETTING INTO THE STREET. IF DIRT IS PRESENT IN THE STREET, THE STREET SHOULD BE SWEEPED DAILY OR PRIOR TO A RAIN EVENT OR CONTRACTOR INDUCED WATER EVENT (E.G. CURB CUT OR WATER TEST).
7. WHEN INSTALLING UTILITIES BEHIND THE CURB, THE EXCAVATED DIRT SHOULD NOT BE PLACED IN THE STREET.
8. WHEN CUTTING THE STREET FOR UTILITIES THE DIRT SHALL BE PLACED ON THE UPHILL SIDE OF THE STREET CUT AND THE AREA SWEEPED AFTER THE WORK IS COMPLETE. A WATTLE OR MULCH SOCK MAY BE PLACED AT THE TOE OF THE EXCAVATED DIRT PILE IF SITE CONSTRAINTS DO NOT ALLOW PLACING THE EXCAVATED DIRT ON THE UPHILL SIDE OF THE STREET CUT.
9. ESC PLANS MUST SHOW LONGITUDINAL STREET SLOPE AND STREET NAMES. ON STREETS WHERE THE LONGITUDINAL SLOPE IS STEEPER THAN 2.5%, WATTLES/MULCH SOCKS OR J-HOOD SILT FENCE SHALL BE SHOWN IN THE FRONT YARD SWALE OR ON THE SIDE OF THE STREET.

GENERAL EROSION NOTES:

- A. THE STORMWATER POLLUTION PREVENTION PLAN (SWPPP) IS COMPRISED OF THE SWPPP BOOK, THE 2017 GENERAL CONSTRUCTION PERMIT, THIS DRAWING ("TEMPORARY EROSION CONTROL AND SEDIMENTATION PLAN"), STANDARD DETAILS ("TEMPORARY EROSION CONTROL AND SEDIMENTATION DETAILS"), EPA NOTICE OF INTENT PERMIT AND ALL SUBSEQUENT REPORTS, CORRECTIVE ACTIONS AND EROSION CONTROL RELATED DOCUMENTS.
- B. ALL OPERATORS AS DESIGNATED, CONTRACTORS AND SUBCONTRACTORS INVOLVED WITH SITE ACTIVITIES RELATED TO STORM WATER POLLUTION PREVENTION SHALL REVIEW A COPY OF THE STORM WATER POLLUTION PREVENTION PLAN (SWPPP), THE 2017 CONSTRUCTION GENERAL PERMIT, THE NATIONAL POLLUTANT DISCHARGE ELIMINATION SYSTEM (NPDES), THE CLEAN WATER ACT OF 1972 AND BECOME FAMILIAR WITH THEIR CONTENTS.
- C. THE OPERATOR IN CONTROL OF DAILY SITE ACTIVITIES SHALL IMPLEMENT BEST MANAGEMENT PRACTICES AS REQUIRED BY THE SWPPP. ADDITIONAL BEST MANAGEMENT PRACTICES SHALL BE IMPLEMENTED AS DICTATED BY CONDITIONS THAT MAY OCCUR AT NO ADDITIONAL COST TO PROJECT OWNER THROUGHOUT ALL PHASES OF CONSTRUCTION.
- D. BEST MANAGEMENT PRACTICES (BMP'S) AND CONTROLS SHALL CONFORM TO ALL FEDERAL, STATE, OR LOCAL REQUIREMENTS OR MANUAL OF PRACTICE, AS APPLICABLE. OPERATOR WITH CONTROL OF DAILY SITE ACTIVITIES SHALL IMPLEMENT ADDITIONAL CONTROLS AS DIRECTED BY PERMITTING AGENCY, LOCAL JURISDICTIONAL AUTHORITY OR SWPPP COMPLIANCE INSPECTOR.
- E. THE TEMPORARY EROSION CONTROL AND SEDIMENTATION PLAN IS A WORKING DOCUMENT AND IS REQUIRED TO BE UPDATED WITHIN 24 HOURS OF ANY CHANGES WHEN BMP'S ARE REPAIRED, RELOCATED OR REMOVED BY NOTING ON THE PLAN THE AREAS AND DATES OF THE REPAIRS, RELOCATIONS OR REMOVALS. AN ACTIVE COPY OF THE PLAN SHALL BE POSTED IN THE JOB SITE TRAILER ONSITE AND MUST BE MAINTAINED CURRENT AT ALL TIMES.
- F. CONTRACTOR SHALL MINIMIZE CLEARING AND EARTH DISTURBANCE TO THE MAXIMUM ACREAGE AS REQUIRED BY THE EPA CONSTRUCTION GENERAL PERMIT.
- G. CONTRACTOR SHALL DENOTE ON THIS PLAN, THE LOCATION OF TEMPORARY PARKING, STORAGE, PORTABLE SANITARY FACILITIES, OFFICE TRAILERS, AND ALL SUPPORT AREAS. RELOCATIONS OF EACH SHALL ALSO BE DOCUMENTED AS THEY OCCUR.
- H. ALL WASH OUT WATER USED FOR CONCRETE, MASONRY, PAINT AND OTHER MATERIALS SHALL HAVE ADEQUATE SIGNAGE WITH PROPER CONTAINMENT AND DISPOSED OF PROPERLY WHEN CAPACITY REACHES 50% OR PER VENDOR RECOMMENDATIONS. VENDORS AND TRADESMEN SHALL BE INFORMED OF THE REQUIREMENTS TO USE THE WASH OUT.
- I. A SPILL KIT SHALL BE READILY AVAILABLE TO CONTAIN AND CLEAN-UP FUEL OR CHEMICAL SPILLS AND LEAKS. A DISCHARGE OF ANY MATERIAL IN A QUANTITY THAT MAY WITHIN REASONABLE PROBABILITY CAUSE, INJURE OR BE DETRIMENTAL TO HUMAN HEALTH, ANIMAL OR PLANT LIFE, OR PROPERTY; OR INTERFERE WITH THE PUBLIC WELFARE MUST BE REPORTED TO THE NEW MEXICO ENVIRONMENTAL DEPARTMENT HOTLINE AT (505) 827-9329 FOR EMERGENCIES OR FOR NON EMERGENCIES AT (866)-428-8535.
- J. IF UNSURE IF THE SPILL IS OF A SIGNIFICANT QUANTITY, THE SPILL SHOULD BE REPORTED TO THE HOTLINE AND INFORMATION PROVIDED WITH DETAILS OF THE SPILL FOR FURTHER ACTIONS.
- K. DUST DURING CONSTRUCTION OPERATIONS SHALL BE FREQUENTLY CONTROLLED BY WATER SUPPRESSION METHODS ONLY. EARTH DISTURBING OPERATIONS SHALL CEASE IF HIGH WINDS ABOVE 35 MPH ARE PRESENT. THE USE OF MOTOR OILS AND OTHER PETROLEUM BASED OR TOXIC LIQUIDS IS STRICTLY PROHIBITED. OTHER CHEMICALS USED FOR DUST SUPPRESSION MUST BE APPROVED BY THE EPA PRIOR TO THEIR USE.
- L. RUBBISH, TRASH, GARBAGE, LITTER, OR OTHER SUCH MATERIALS SHALL BE DEPOSITED INTO SEALED, COVERED, LEAK PROOF CONTAINERS. CONTAINERS SHALL BE DISPOSED OF PROPERLY WHEN CAPACITY IS REACHED. MATERIALS SHALL BE PREVENTED FROM LEAVING THE PREMISES THROUGH THE ACTION OF WIND OR STORMWATER.
- M. ALL STORM WATER POLLUTION PREVENTION MEASURES AND CONTROLS PRESENTED ON THIS PLAN, AND IN THE STORM WATER POLLUTION PREVENTION PLAN, SHALL BE INITIATED PER THE SEQUENCE OF CONSTRUCTION AS NOTED.
- N. DISTURBED PORTIONS OF THE SITE WHERE CONSTRUCTION ACTIVITY HAS BEEN TEMPORARILY SUSPENDED FOR 14 DAYS, SHALL HAVE TEMPORARILY STABILIZATION IN PLACE NO LATER THAN 14 DAYS FROM THE LAST DATE OF CONSTRUCTION ACTIVITY OCCURRING THESE AREAS.
- O. TEMPORARY COVER AND FINAL STABILIZATION (PART 2.2.12 (a) AND (b) RESPECTIVELY ARE TO BE PER COA STD SPEC 1012 NATIVE SEED WITH HYDROMULCH AND AGGREGATE MULCH (2-4") RESPECTIVELY.
- P. IF THE ACTION OF VEHICLES OR EQUIPMENTS TRAVELING OVER THE CONSTRUCTION ENTRANCES IS NOT SUFFICIENT TO REMOVE THE MAJORITY OF DIRT OR MUD FROM LEAVING THE SITE, THEN THE LENGTH OF THE EXIT SHOULD BE EXTENDED TO PROVIDE ADDITIONAL TIRE ROTATIONS. LARGER ROCK MAY BE USED TO CREATE A SUFFICIENT JARRING MOTION OR INSTALL A TIRE WASH OFF WITH A SEDIMENT TRAP BEFORE LEAVING THE SITE.
- Q. ALL MATERIALS SPILLED, DROPPED, WASHED, OR TRACKED FROM VEHICLES ONTO ROADWAYS OR INTO STORM DRAINS MUST BE REMOVED IMMEDIATELY.
- R. THE OPERATOR IN CHARGE OF THE DAILY SITES ACTIVITIES WILL BE RESPONSIBLE FOR REMOVING SEDIMENT OR SOILS ACCUMULATING MORE THAN 50% OF THE DESIGN CAPACITY IN DETENTION PONDS, SILT FENCING OR OTHER SIMILAR EROSION CONTROLS.
- S. ON-SITE & OFFSITE SOIL STOCKPILE AND BORROW AREAS SHALL BE PROTECTED FROM EROSION AND SEDIMENTATION THROUGH IMPLEMENTATION OF BEST MANAGEMENT PRACTICES, AS REQUIRED PER THE CONSTRUCTION GENERAL PERMIT. STOCKPILE AND BORROW AREA LOCATIONS SHALL BE NOTED ON THE ESC PLAN AND PERMITTED IN ACCORDANCE WITH LOCAL AUTHORITIES HAVING JURISDICTIONAL CONTROL.
- T. SLOPES SHALL BE LEFT WITH CROSS SLOPE GRADING PATTERN AND IN A ROUGHENED CONDITION DURING THE GRADING PHASE TO REDUCE RUNOFF VELOCITIES AND EROSION RILLS. EXCESSIVE SLOPES MAY REQUIRE ADDITIONAL INDUSTRY STANDARD CONTROLS TO PREVENT EROSION.
- U. DUE TO THE GRADE CHANGES DURING THE DEVELOPMENT OF THE PROJECT, THE OPERATOR IN CONTROL OF THE SITE'S DAILY ACTIVITIES SHALL BE RESPONSIBLE FOR ADJUSTING AND MAINTAINING ALL EROSION CONTROL TO PREVENT EROSION.
- V. ALL DISTURBED AREAS SHALL BE SUPPRESSED BY WATER AND ALL CONTROLS LEFT IN GOOD WORKING CONDITION AT THE END OF EACH WORKING DAY. THIS INCLUDES REPLACEMENT OF SILT FENCING AND/OR OTHER SURFACE CONTROLS, TRACK OUT SWEEP CLEAN, BACKFILL OF OPEN TRENCHES AND ANY OTHER EROSION CONTROLS.

BMP MAINTENANCE

ALL MEASURES STATED IN THIS EROSION AND SEDIMENT CONTROL PLAN, AND IN THE STORM WATER POLLUTION PREVENTION PLAN, SHALL BE MAINTAINED IN FULLY FUNCTIONAL CONDITION UNTIL NO LONGER REQUIRED FOR A COMPLETED PHASE OF WORK OR UNTIL FINAL STABILIZATION OF THE SITE IS ACHIEVED. ALL EROSION AND SEDIMENTATION CONTROL MEASURES SHALL BE INSPECTED AT THE END OF THE WORKDAY BY A QUALIFIED MEMBER OF THE SWPPP COMPLIANCE TEAM. THE OPERATOR WITH CONTROL OF THE SITES DAILY ACTIVITIES IS RESPONSIBLE TO MAINTAIN, CLEAN AND REPAIR EROSION CONTROLS IN ACCORDANCE WITH THE FOLLOWING:

1. INLET PROTECTION DEVICES AND BARRIERS SHALL BE REPAIRED OR REPLACED, IF THEY SHOW SIGNS OF UNDERMINING OR DETERIORATION. SEDIMENT SHALL BE REMOVED TO INSURE PROPER FLOWS. INLET PROTECTION TYPES MAY NEED TO BE MODIFIED DURING THE CONSTRUCTION PROGRESS.
2. ALL SEEDED AREAS SHALL BE CHECKED REGULARLY TO SEE THAT A GOOD STAND OF VEGETATION IS MAINTAINED. AREAS SHOULD BE FERTILIZED, WATERED, AND RE-SEEDED AS NEEDED.
3. SILT FENCES, WADDLES OR OTHER CONTROLS SHALL BE REPLACED OR REPAIRED TO PROPER FUNCTIONING CONDITION, IF DAMAGED. SEDIMENT AND SOIL SHALL BE REMOVED WHEN REACHES ONE-HALF THE HEIGHT OF THE CONTROL.
4. THE CONSTRUCTION EXITS SHALL BE MAINTAINED IN A CONDITION WHICH WILL PREVENT TRACKING OF SEDIMENT ONTO PUBLIC OR PRIVATE ROADWAYS. THIS MAY REQUIRE PERIODIC TOP DRESSING, EXTENDING OR OTHER MODIFICATIONS TO THE CONSTRUCTION EXITS AS CONDITIONS DEMAND. SITE TRAFFIC SHOULD BE LIMITED TO THE CONTROLLED EXITS ONLY.
5. SEDIMENTATION BASINS SHALL BE MAINTAINED IN OPERATIONAL CONDITIONS AT ALL TIMES. SEDIMENT SHALL BE REMOVED FROM SEDIMENT BASINS OR TRAPS WHEN THE DESIGN CAPACITY HAS BEEN REDUCED BY 50%.
6. REFERENCE THE SWPPP BOOK FOR ALL EROSION CONTROL MAINTENANCE PROCEDURES AND FREQUENCIES. CONSULT THE SWPPP PREPARER WITH ANY QUESTIONS REGARDING THIS SWPPP AND ITS REQUIREMENTS.



EROSION CONTROL NOTES:

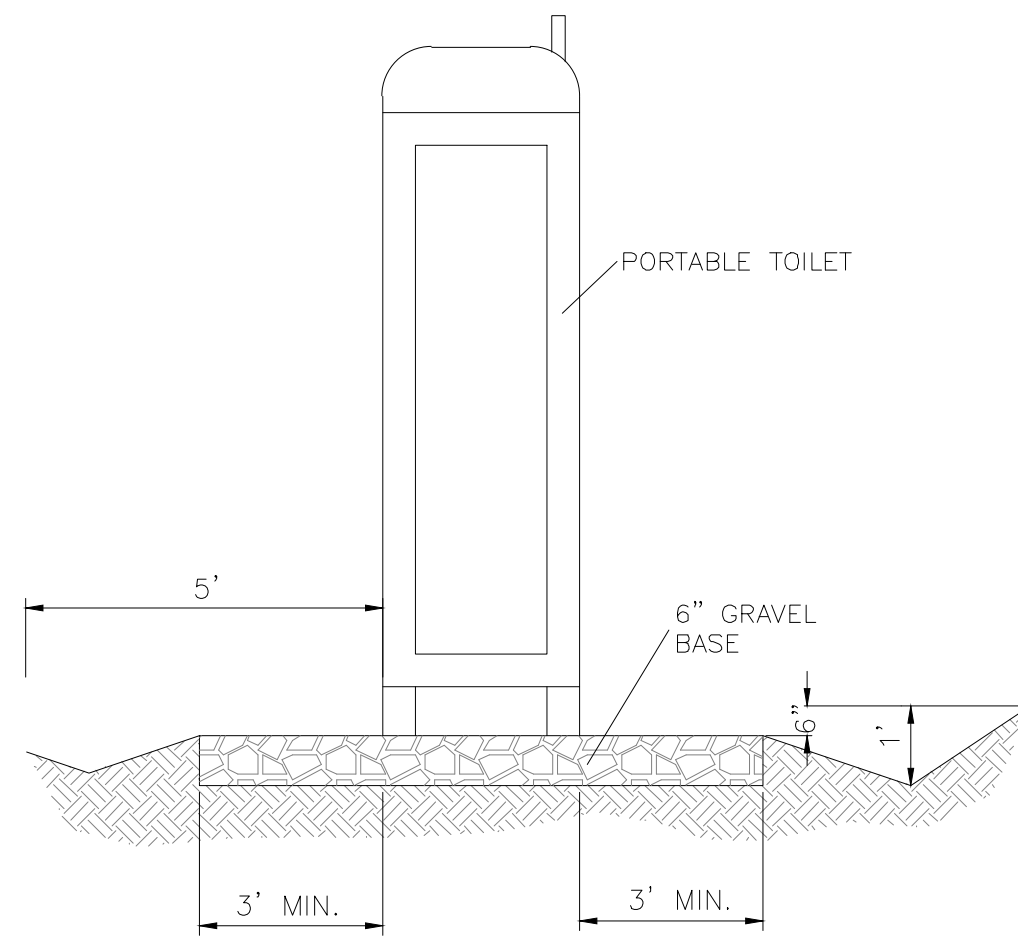
1. CONTRACTOR IS RESPONSIBLE FOR OBTAINING A TOPSOIL DISTURBANCE PERMIT FROM THE LOCAL JURISDICTIONAL AUTHORITY PRIOR TO BEGINNING WORK.
2. THE OPERATOR WITH CONTROL OF THE DAILY SITES ACTIVITIES IS RESPONSIBLE FOR MAINTAINING RUN-OFF and RUN ON OF SITE DURING CONSTRUCTION.
3. THE OPERATOR WITH CONTROL OF THE DAILY SITES ACTIVITIES IS RESPONSIBLE FOR CLEANING ALL SEDIMENT THAT GETS INTO EXISTING RIGHT-OF-WAY. REPAIR OF DAMAGED FACILITIES AND CLEANUP OF SEDIMENT ACCUMULATIONS ON ADJACENT PROPERTIES AND IN PUBLIC FACILITIES IS THE RESPONSIBILITY OF THE CONTRACTOR.
4. ALL EXPOSED EARTH SURFACES MUST HAVE APPROPRIATE CONTROLS TO PROTECT FROM WIND AND WATER EROSION DURING ALL PHASES OF THE PROJECT.
5. STOCKPILES INACTIVE FOR 14 DAYS ARE REQUIRED TO HAVE TEMPORARY STABILIZATION OR APPROPRIATE COVER TO CONTROL WIND AND WATER EROSION.
6. THE OPERATOR WITH CONTROL OF THE DAILY SITES ACTIVITIES IS REQUIRED TO MAINTAIN ALL SITE BMP'S IN GOOD CONDITION FOR THE DURATION OF THE PROJECT UNTIL A NOTICE OF TERMINATION IS ACCEPTED BY THE EPA.
7. IF SITE EARTH DISTURBANCES EXCEED 5 ACRES AT ANY ONE TIME, TEMPORARY AND/OR PERMANENT STABILIZATION MUST BE COMPLETED WITHIN 7 DAYS WHEN AREA BECOMES INACTIVE OR EARTH DISTURBING ACTIVITIES ARE COMPLETE. SITE EARTH DISTURBANCES OF LESS THAN 5 ACRES, HAVE 14 DAYS TO PROVIDE TEMPORARY OR PERMANENT STABILIZATION WHEN AREA BECOMES INACTIVE OR EARTH DISTURBING ACTIVITIES ARE COMPLETE.

GENERAL NOTES:

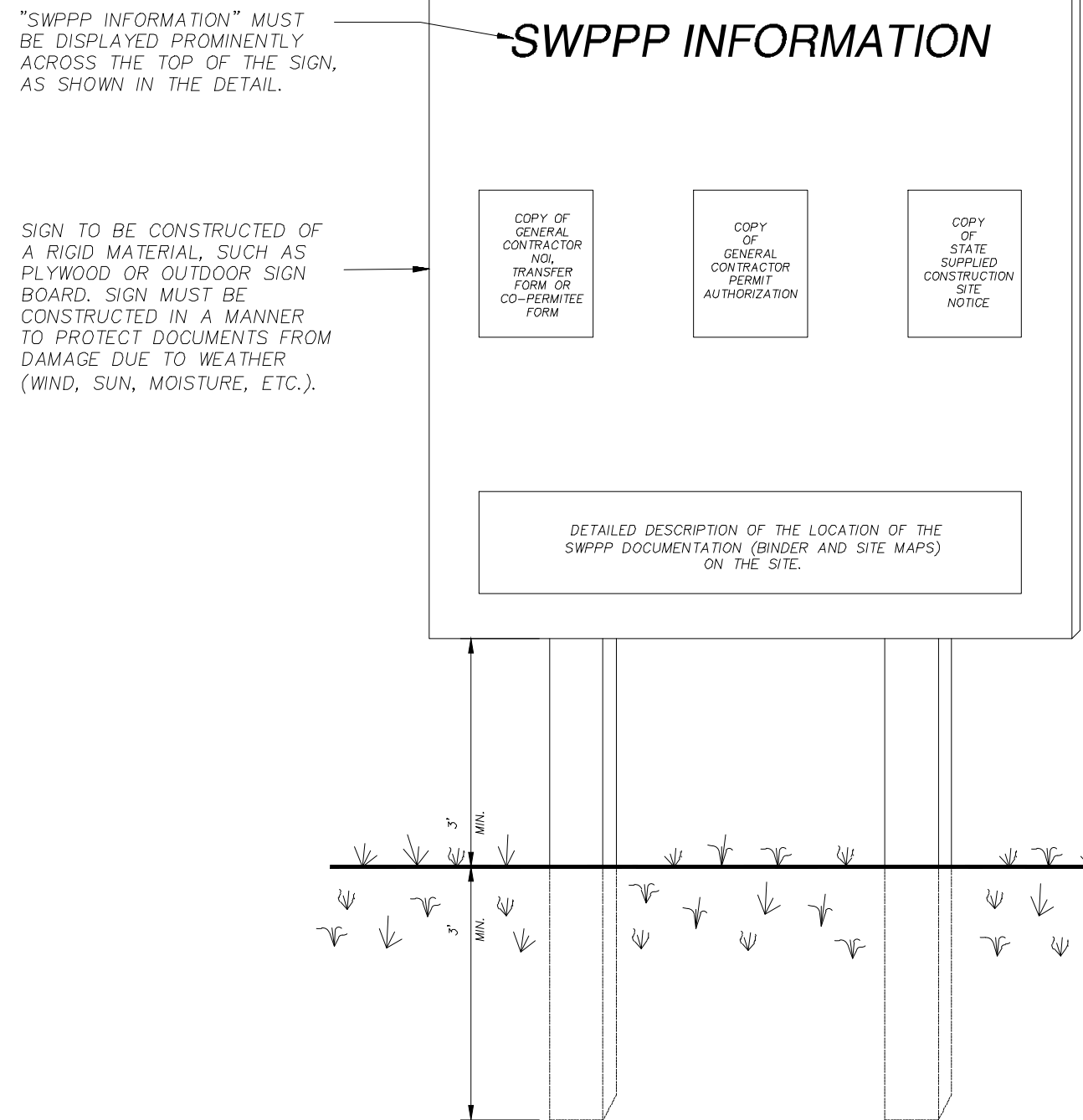
1. PROVIDE POSITIVE DRAINAGE TOWARDS SEDIMENT TRAPS DURING GRADING OPERATIONS.
2. INSTALL WATTLES ALONG LINEAR CONSTRUCTION OF STORM DRAIN
3. PROVIDE POSITIVE DRAINAGE TO TEMPORARY SEDIMENT BASIN DURING ALL GRADING ACTIVITIES

\\TWNAS\Z_Drive\2023\2023103 Mesa Del Sol Innovation Park Pending\dwg\Construction\2023103_SWPPP.dwg Jan 28, 2026 10:53am

 RONALD R. BOHANNAN P.E. #7868	KAIROS POWER ALBUQUERQUE, NM	DRAWN BY LN
	ESC NOTES	DATE 01/28/2026
		2023103_SWPPP
	 TERRA WEST, LLC 5571 MIDWAY PARK PLACE NE ALBUQUERQUE, NM 87109 (505) 858-3100 www.tierrowestllc.com	SHEET # SWP-2
		JOB # 2023103



PORTABLE TOILET CONTAINMENT DETAIL

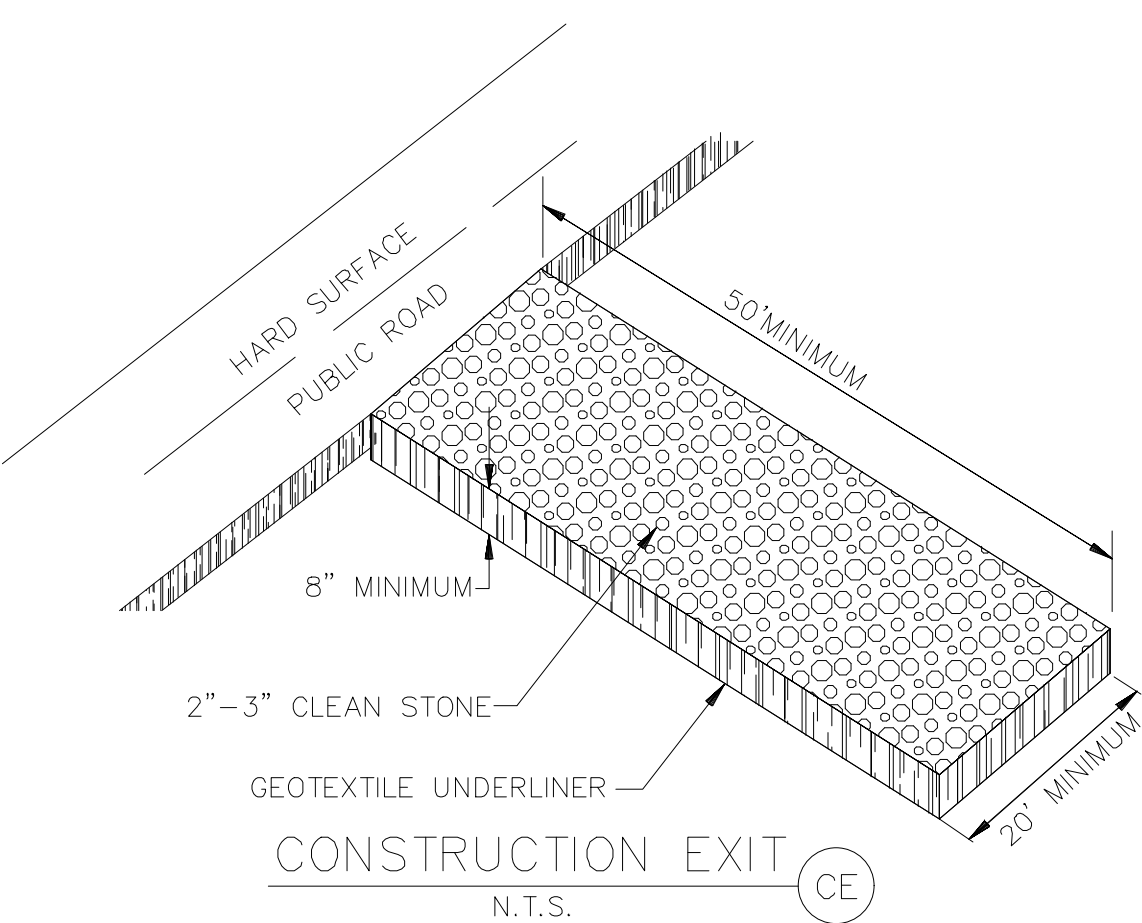


"SWPPP INFORMATION" MUST BE DISPLAYED PROMINENTLY ACROSS THE TOP OF THE SIGN, AS SHOWN IN THE DETAIL.

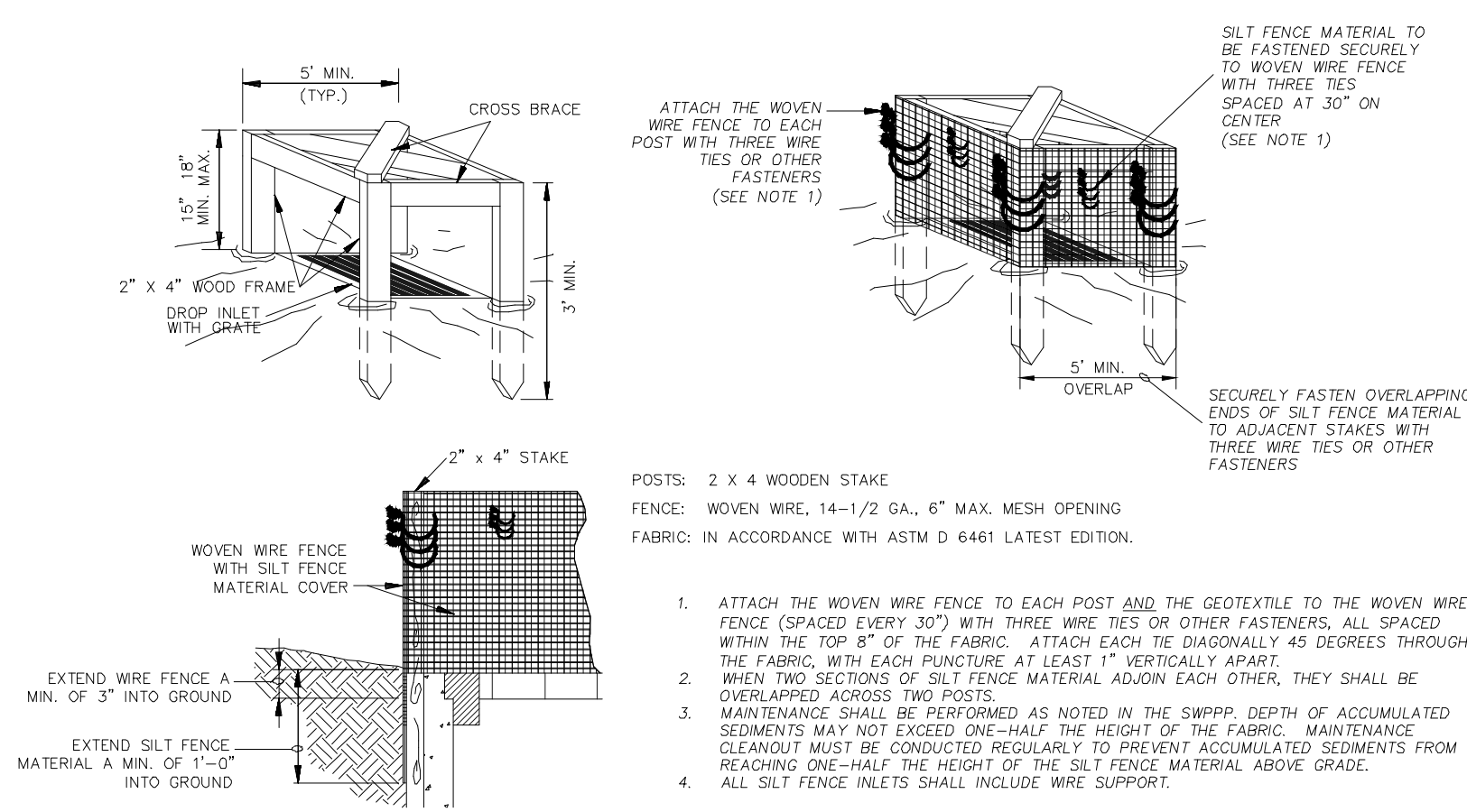
SIGN TO BE CONSTRUCTED OF A RIGID MATERIAL, SUCH AS PLYWOOD OR OUTDOOR SIGN BOARD. SIGN MUST BE CONSTRUCTED IN A MANNER TO PROTECT DOCUMENTS FROM DAMAGE DUE TO WEATHER (WIND, SUN, MOISTURE, ETC.).

- NOTES:
- 1) THE SWPPP INFORMATION SIGN MUST BE LOCATED NEAR THE CONSTRUCTION EXIT OF THE SITE, SUCH THAT IT IS ACCESSIBLE AND VIEWABLE BY THE GENERAL PUBLIC, BUT NOT OBSTRUCTING VIEWS AS TO CAUSE A SAFETY HAZARD.
 - 2) ALL POSTED DOCUMENTS MUST BE MAINTAINED IN A CLEARLY READABLE CONDITION AT ALL TIMES THROUGHOUT CONSTRUCTION AND UNTIL THE NOTICE-OF-TERMINATION (NOT) IS FILED FOR THE PERMIT.
 - 3) CONTRACTOR SHALL POST OTHER STORM WATER AND/OR EROSION AND SEDIMENT CONTROL RELATED PERMITS ON THE SIGN AS REQUIRED BY THE GOVERNING AGENCY.
 - 4) SIGN SHALL BE LOCATED OUTSIDE OF PUBLIC RIGHT-OF-WAY AND EASEMENTS UNLESS APPROVED BY THE GOVERNING AGENCY.
 - 5) CONTRACTOR IS RESPONSIBLE FOR ENSURING STABILITY OF THE SWPPP INFORMATION SIGN.

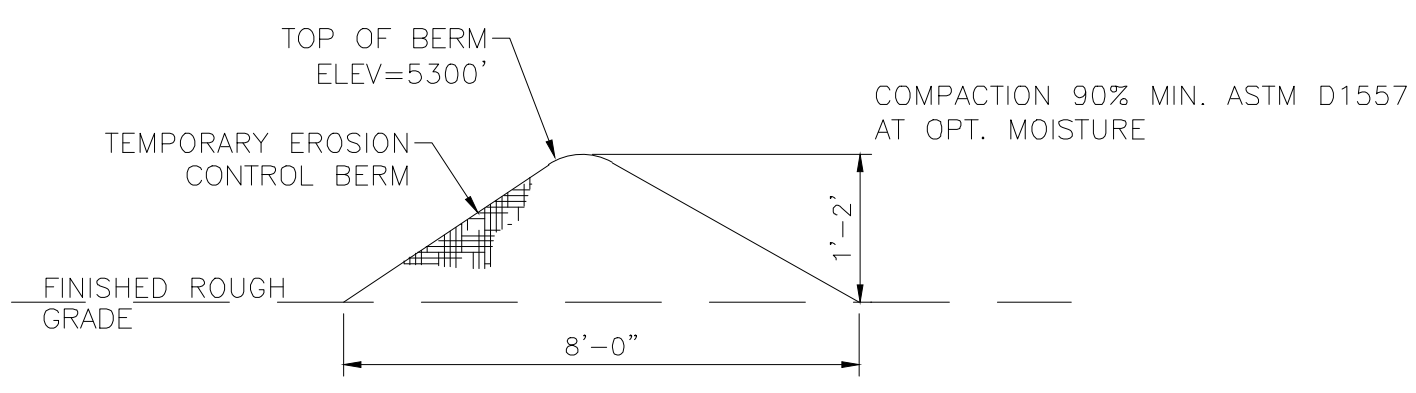
SWPPP INFORMATION SIGN (SS) N.T.S.



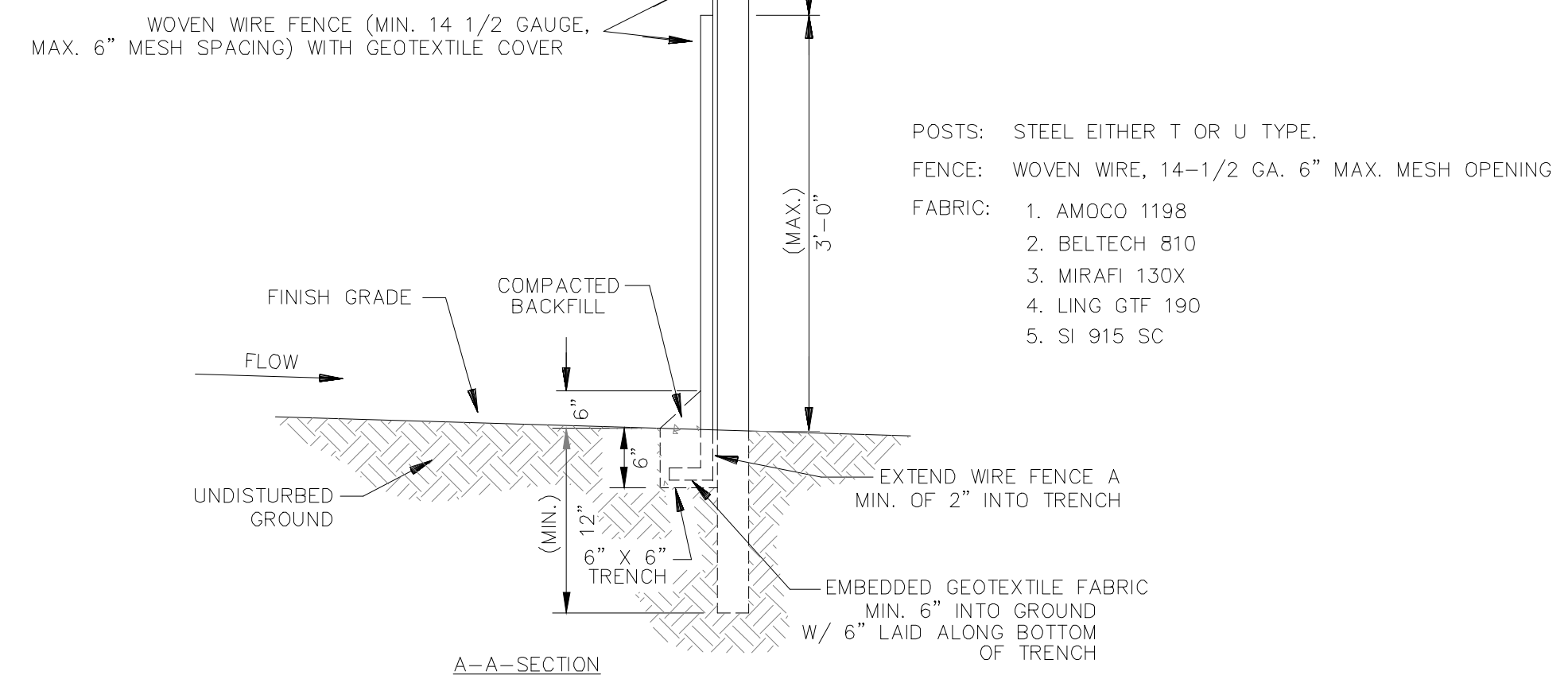
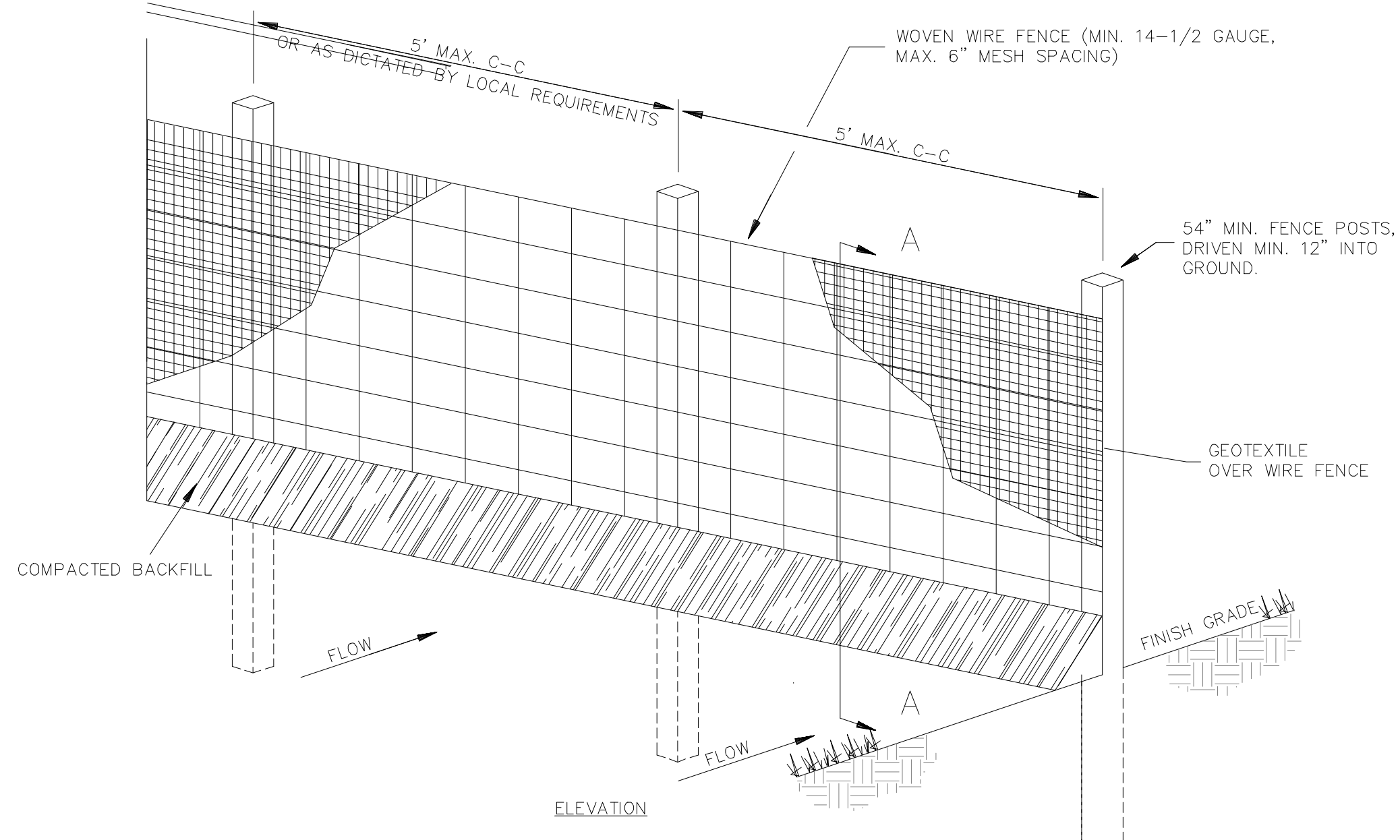
CONSTRUCTION EXIT (CE) N.T.S.



SILT FENCE INLET PROTECTION (IP6) N.T.S.



EROSION CONTROL BERM DETAIL (NTS)



1. WOVEN WIRE FENCE TO BE FASTENED SECURELY TO FENCE POSTS WITH WIRE TIES.
2. GEOTEXTILE TO BE FASTENED SECURELY TO WOVEN WIRE FENCE WITH TIES SPACED EVERY 24" AT TOP AND MID SECTION.
3. WHEN TWO SECTIONS OF GEOTEXTILE ADJOIN EACH OTHER THEY SHALL BE OVERLAPPED BY SIX INCHES AND FOLDED.
4. MAINTENANCE SHALL BE PERFORMED AS NOTED IN THE EROSION CONTROL PLAN. COLLECTED MATERIAL SHALL BE REMOVED WHEN "BULGES" DEVELOP IN THE SILT FENCE.
5. ALL SILT FENCE SHALL INCLUDE WIRE SUPPORT UNLESS INDICATED OTHERWISE

SEDIMENTATION/SILT FENCE WITH WIRE SUPPORT (SF) N.T.S.

	KAIROS POWER ALBUQUERQUE, NM	DRAWN BY LN
	ESC DETAILS	DATE 01/28/2026
TIERRA WEST, LLC 5571 MIDWAY PARK PLACE NE ALBUQUERQUE, NM 87109 (505) 858-3100 www.tierrowestllc.com		SHEET # SWP-3
		JOB # 2023103

\\TMSAS\Z_Drive\2023\2023103 Mesa Del Sol Innovation Park Ponding.dwg Construction\2023103_SWPPP.dwg Jan 28, 2026 10:53am