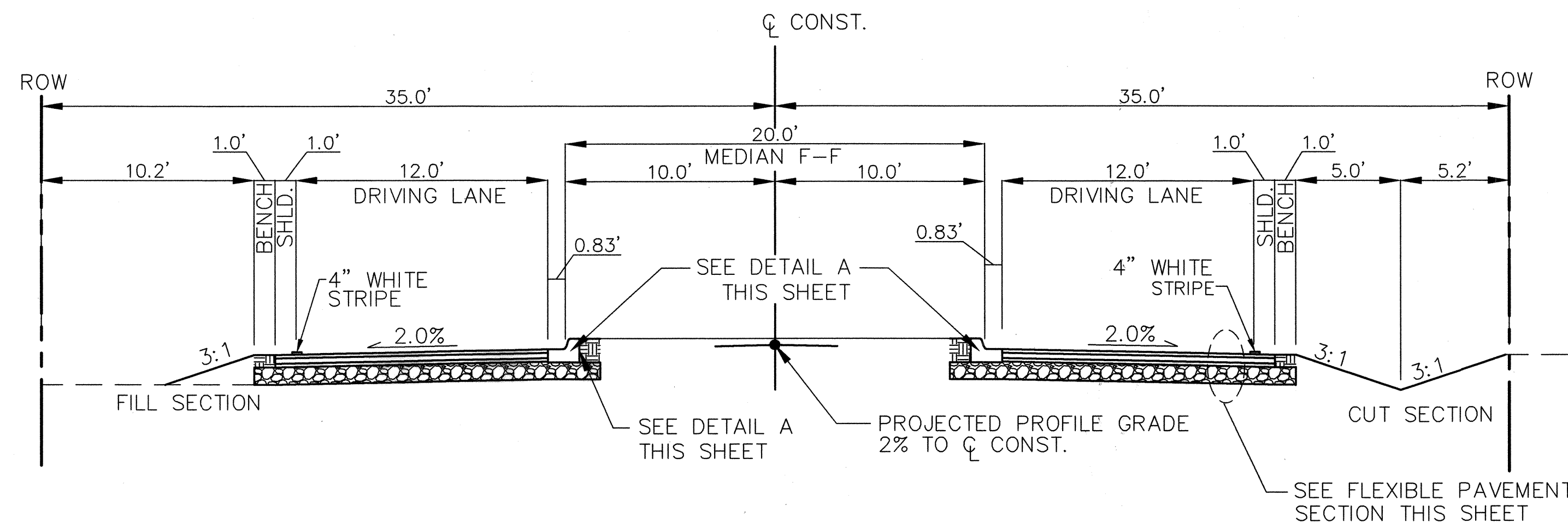


PASEO DEL NORTE WEST
STA 12+00 TO STA 62+50

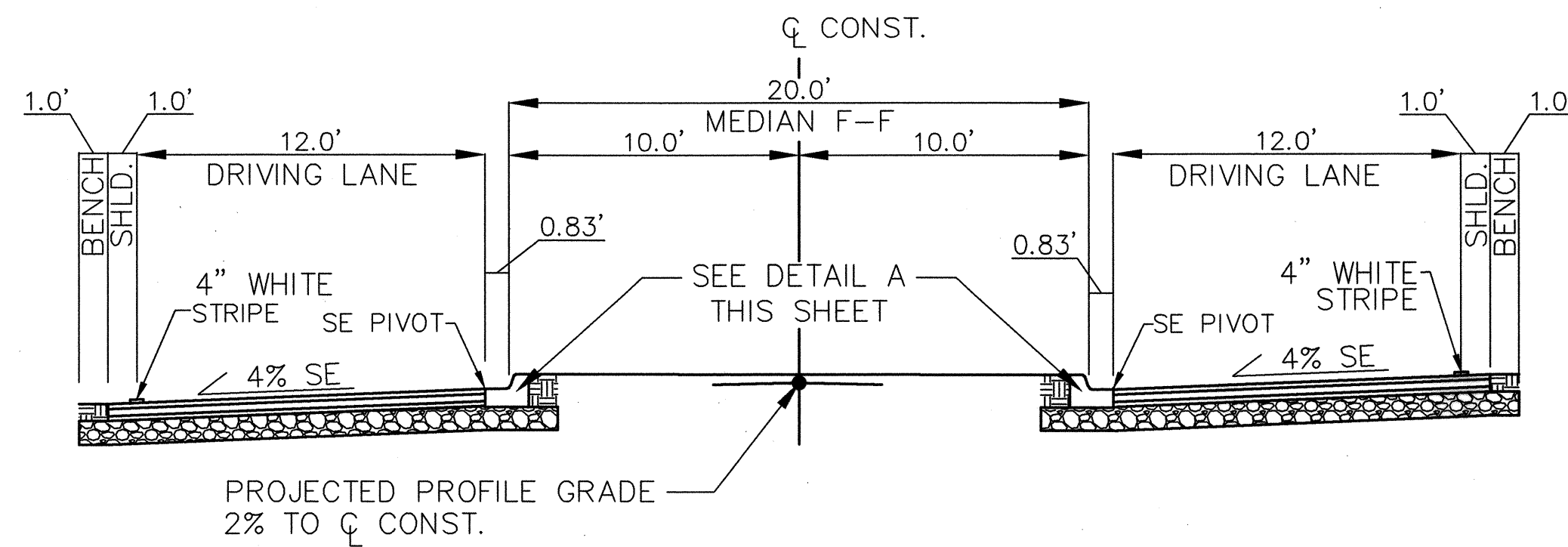
CLASSIFICATION = PRINCIPAL ARTERIAL
DESIGN SPEED = 50 MPH
 $e_{max} = 4\%$



PASEO DEL NORTE WEST TYPICAL SECTION - A

SCALE: 1"=5'

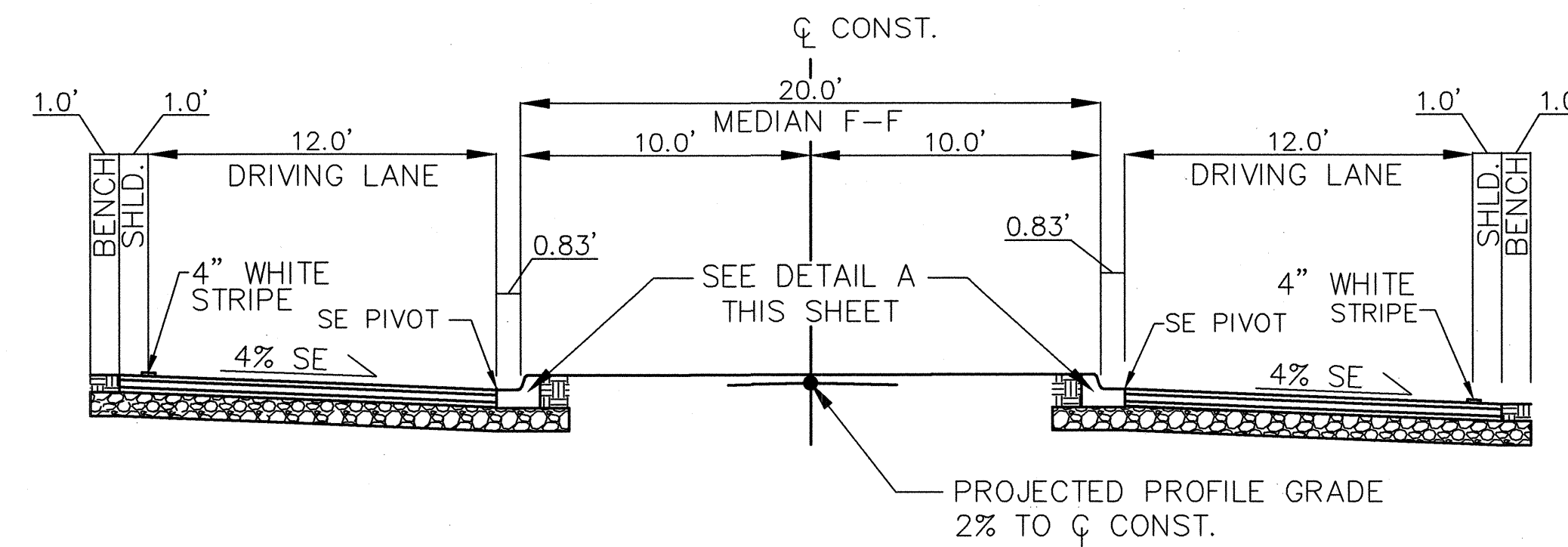
STA 16+50.00 TO STA 62+50.00 - SEE SUPERELEVATION SECTIONS BELOW
STA 16+50 TO STA 21+00 - SEE DETAIL FOR MEDIAN C&G AT SHOULDER RT ONLY ON SHEET 2-2
STA 16+50 TO STA 21+00 - 4' WIDE SHOULDER LT*
STA 19+00 TO STA 23+00 - SEE DETAIL FOR MEDIAN C&G AT SHOULDER LT ONLY ON SHEET 2-2
STA 45+00 TO STA 47+00 - SEE DETAIL FOR MEDIAN C&G AT SHOULDER LT & RT ON SHEET 2-2
STA 49+00 TO STA 51+00 - SEE DETAIL FOR MEDIAN C&G AT SHOULDER LT ONLY ON SHEET 2-2
STA 42+00 TO STA 45+50 - NO C&G IN MEDIAN, CONTINUE PAVEMENT SECTION THROUGH TO PROJECTED PG, SEE DETAIL ON SHEET 2-2
STA 62+50.00 SEE TYPICAL SECTION - B



PDN WEST TYPICAL SUPERELEVATION SECTION - CURVE LEFT

SCALE: 1"=5'

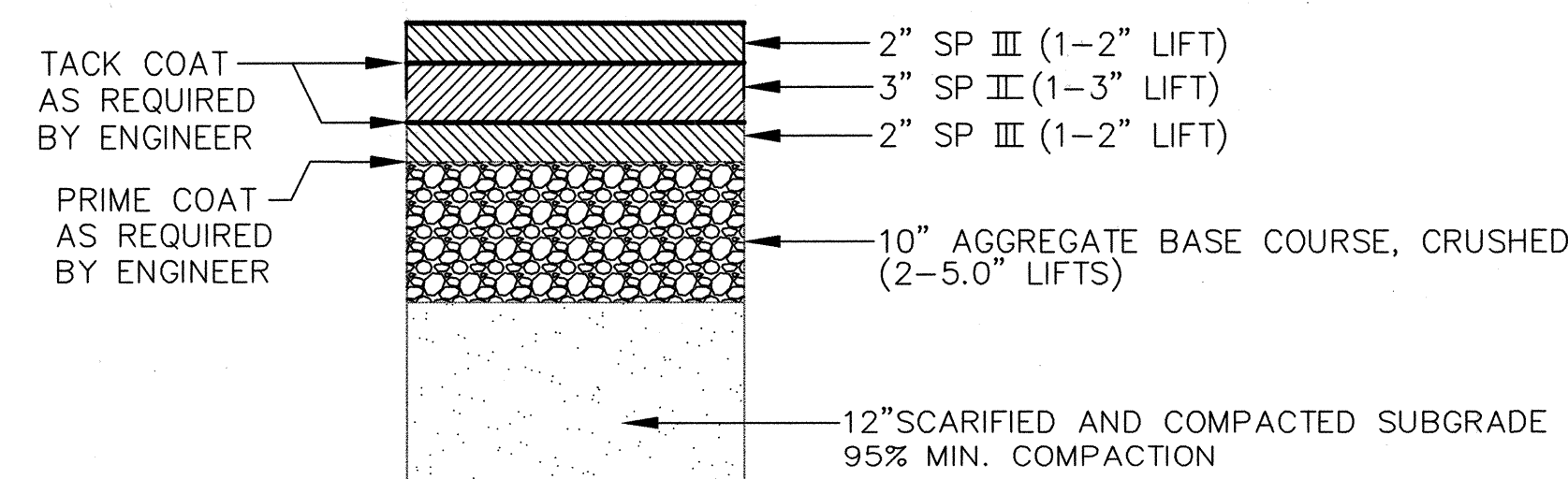
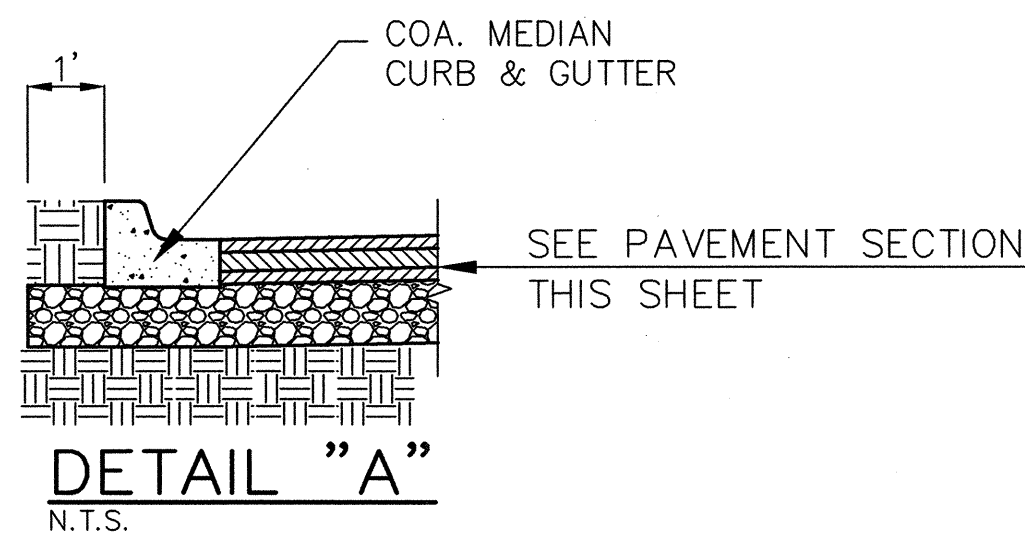
STA 57+24.53 TO STA 62+50.00



PDN WEST TYPICAL SUPERELEVATION SECTION - CURVE RIGHT

SCALE: 1"=5'

STA 15+43.07 TO STA 22+64.53



FLEXIBLE PAVEMENT SECTION

N.T.S.

AS-BUILT INFORMATION		BENCH MARKS		SURVEY INFORMATION		ENGINEER'S SEAL	
CONTRACTOR	SAIUS Bros.	THE STA. IS A 3" ALUMINUM CAP STAMPED ACS 1-C11	1986 SET FLUSH IN THE LAVA OUTCROP. THE STA IS LOCATED 6.85 MI. N.W. OF D.T. ALBQ. TO REACH THE STA FROM I-40 & COORS RD. GO N. ON COORS 3.25 MI. TO MONTANO RD. TURN W. ON MONTANO AND GO 0.5 MI. TO TAYLOR RANCH DR. TURN N. & GO 1.5 MI. TO CALLE NORTENA. TURN W.-N.W. & GO 0.1 MI. TO RIDGEWAY DR., THE STA. IS N.E. OF THIS POINT.	NO.	DATE		NO. DATE REVISIONS WILSON & COMPANY, ENGINEERS & ARCHITECTS DESIGNED BY SGC DATE FEB 2007 DRAWN BY ELO DATE FEB 2007 CHECKED BY DDM DATE FEB 2007
DATE	1/08	NO.	DATE	NO.	DATE		

CITY OF ALBUQUERQUE
DEPARTMENT OF MUNICIPAL DEVELOPMENT
TRANSPORTATION DIVISION

**PASEO DEL NORTE WEST
PROPOSED TYPICAL SECTIONS**

Design Review Committee	City Engineer Approval	Mo./Day/Yr.	Mo./Day/Yr.
APPROVED FEB 09 2007 DESIGN REVIEW COMMITTEE	APPROVED FEB 09 2007 CITY ENGINEER		
City Project No. 705003	Zone Map No. B-10,C-10,C-11	Sheet 2-1	

WILSON & COMPANY